

**ENERGETICS
PR 11.0**



ENGLISH MANUAL

When using this product, basic precautions should always be followed, including the following:
Please read the instruction carefully before starting to use this product.

Danger – To reduce the risk of electric shock:

1. Always unplug this product from the electrical outlet immediately after using and before cleaning.

Warning – To reduce the risk of burns, fire, electric shock, or physical injury:

1. The product should never be left unattended while plugged in. Unplug the product from the outlet when not in use.
2. Close supervision is necessary when this product is used by or near children, invalids, or disabled persons.
3. Be sure to use the product only for its intended use as described in this manual. Do not use any attachment not recommended by the manufacturer in order to avoid any danger or accidents.
4. Never operate the product if it has a damaged cord or plug, if it is not working properly, if it has been damaged, or dropped into water. Please return the product to the service center of seller for examination and repair.
5. Do not carry this product by the supply cord or use the cord as a handle.
6. Keep the cord away from hot surfaces or ground.
7. Never operate the product with the air vents blocked. Keep the air vents free of lint, hair, etc.
8. Never drop or insert any objects into any openings.
9. Do not use or operate outdoors.
10. Do not operate where aerosol (spray) products are being used or where oxygen is thin.
11. Before turning the product power off, turn all controls to the off position then remove the plug from the outlet.
12. Connect the product to a properly grounded outlet only.
13. If the treadmill is foldable, when user finishes using the treadmill, the elevation needs to be back to original position.
14. When user is using the treadmill, it cannot be folded at the same time.
15. Keep a safety zone of 2000mm x 1000mm away from the treadmill.
16. This machine is only intended for household use.
17. For the treadmill with folding function and electric elevation, be sure that the elevation is 0 before folding (To avoid interference of the components).
18. Stop using the treadmill if you feel faint, dizzy, or short of breath.
19. Wear appropriate exercise clothes when using the treadmill. Do not wear loose clothes that could become caught in the treadmill. Athletic support clothes are recommended for both men and women. Always wear athletic shoes. Never use the treadmill with bare feet, wearing only stockings, or in sandals.



Please read all precautions and instructions in this manual in detail before using this equipment. Save this manual for future reference.

GROUNDING INSTRUCTIONS

The products must be grounded first. If malfunction or breakdown occurs, grounding will provide a path of least resistance for electric current to reduce the risk of electric shock.

The product is equipped with a cord having an equipment-grounding conductor and a grounding plug.

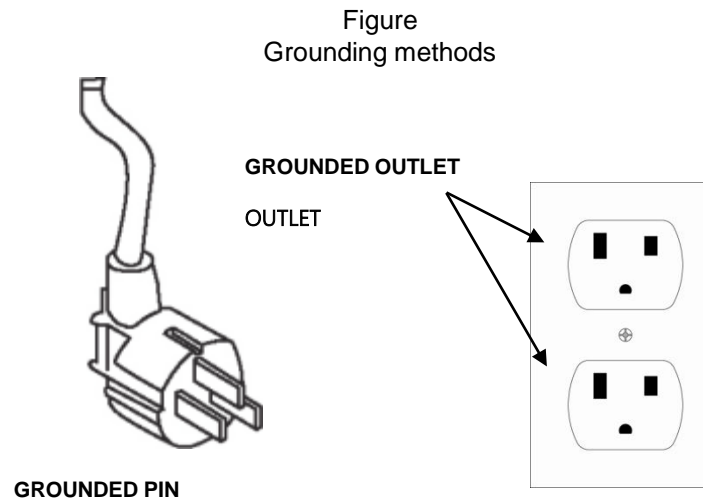
The plug must be plugged into an appropriate outlet that is properly installed and grounded in accordance with all local codes and ordinances.

Danger – Improper connection of the equipment-grounding conductor can result in a risk of electric shock.

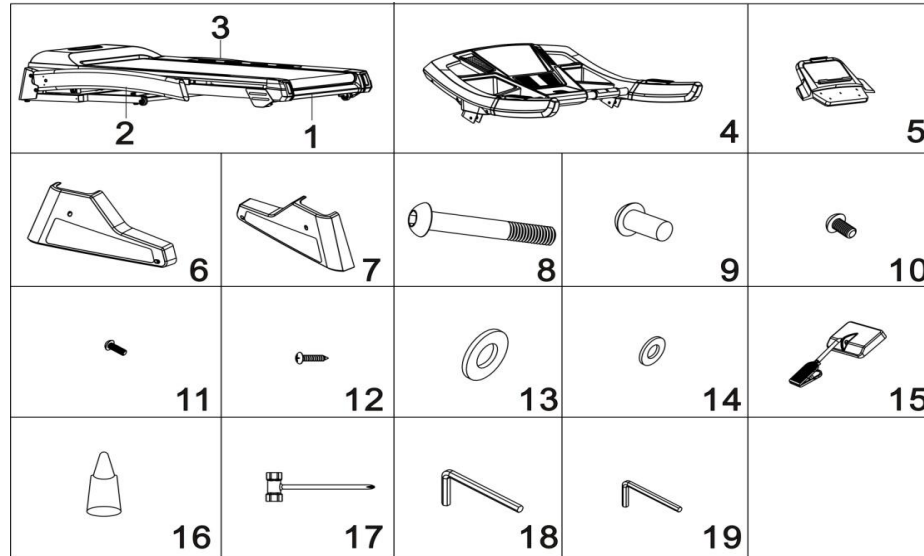
Check with a qualified electrician or serviceman if you are in doubt as to whether the products are properly grounded. Do not modify the plug provided with the product – if it will not fit the outlet, have a proper outlet install by a qualified electrician.

The products is for use on nominal 220-240 volt and has a grounding plug that looks like the plug illustrated in the figure . Make sure that the product is connected to an outlet having the same configuration as the plug.

There is no need to use any adapter for this product.

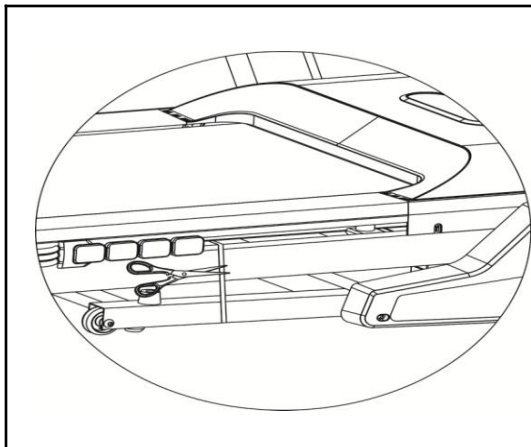


OPEN THE BOX YOU CAN FIND THE ALL PARTS AS BELOW.



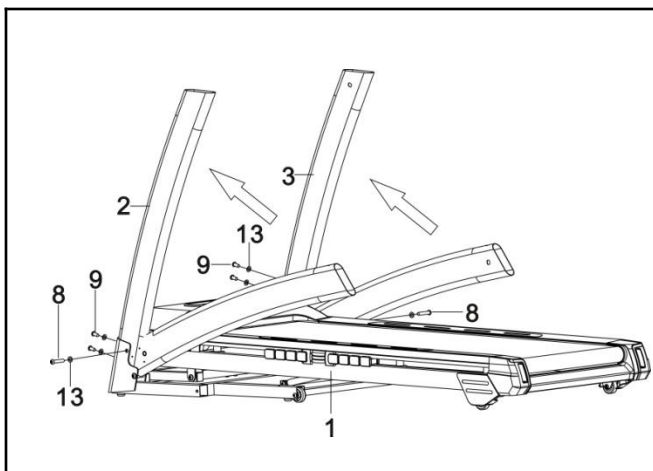
Part list					
No.	Description	Quantity	No.	Description	Quantity
1	Main Frame	1	11	Screw M5*12	4
2	Left upright	1	12	Screw M4*15	4
3	Right upright	1	13	Flat washer M10	6
4	Console	1	14	Flat washer M8	4
5	IPAD rack	1	15	Safety key	1
6	Base cover-Right	1	16	Silicon oil	1
7	Base cover-Left	1	17	Screw Driver	1
8	Bolt M10*55	2	18	Allen wrench 6mm	1
9	Bolt M10*20	4	19	Allen wrench 5mm	1
10	Bolt M8*15	4			

STEP 1



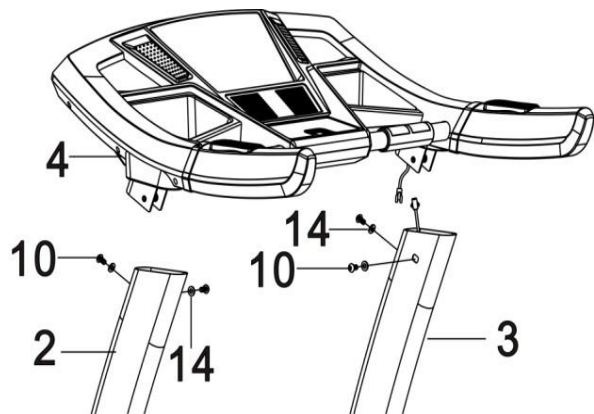
1. Please note that this treadmill need at least 2 people to finish assembly.
 2. Open the carton box, and take out all the protection foam and assembly parts.
 3. As the photo shows, take out the running deck from the box, lay it on the flat floor, and then cut the belt.
- Tips: The console plastic housing is packed in a box, which put under the running deck. Please take care of it when taking out the running deck.

STEP 2



1. Lift up the left and right upright, and then use the 6# wrench (18) to install each upright onto base with 2 pcs M10x55 bolt (8) and 2 pcs flat washer (13), 2 pcs M10x20 bolt (9) and 2 pcs M10 washers (13) on the other side.
2. Do not tightly fasten all the bolts and screws at this step.

STEP 3

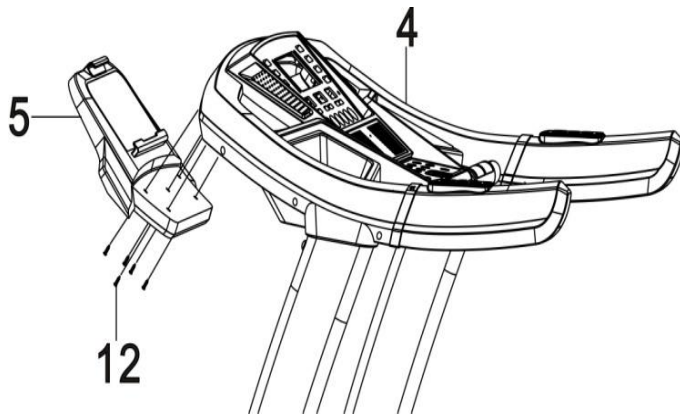


1. Connect the cable extent from console with the cable extent from right upright. Pay attention to the connection of the cable, a wrong connection or rough operation would cause damage of the connector.

2. Use the 5# wrench (19) to install the console to the left and right upright with each 4 pcs M8x15 bolts (10) and 4pcs M8 washers (14).

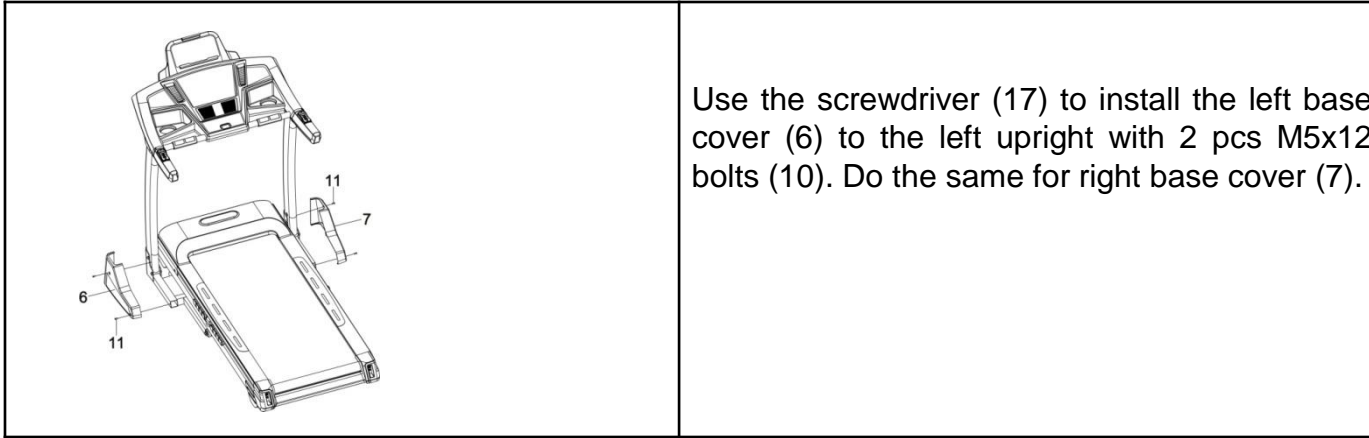
3. Tightly fasten all the bolts at step 2 and step 3.

STEP 4



Use the screwdriver (17) to install the IPAD rack(5) onto the console with 5pcs bolt M4*15(12).

STEP 5



NOTE: For your safety and comfort, please check if all screws are fastened. Congratulations! A brand new motorized treadmill has been successfully assembled!

GENERAL SAFETY TIPS

- A. Practice mounting and dismounting your treadmill before beginning your workout.
- B. Attach the Safety Key to the Computer (the treadmill will not operate without the Safety Key). Clip the other end of the Safety Key to your clothing before exercising to ensure the treadmill will stop if the user accidentally walks off the Treadmill.
- C. If the user falls off the Treadmill, the Safety Key will come off the Computer and the treadmill will stop at once to avoid further injury.
- D. Do not stand on the Walking Belt while starting the Treadmill. Straddle the Belt and stand on the plastic Foot Rails.
- E. The Treadmill will start at 1.0KM/H after countdown. If you are a new user, stay at a slow speed and hold onto the Hand Grips until you become comfortable.

QUICK REFERENCE GUIDE



DISPLAY FUNCTION

TIME: Accumulates total workout time from 0:00 to 99:00 minutes.

PULSE: When pulse signal is detected by grasping both stainless steel pick-ups on front handrails, it will display your current heart rate in beats per minute from 50 to 200.

INCLINE: Displays the current deck incline from starting at level 1 to 15.

SPEED: Displays the current belt speed from starting at 1.0Km/h to 20.0Km/h.

CALORIE: Accumulates calorie consumption during exercise. Max. Value is 990 KCAL.

DISTANCE: Accumulates total workout distance from 0.0 to 99.0 kilometers by count-up.

Accumulates total workout distance from 0.0 to 99.0 kilometers by count-down.

GETTING STARTED

NOTES:

1. Check to make sure nothing is on or will hinder the movement of the treadmill.
2. Plug in the power cord and turn the treadmill ON.
3. Stand on the foot rails of the treadmill.
4. Attach the safety key clip to part of your clothing.
5. Put the safety key into the safety key hole in the console, and then the treadmill will be on start/ready status.
6. You have two options to start your workout:

A.QUICK START

Simply press the START button to begin working out.

B.SELECT A PROGRAM

Select manual program by pressing MODE button or pressing PROGRAM buttons to enter manual program, 8 training goals or 3 user programs.

QUICK-START OPERATION

STEP 1: Attach the Safety key to wake display up; the treadmill then will be on start/ready status.

STEP 2: Press the START button to begin belt movement after count-down. Use the SPEED +/- or QUICK SPEED buttons to adjust the desired speed at any time during training; use the INCLINE +/- or QUICK INCLINE buttons to adjust the incline at any time during training.

STEP 3: To get a pulse reading, simply grasp stainless steel pick-ups on handrails. It may take a few seconds for the display to reach the actual number. The pulse rate will be displayed on PULSE window.

STEP 4: During quick-start operation, TIME, CALORIE and DISTANCE will count up.

MANUAL PROGRAMS OPERATION

NOTES: Under this program, one of **DISTANCE**, **CALORIE** and **TIME** can be set count-down for your workout, the others will count up during your workout, after one count-down reach zero, program will be ended and stop the belt movement, if you need to continue, press the **START** button to begin belt movement after count-down.

STEP 1: Attach the Safety key to wake display up; the treadmill then will be on start/ready status.

STEP 2: Press **MODE** button, the **TIME** window will display 30:00, press **SPEED +/-** button to set count-down **TIME** from 5:00 minutes to 99:00 minutes.

If you do not like to set **TIME** for count-down and pass to others, press **MODE** again, the **DIST** window will display 1.0, you can set count-down **DISTANCE** from 1.0KM - 99.0KM.

If you do not like to set **DISTANCE** for count-down and pass to others, press **MODE** again, the **CAL.** window will display 50, you can set count-down **CALORIE** from 20 **KCAL** to 990 **KCAL**.

STEP 3: After finishing setting count-down for your workout, press **START** to begin belt movement after count-down.

STEP 4: During the program you can adjust the speed and incline by pressing **SPEED +/-** and **INCLINE +/-** buttons, or **QUICK SPEED** and **QUICK INCLINE** buttons to jump directly to a setting.

STEP 5: Press **STOP** button to stop your workout or pull safety key away from its position to shut down the computer.

PRESET PROGRAMS OPERATION

NOTES:

All the preset programs are made up with 18 time-based segments; the speed and incline are preset on each segment. The elapse time of 18 segments on each program will be automatically arranged according to the time you set for your workout time. There are 64 preset programs for 8 different training goals, and 8 different intensity levels on each training goals.

STEP 1: Attach the Safety key to wake display up; the treadmill then will be on start/ready status.

STEP 2: Press **PROGRAM** button to scroll through the 8 training goals, and **BODY FAT** function. A training goal will be selected once you press **PROGRAM** button. After selecting a training goal, press **MODE** button to select a intensity from L1 to L8. After selecting a intensity, then press **SPEED +/-** buttons to modify the elapsing time. The pre-set elapsing time of each program is 30:00 minutes, and it can be set from 5:00 to 99:00 minutes.

STEP 3: After modifying the elapsing time, press **START** button to accept and begin your workout.

STEP 4: During procession of program you can adjust the **SPEED & INCLINE** by pressing **SPEED +/-** and **INCLINE +/-** buttons, or use **QUICK SPEED** and **QUICK INCLINE** buttons to jump directly to a setting. However, the **SPEED** and **INCLINE** you adjust will only be effective on the ongoing segment, after the segment finished, the **SPEED** and **INCLINE** will process with preset values.

STEP 5: Press **STOP** button to stop your workout or pull safety key away from its position to shut down the computer.

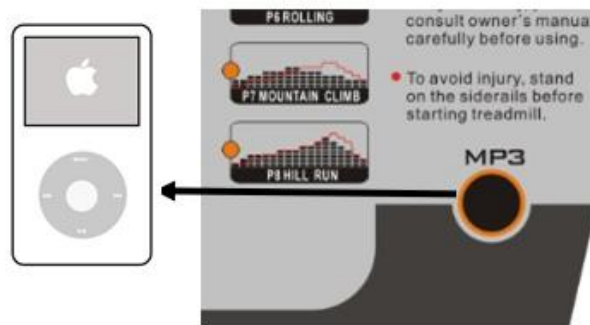
USING THE PULSE FUNCTION

The PULSE Window on your Computer works in conjunction with the Pulse Sensors on both handrails. When you are ready to read your pulse:

1. Place both hands firmly on the Pulse Sensors. For the most accurate reading, it is important to use both hands.
2. Your estimated heart rate will display in the PULSE window approximately 5 seconds after you grasp the Pulse Sensors.
3. This estimate is not exact and persons with medical conditions and/or a specific need for accurate heart rate monitoring should not rely on the estimations provided.

USING THE AUDIO FUNCTION


As the figure shows, plug one end of the audio cable to the audio jack on computer, and then plug the other end of the audio cable to MP3 player. The speaker on the computer will then play the music from MP3 player. The volume of speaker can only be adjusted by MP3 player.




BUILD-IN MP3 PLAYER


The computer have build-in MP3 player function, it can be operated with following instruction:

Turn on the power of treadmill, attach the Safety key to wake display up, and then plug-in USB flash, then the build-in MP3 player will play the music file in the flash.

Press  button will decrease the voice of speaker.

Press  button will increase the voice of speaker

Press  button play next music

Press  button to play previous music, press this button down .

CONNECT SMART PHONE

If the treadmill have the bluetooth function, then connect the smart phone as follow steps:

STEP1: Turn on the Bluetooth of the smart phone, search the device, and click to connect the devices when RUN MUSIC appears.

STEP2: After the connection, the voice of smart phone will be played by the speaker on the computer.

It is compatible with the app **I Console+** with real routes and maps, interactive workout videos and data file of your training.

Download on your smartphone or tablet the app I Console+ via Google Play for Android and via APP Store for IOS or by using the QR code below.

iConsole Global



- 【1】 Log in to the iConsole application and after creating your personal account click on "GET STARTED" located on the top right.
- 【2】 Tap any of the programs and a login window will immediately appear where you will need to connect the iConsole application to the treadmill.
- 【3】 Tap the matching devices like 'iConsole-XXXX' (X means random digit) to pair;

Supported versions for iConsole:

-For Android devices: 5.0 or later.

-Requires iOS : 11.0 or later. Compatible with iPhone, iPad, and iPod touch.

It is compatible with the app **Kinomap** (subscription required). Download the Kinomap app on your smartphone or tablet . (Google Play for Android & APP Store for IOS).

Train all around the world with interactive videos and routes and the treadmill will automatically adjust the slope based on the route of your choice.

Explore the world, monitor your performance, share your experience with the whole Kinomap community.

Invite and compete with other users of the Kinomap APP or you can also train by yourself and try to compete and surpass your own previous performances.

Search, download & install Kinomap over Apple Store or Google Play depending on your smartphone system.

- 【1】 Enter Kinomap to select [More] page;
- 【2】 Select to add more fitness equipment;
- 【3】 Select and click treadmill icon;
- 【4】 Tap iConsole entrance;
- 【5】 Tap the matching devices like 'iConsole-XXXX' (X means random digit) to pair;
- 【6】 Find related videos to start your favorite running mode.



Supported versions for KINOMAP:

- For Android devices: 5.0 or later.
- Requires iOS 9.0 or later. Compatible with iPhone, iPad, and iPod touch.

USER PROGRAM

This program is for user to edit a personal program; the speed and incline of each segment can be edited according as personal's desire. There are 18 segments on this program for user to edit workout program. Once the program is set, it will be stored on the computer, the computer will proceed the program by pressing START/STOP button. There are totally 3 user program can be edited.

If you want to re-edit the program, just follow the steps described as bellow.

STEP 1: Attach the Safety key to wake display up; the treadmill then will be on start/ready status, keep pressing PROG button until the speed

window display U-1, then the TIME window display 30:00, press SPEED+/- to set the program time.

STEP 2: Press MODE button to set segment 1, press INCLINE+/- to set incline and press SPEED+/- to set speed on this segment. After finish setting segment 1, press MODE button to set all other 2-18 segments.

STEP 3: After finish setting all 18 segments, the program will be stored, and then press START button to load this program.

BODY FAT SCALE

This function is to estimate your body fat according to the basic information of you body condition.

This estimate is not exact and persons with medical conditions and/or a specific need for accurate body fat value should not rely on the estimations provided.

STEP 1: Press PROGRAM button repeatedly, on the "12" time pressing PROGRAM button, the TIME window will display FAT. Press MODE button to set the relative parameters: GENDER, AGE, HEIGHT and WEIGHT.

STEP 2: After entering BODY FAT function by pressing MODE button, the INCLINE window will display F1, the DIST window will display 1, it represents GENDER, press SPEED +/- button to set gender from 1 - 2, 1 represents MALE, 2 represents FEMALE. Then press MODE button to go to next step.

STEP 3: After pressing MODE button, the INCLINE window will display F2, the DIST window will display 25, it represents AGE, press SPEED +/- button to set age from 10-99. Then press MODE button to go to next step.

STEP 4: After pressing MODE button, the INCLINE window will display F3, the DIST window will display 170, it represents HEIGHT, press SPEED +/- button to set height from 100CM-200CM. Then press MODE button to go to next step.

STEP 5: After pressing MODE button, the INCLINE window will display F4, the DIST window will display 70, it represents WEIGHT, press SPEED +/- button to set weight from 20KG-150KG. Then press MODE button to go to next step.

STEP 6: After finished setting all the necessary information of your body condition, press MODE button again, the INCLINE window will then display F5, the DIST window will display "---", it means the computer start to work for calculating, then hold the pulse sensor on handrail with both of your hands, around 8 seconds after, the body fat result will be displayed on INCLINE window.

BODY FAT CHART

The result that given by body fat scale can be a reference of body condition, check your body condition according to the left chart with the result you get from the treadmill.

Body condition	Result
Fat	BMI > 30
Overweight	26 < BMI < 30
Fit	19 < BMI < 25
Thin	BMI < 19

PRESET PROGRAM CHART P1. WEIGHT LOST

SPEED CHANGES		1	2	3	4	5	6	7	8	9	10	11	12	13	14	15	16	17	18
Level 1	SPEED(KM/H)	1	2	2	3	3	3	4	5	6	6	7	6	5	4	4	3	2	2
Level 2	SPEED(KM/H)	1	2	2	3	4	4	5	6	8	8	10	8	8	5	5	3	2	2
Level 3	SPEED(KM/H)	1	2	3	4	5	5	6	8	9	10	12	10	8	7	6	4	3	2
Level 4	SPEED(KM/H)	1	2	3	4	6	7	8	10	11	12	13	11	10	8	7	5	4	2
Level 5	SPEED(KM/H)	2	3	4	5	7	7	8	10	12	14	14	13	12	10	9	6	4	2
Level 6	SPEED(KM/H)	2	3	4	5	7	9	10	12	13	14	14	13	12	10	9	6	5	3
Level 7	SPEED(KM/H)	2	3	5	6	8	9	10	12	13	14	15	13	12	10	9	6	6	3
Level 8	SPEED(KM/H)	2	3	5	6	8	10	12	14	14	15	15	14	13	11	9	7	6	3

P2. CARDIO TRAIN

SPEED & INCLINE CHANGES		1	2	3	4	5	6	7	8	9	10	11	12	13	14	15	16	17	18
Level 1	ELEVATION	1	1	2	3	4	5	6	7	7	8	8	7	7	5	4	2	1	1
	SPEED(KM/H)	1	1	2	2	3	4	5	6	6	7	7	6	6	4	3	2	1	1
Level 2	ELEVATION	1	2	3	4	5	6	7	8	8	9	9	8	8	6	5	3	2	1
	SPEED(KM/H)	1	2	2	3	4	5	6	7	7	8	8	7	7	5	4	2	2	1
Level 3	ELEVATION	1	2	4	5	6	7	8	9	9	10	10	9	9	7	6	4	2	1
	SPEED(KM/H)	1	2	3	4	5	6	7	8	8	9	9	8	8	6	5	3	2	1
Level 4	ELEVATION	2	3	5	6	7	8	9	10	10	11	11	10	10	8	7	5	3	2
	SPEED(KM/H)	2	2	4	5	6	7	8	9	9	10	10	9	9	7	6	4	2	2
Level 5	ELEVATION	2	4	6	7	8	9	10	11	11	12	12	11	11	9	8	6	4	2
	SPEED(KM/H)	2	3	5	6	7	8	9	10	10	11	11	10	10	8	7	5	3	2
Level 6	ELEVATION	3	5	7	8	9	10	11	12	12	13	13	12	12	10	9	7	5	3
	SPEED(KM/H)	2	4	6	7	8	9	10	11	11	12	12	11	11	9	8	6	4	2
Level 7	ELEVATION	4	6	8	9	10	11	12	13	13	14	14	13	13	11	10	8	6	4
	SPEED(KM/H)	3	5	7	8	9	10	11	12	12	13	13	12	12	10	9	7	5	3
Level 8	ELEVATION	5	7	9	10	11	12	13	14	14	15	15	14	14	12	11	9	7	5
	SPEED(KM/H)	4	6	8	9	10	11	12	13	13	14	14	13	13	11	10	8	6	4

P3. FAT BURN

SPEED CHANGES		1	2	3	4	5	6	7	8	9	10	11	12	13	14	15	16	17	18
Level 1	SPEED(KM/H)	1	1	2	2	3	3	4	4	4	4	4	4	3	2	2	2	1	1
Level 2	SPEED(KM/H)	1	2	2	2	3	3	4	4	5	4	4	4	3	3	2	2	1	1
Level 3	SPEED(KM/H)	1	2	2	3	3	4	4	5	5	5	4	4	4	3	3	2	1	1
Level 4	SPEED(KM/H)	1	2	3	3	3	4	4	5	6	6	5	4	4	4	3	2	2	1
Level 5	SPEED(KM/H)	1	2	3	4	4	5	5	5	6	6	6	5	4	4	4	3	2	1
Level 6	SPEED(KM/H)	1	2	3	4	5	5	6	6	6	6	6	5	5	4	4	3	2	1
Level 7	SPEED(KM/H)	1	2	3	4	5	6	6	7	7	6	6	6	5	5	4	3	2	1
Level 8	SPEED(KM/H)	1	2	3	4	5	6	7	7	7	7	6	6	6	5	5	4	2	1

P4. POWER WALK

SPEED & INCLINE CHANGES		1	2	3	4	5	6	7	8	9	10	11	12	13	14	15	16	17	18
Level 1	ELEVATION	1	1	2	2	3	3	4	5	5	5	5	4	4	3	2	2	1	1
	SPEED(KM/H)	1	2	3	3	5	6	7	8	8	8	8	7	7	5	4	3	2	1
Level 2	ELEVATION	1	1	2	2	3	4	5	6	6	6	6	5	5	4	3	2	1	1
	SPEED(KM/H)	1	2	3	4	6	7	8	9	9	9	9	8	8	6	5	3	2	1
Level 3	ELEVATION	1	1	2	3	4	5	6	7	7	7	7	6	6	4	3	2	1	1
	SPEED(KM/H)	1	2	4	5	7	8	9	10	10	10	10	9	9	7	6	4	2	1
Level 4	ELEVATION	1	2	3	4	5	6	7	8	8	8	8	7	7	5	4	3	2	1
	SPEED(KM/H)	2	3	5	6	8	9	10	11	11	11	11	10	10	8	7	5	3	2
Level 5	ELEVATION	1	2	3	4	6	7	8	9	9	9	9	8	8	6	5	3	2	1
	SPEED(KM/H)	2	4	6	7	9	10	11	12	12	12	12	11	11	9	8	6	4	2
Level 6	ELEVATION	2	3	4	5	7	8	9	10	10	10	10	9	9	7	6	4	3	2
	SPEED(KM/H)	3	5	7	8	10	11	12	13	13	13	13	12	12	10	9	7	5	3
Level 7	ELEVATION	2	3	5	6	8	9	10	11	11	11	11	10	10	8	7	5	3	2
	SPEED(KM/H)	4	6	8	9	11	12	13	14	14	14	14	13	13	11	10	8	6	4
Level 8	ELEVATION	2	4	6	7	9	10	11	12	12	12	12	11	11	9	8	6	4	2
	SPEED(KM/H)	4	7	9	10	12	13	14	15	15	15	15	14	14	12	11	9	7	4

P5. INTERVAL

SPEED CHANGES		1	2	3	4	5	6	7	8	9	10	11	12	13	14	15	16	17	18
Level 1	SPEED(KM/H)	1	2	4	2	4	2	4	2	4	2	4	2	4	2	4	2	4	2
Level 2	SPEED(KM/H)	1	2	5	2	5	2	5	2	5	2	5	2	5	2	5	2	5	2
Level 3	SPEED(KM/H)	1	2	6	2	6	2	6	2	6	2	6	2	6	2	6	2	6	2
Level 4	SPEED(KM/H)	1	3	6	3	6	3	6	3	6	3	6	3	6	3	6	3	6	3
Level 5	SPEED(KM/H)	1	3	7	3	7	3	7	3	7	3	7	3	7	3	7	3	7	3
Level 6	SPEED(KM/H)	2	4	7	4	7	4	7	4	7	4	7	4	7	4	7	4	7	4
Level 7	SPEED(KM/H)	2	4	8	4	8	4	8	4	8	4	8	4	8	4	8	4	8	4
Level 8	SPEED(KM/H)	2	5	8	5	8	5	8	5	8	5	8	5	8	5	8	5	8	5

P6. ROLLING

SPEED CHANGES		1	2	3	4	5	6	7	8	9	10	11	12	13	14	15	16	17	18
Level 1	SPEED(KM/H)	1	2	3	2	1	2	3	2	1	2	3	2	1	2	3	2	1	1
Level 2	SPEED(KM/H)	2	3	4	3	2	3	4	3	2	3	4	3	2	3	4	3	2	2
Level 3	SPEED(KM/H)	2	3	4	5	4	3	4	5	4	3	4	5	4	3	4	5	4	3
Level 4	SPEED(KM/H)	2	4	5	6	5	4	5	6	5	4	5	6	5	4	5	6	5	3
Level 5	SPEED(KM/H)	2	5	6	7	6	5	6	7	6	5	6	7	5	6	7	6	5	3
Level 6	SPEED(KM/H)	3	6	7	8	7	6	7	8	7	6	7	8	7	6	7	8	7	4
Level 7	SPEED(KM/H)	3	7	8	9	8	7	8	9	8	7	8	9	8	7	8	9	8	4
Level 8	SPEED(KM/H)	3	8	9	10	9	8	9	10	9	8	9	10	9	8	9	10	8	4

P7. MOUNTAIN CLIMB

SPEED & INCLINE CHANGES		1	2	3	4	5	6	7	8	9	10	11	12	13	14	15	16	17	18
Level 1	ELEVATION	0	1	1	2	2	3	3	4	4	5	6	7	8	7	6	4	2	0
	SPEED(KM/H)	1	1	2	2	3	3	3	4	4	4	3	3	3	2	2	2	1	1
Level 2	ELEVATION	0	1	2	2	3	3	4	4	5	6	7	8	9	8	6	4	2	0
	SPEED(KM/H)	1	1	2	2	3	3	3	4	4	4	3	3	3	2	2	2	1	1
Level 3	ELEVATION	1	1	2	3	3	4	4	5	6	7	8	9	10	9	8	6	4	2
	SPEED(KM/H)	1	1	2	2	3	3	3	4	4	4	3	3	3	2	2	2	1	1
Level 4	ELEVATION	1	2	2	3	3	4	5	6	7	8	9	10	11	10	8	7	5	3
	SPEED(KM/H)	2	2	3	3	4	4	4	5	5	4	4	4	3	3	3	2	2	2
Level 5	ELEVATION	1	2	3	4	5	6	7	8	9	9	10	11	12	11	10	8	6	4
	SPEED(KM/H)	2	2	3	3	4	4	4	5	5	4	4	4	3	3	3	2	2	2
Level 6	ELEVATION	2	2	3	4	5	6	7	8	9	10	11	12	13	12	10	8	6	4
	SPEED(KM/H)	2	2	3	3	4	4	4	5	5	4	4	4	3	3	3	2	2	2
Level 7	ELEVATION	2	3	4	5	6	7	8	9	10	11	12	13	14	13	10	8	6	4
	SPEED(KM/H)	2	2	4	4	5	5	5	6	6	6	5	5	4	4	4	2	2	2
Level 8	ELEVATION	3	4	5	6	7	8	9	10	11	12	13	14	15	13	10	8	6	4
	SPEED(KM/H)	2	2	4	4	5	5	5	6	6	6	5	5	4	4	4	2	2	2

P8. HILL RUN

SPEED & INCLINE CHANGES		1	2	3	4	5	6	7	8	9	10	11	12	13	14	15	16	17	18
Level 1	ELEVATION	0	0	1	1	2	2	2	3	3	3	4	4	5	5	4	3	2	1
	SPEED(KM/H)	2	2	2	3	3	3	5	5	7	7	9	9	10	8	8	6	4	2
Level 2	ELEVATION	0	0	1	1	2	2	2	3	3	3	4	4	5	6	5	3	2	1
	SPEED(KM/H)	2	2	2	4	4	4	6	6	6	8	8	10	10	8	8	6	4	2
Level 3	ELEVATION	0	0	1	1	2	2	3	3	3	4	4	5	5	6	5	3	2	1
	SPEED(KM/H)	2	2	4	4	4	6	6	6	8	8	10	10	12	10	8	6	4	2
Level 4	ELEVATION	0	1	1	2	2	3	3	4	4	4	5	5	6	7	6	5	3	2
	SPEED(KM/H)	2	2	4	4	6	6	8	8	8	10	10	10	12	12	10	7	5	3
Level 5	ELEVATION	1	1	2	2	3	3	4	4	5	5	6	6	7	8	7	6	3	2
	SPEED(KM/H)	2	4	6	6	6	6	8	8	8	10	10	12	13	12	10	7	5	3
Level 6	ELEVATION	1	2	3	4	4	4	5	5	6	6	7	8	8	8	7	6	3	2
	SPEED(KM/H)	2	4	6	6	6	6	8	8	10	10	12	13	13	12	10	7	5	3
Level 7	ELEVATION	1	2	3	4	5	6	6	7	7	8	8	9	10	10	9	6	3	2
	SPEED(KM/H)	2	4	6	6	8	8	10	10	12	13	13	14	13	12	10	7	5	3
Level 8	ELEVATION	1	2	3	4	6	6	7	7	8	8	9	9	10	12	9	6	3	2
	SPEED(KM/H)	2	4	6	8	10	10	12	12	13	13	14	14	13	12	10	7	5	3

HOW TO FOLD THE TREADMILL

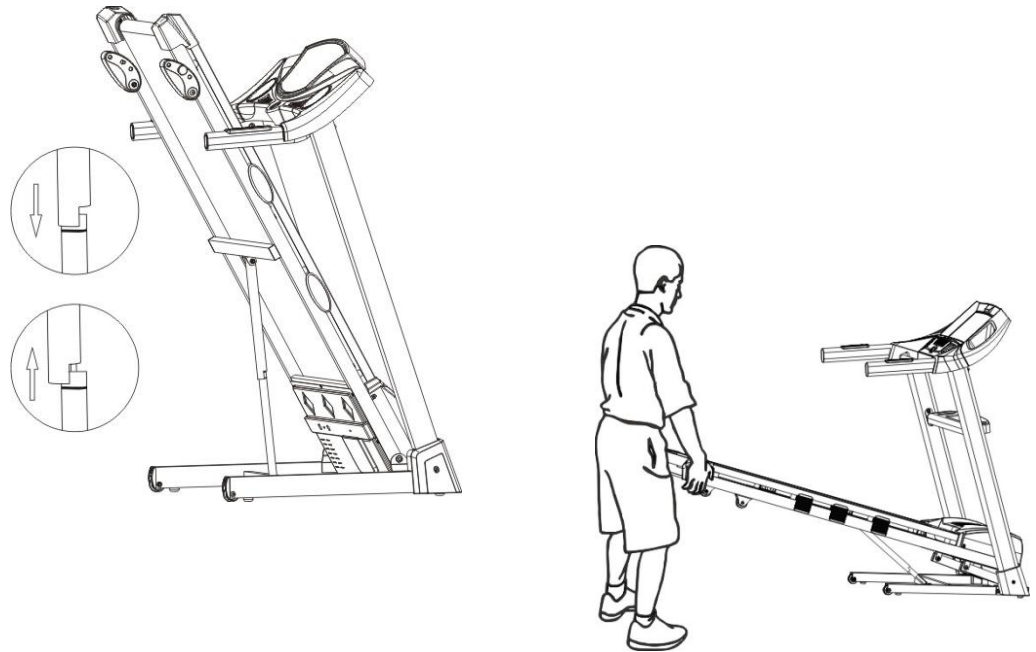
Before folding the treadmill, unplug the power cord.

CAUTION: You must be able to safely lift 45 pounds (20kg) in order to raise, lower, or move the treadmill.

1. Hold the treadmill with your hands in the locations shown at the right.

CAUTION: To decrease the possibility of injury, bend your legs and keep your back straight. As you raise the treadmill, make sure to lift with your legs rather than your back. Raise the treadmill until the running deck is firmly held by the folding pole as the right figure shows.

2. If you want to put the treadmill to the work position, Firstly pull the folding knob outward as figure shows, And then lay down the running deck light onto floor.



HOW TO MOVE THE TREADMILL

1. Hold the handrails as shown and place one foot against a wheel.

2. Tilt the treadmill back until it rolls freely on the wheels. Carefully move the treadmill to the desired location.

Never move the treadmill without tipping it back. To reduce the risk of injury, use extreme caution while moving the treadmill.

Do not attempt to move the treadmill over an uneven surface.

3. Place one foot on a wheel, and carefully lower the treadmill until it is resting in the storage position.



WARNING! Before performing any maintenance to your treadmill, always unplug the power cord from the surge protector.

CLEANING: Routine cleaning of your TREADMILL will extend the life of your treadmill.

WARNING! To prevent electrical shock, be sure the power to the treadmill is OFF and the unit is unplugged from the wall electrical outlet before attempting any cleaning or maintenance.

AFTER EACH WORKOUT: Wipe off the console and other treadmill surfaces with a clean, water dampened soft cloth to remove excess perspiration. USE NO CHEMICALS.

WEEKLY: Use of a treadmill mat is recommended for ease of cleaning. Dirt from your shoes contacts the belt and eventually ends up underneath the treadmill. Vacuum underneath the treadmill once a week.

DECK LUBRICATION: The walking belt has been pre-lubricated at the factory. However, it is recommended that the walking board be checked periodically for lubrication to ensure optimal treadmill performance.

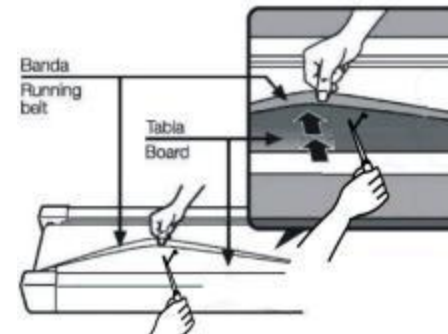
Every 10 days or 10 hours of operation, lift the sides of the walking belt and feel the top surface of the walking board as far under as you can reach. If you feel signs of silicone, no further lubrication is required.

If it feels dry to the touch, lubrication is needed. Ask your retailer or call Service line for the type of silicone.

TO APPLY LUBRICANT TO THE WALKING BOARD

- 1) Position the walking belt so that the seam is located on top and in the center of the center of the walking board.
- 2) Insert the spray nozzle into the spray head of the lubricant can.
- 3) While lifting the side of the walking belt, position the spray nozzle between the walking belt and the board approximately 10cm from the front of the treadmill. Apply the silicone spray to the walking board, moving from the front of the treadmill to the rear. Repeat this on the other side of the belt. Spray approximately 4 seconds on each side.
- 4) Allow the silicone to 'set' for one minute before using the treadmill.

WARNING: Do not over-lubricate the walking board. Excess lubricant should be wiped off with a clean towel.



Running belt tension adjustment

The treadmill has been adjusted and passed QC inspection before leaving the factory.

If there is phenomenon of bias running of the belt, the possible reasons might be:

- A. The frame is not stably laid
- B. The user is not running on the center of the running belt;
- C. The user's two feet are not using even strength.

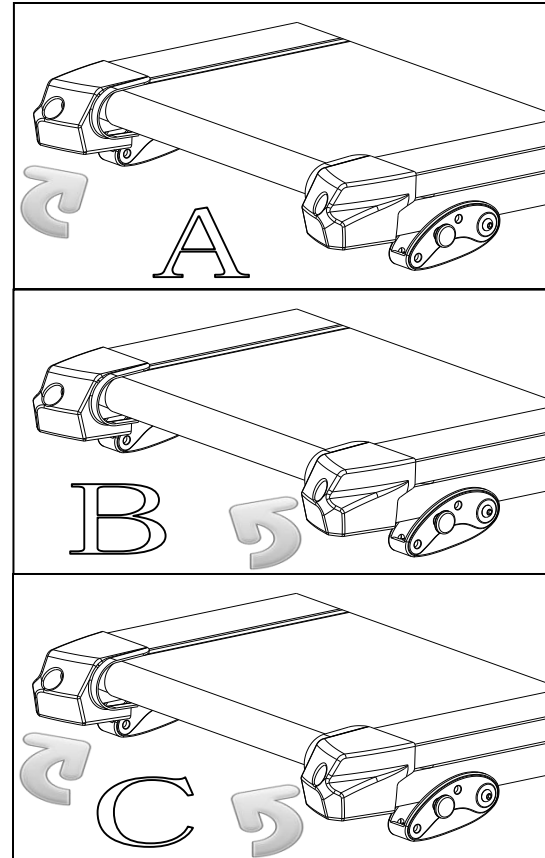
For bias which can not be fixed automatically, try the following methods to fix the belt, as picture shown.

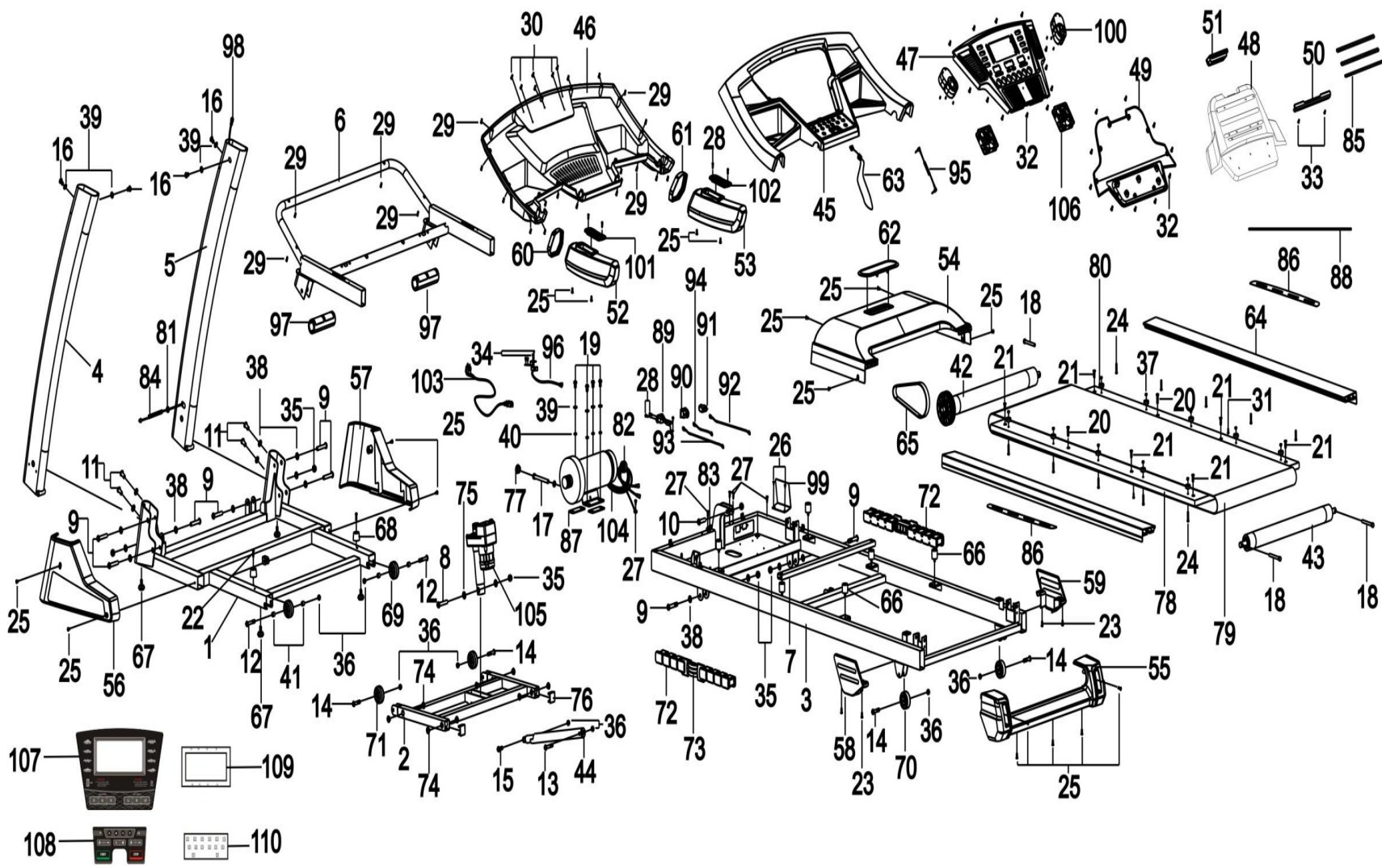
If the belt tends to move to the right, you should turn the belt adjustment screw on the right in clockwise direction.

We recommend you turn 1/4 turn each time and check how it works. If the belt remains slanting to the right, then turn the belt adjustment screw on the left in counterclockwise direction 1/4, as shown in the picture A

If the belt tends to move to the left, then turn the belt adjustment screw on the left in clockwise direction for 1/4 turn. If the belt remains slanting to the left, then turn the belt adjustment screw on the right in counterclockwise direction for 1/4 turn, as shown in the picture B

After having been used for a period, the belt might be slightly elongated, and slipping and halting might appear when a person is running on it. When these phenomena appear, you should secure the screws on both sides for 1/4 turn. If the belt is too tight, just loosen the screw on both sides for 1/4 turn, as shown in picture C.





N O.	DESCRIPTION	QTY	NO.	DESCRIPTION	Q'TY
1	BASE	1	43	REAR ROLLER	
2	INCLINE RACK	1	44	AIR CYLINDER	
3	MAIN FRAME	1	45	CONSOLE PLASTIC HOUSING-UPPER	
4	LEFT UPRIGHT	1	46	CONSOLE PLASTIC HOUSING-BOTTOM	
5	RIGHT UPRIGHT	1	47	COMPUTER PLASTIC	
6	CONSOLE RACK	1	48	IPAD RACK-FRONT CASE	
7	CROSS BAR	1	49	IPAD RACK-BACK CASE	
8	BOLT M10*60	1	50	IPAD RACK	
9	BOLT M10*55	8	51	IPAD FIXED PLATE	
10	BOLT M10*40	1	52	HANDRAIL FOAM-L	
11	BOLT M10*25	4	53	HANDRAIL FOAM-R	
12	BOLT M8*50	2	54	MOTOR COVER	1
13	BOLT M8*45	1	55	REAR END CAP	1
14	BOLT M8*40	4	56	BASE COVER-L	1
15	BOLT M8*28	1	57	BASE COVER-R	1
16	BOLT M8*15	4	58	FRAME WHEEL COVER-L	1
17	BOLT M8*90	1	59	FRAME WHEEL COVER-R	1
18	BOLT M8*65	3	60	HANDRAIL PVC RING-L	1
19	BOLT M8*15	4	61	HANDRAIL PVC RING-R	1
20	BOLT M6*45	2	62	MOTOR COVER LOGO PLATE	1
21	BOLT M6*25	6	63	SAFETY KEY	1
22	BOLT M6*20	2	64	SIDE RAIL	2
23	BOLT M6*10	4	65	MOTOR BELT	1
24	BOLT M5*28	10	66	BASE CUSHION	6
25	BOLT M5*12	17	67	BASE FOOT PAD	4
26	SCREWS M4*15	2	68	BASE CUSHION	2
27	SCREWS M4*12	5	69	MOVING WHEEL	2
28	SCREWS M4*15	2	70	FRAME WHEEL	2
29	SCREWS M4*12	23	71	INCLINE MOVING WHEEL	2
30	SCREWS M4*15	5	72	AIR CUSHION	4
31	SCREWS M4*25	2	73	SPRING CUSHION	2
32	SCREWS M4*10	21	74	PLASTIC BUSHION(FOR INCLINE)	8
33	SCREWS M3*10	2	75	PLASTIC BUSHION FOR INCLINE MOTOR	2
34	SCREWS M3*6	13	76	BASE END CAP	2
35	NUT M10	6	77	END CAP FOR MOTOR	1
36	NUT M8	8	78	RUNNING DECK	1
37	NUT M5	10	79	RUNNING BELT	1
38	FLAT WASHER $\phi 20 \times \phi 10.5 \times T1.5$	14	80	SIDE RAIL FASTENER	10
39	FLAT WASHER $\phi 17 \times \phi 8.5 \times T1.5$	9	81	CABLE GROMMET	1
40	SPRING WASHER	4	82	MAGNETIC RING	1
41	BASE WHEEL SPACER	4	83	CABLE CLIP	1
42	FRONT ROLLER	1	84	WAVE PIPE	1
85	Silicon Pad	1	98	DATA CABLE	1
86	FOOT REST	2	99	CONTROLLER	1
87	RUBBER PAD	2	100	SPEAKER	2
88	ROPE	1	101	LEFT HANDRAIL BUTTON	1
89	POWER SWITCH	1	102	RIGHT HANDRAIL BUTTON	1
90	POWER CORD JACK	1	103	POWER CORD	1
91	CIRCUIT BREAKER	1	104	MOTOR	1
92	RED AC CABLE L=280mm	1	105	INCLINE MOTOR	1
93	BLACK AC CABLE L=280mm	1	106	FAN	2
94	BROWN CABLE L=100mm	1	107	Console Sticker	1
95	AUDIO CABLE	1	108	KEY Pad Sticker	1
96	SENSOR SET	1	109	Console PCB	1
97	HANDRAIL PULSE SET	2	110	KEY Pad	1

INTERSPORT ATHLETICS SA

18-20 SOROU

15125

MAROUSI

GREECE

+302102806019

**ENERGETICS
PR 11.0**



GREEK MANUAL

Για την ασφάλεια σας και την σωστή χρήση της συσκευής, πρέπει να ακολουθούνται οι βασικές προφυλάξεις συμπεριλαμβάνοντας τα παρακάτω:

Παρακαλώ διαβάστε προσεκτικά τις οδηγίες πριν χρησιμοποιήσετε τον διάδρομο.

Κίνδυνος – Για την αποφυγή ηλεκτρικού βραχυκυκλώματος:

1. Πάντα να κλείνετε τον κεντρικό διακόπτη και να βγάξετε την συσκευή από την πρίζα μετά από κάθε χρήση και κάθε φορά που κάνετε συντήρηση

Προειδοποίηση – Για την αποφυγή του ρίσκου εγκαύματος, φωτιάς, βραχυκυκλώματος ή τραυματισμού:

1. Ποτέ μην αφήνετε την συσκευή στο ρεύμα όταν δεν χρησιμοποιείτε, αφαιρέστε το βύσμα από την πρίζα όταν τελειώσετε την προπόνηση σας.
2. Η κεντρική επιτήρηση είναι απαραίτητη όταν ο διάδρομος χρησιμοποιείτε από παιδιά ή άτομα με αναπηρία .
3. Χρησιμοποιείτε τον διάδρομο μόνο για τον σκοπό που εξυπηρετεί και έχει σχεδιαστεί από τον κατασκευαστή (οικιακή χρήση). Μέγιστος χρόνος συνεχόμενης λειτουργίας είναι τα 50 λεπτά & για μέγιστο βάρος χρήστη έως 150 κιλά.
4. Ποτέ μην χρησιμοποιείτε το προϊόν αν έχει φθαρμένο καλώδιο ή φως, εάν δεν λειτουργεί σωστά, αν έχει καταστραφεί ή έχει πέσει κάποιο υγρό. Παρακαλούμε να επικοινωνήσετε άμεσα με το κέντρο εξυπηρέτησης του service για έλεγχο και επισκευή.
5. Μην μεταφέρετε ποτέ τον διάδρομο από το καλώδιο τροφοδοσίας ή να χρησιμοποιήσετε το καλώδιο ως λαβή.
6. Κρατήστε το καλώδιο μακριά από θερμαινόμενες επιφάνειες ή σκόνη.
7. Ποτέ μην λειτουργείτε το προϊόν με τους αεραγωγούς μπλοκαρισμένους. Κρατήστε τα ανοίγματα αέρα χωρίς χνούδι, μαλλιά, κλπ.
8. Μην ρίχνετε ή εισάγετε αντικείμενα στα ανοίγματα.
9. Μην χρησιμοποιείτε ή αποθηκεύετε τον διάδρομο σε εξωτερικούς χώρους.
10. Μην χρησιμοποιείτε τον διάδρομο σε χώρους όπου έχετε ψεκάσει με κάποιο aerosol (spray). Η συσκευή πρέπει να χρησιμοποιείτε σε δωμάτιο με καθαρή ατμόσφαιρα.
11. Πριν την απενεργοποίηση του ρεύματος της συσκευής, γυρίστε όλους τους διακόπτες στη θέση off και στη συνέχεια αφαιρέστε το φως από την πρίζα.
12. Συνδέστε το προϊόν σε μια σωστά γειωμένη πρίζα μόνο του απευθείας και όχι σε πολύμπριζο.
13. Αν ο διάδρομος είναι σε θέση αναδίπλωσης και ο χρήστης έχει ολοκληρώσει τη χρήση του διαδρόμου η ανωφέρεια πρέπει να είναι πίσω στην αρχική της θέση (μηδέν).
14. Όταν ο χρήστης χρησιμοποιεί το διάδρομο, δεν μπορεί να διπλωθεί συγχρόνως.
15. Για την ασφάλεια σας κρατήστε την περίμετρο γύρω από τον διάδρομο καθαρή από εμπόδια σε μια ακτίνα 2 μέτρα x 1.
16. Αυτό το μηχάνημα προορίζεται μόνο για οικιακή χρήση.
17. Για τον διάδρομο με πτυσσόμενη λειτουργία και ηλεκτρική ανύψωση, να είστε σίγουροι ότι η ανύψωση είναι στη θέση 0 πριν την αναδίπλωση.
18. Σταματήστε να χρησιμοποιείτε το διάδρομο αν αισθανθείτε λιποθυμία, ζάλη, ή δυσκολία στην αναπνοή.
19. Φοράτε τα κατάλληλα ρούχα και παπούτσια καθώς ασκήστε. Μην φοράτε φαρδιά ρούχα που μπορεί να πιαστούν στο διάδρομο. Πάντα να φοράτε αθλητικά παπούτσια τρεξίματος και για την αποφυγή τραυματισμού απαγορεύεται να τρέχετε ξυπόλητοι ή φορώντας σανδάλια κλπ.

**Παρακαλούμε διαβάστε τις οδηγίες από το εγχειρίδιο
λεπτομερώς πριν από τη χρήση του διαδρόμου.**

ΟΔΗΓΙΕΣ ΓΕΙΩΣΗΣ

Η συσκευή πρέπει να είναι γειωμένη πρώτα. Εάν παρουσιαστεί δυσλειτουργία ή βλάβη, η γείωση παρέχει μια διαδρομή ελάχιστης αντίστασης για το ηλεκτρικό ρεύμα για να μειώσετε τον κίνδυνο ηλεκτροπληξίας.

Ο διάδρομος είναι εξοπλισμένος με ένα καλώδιο που έχει αγωγό και βύσμα γείωσης.

Το βύσμα πρέπει να συνδεθεί σε κατάλληλη πρίζα, στα 16 AMPERE (AMP) από την ασφάλεια του ηλεκτρικού σας πίνακα η οποία είναι σωστά εγκατεστημένη και γειωμένη σύμφωνα με όλους τους τοπικούς κώδικες και διατάγματα.

ΚΙΝΔΥΝΟΣ – Λανθασμένη σύνδεση του αγωγού γείωσης του εξοπλισμού μπορεί να οδηγήσει σε κίνδυνο ηλεκτροπληξίας.

Ελέγξτε με έναν εξειδικευμένο ηλεκτρολόγο αν έχετε αμφιβολίες ως προς το αν η συσκευή είναι κατάλληλα γειωμένη.

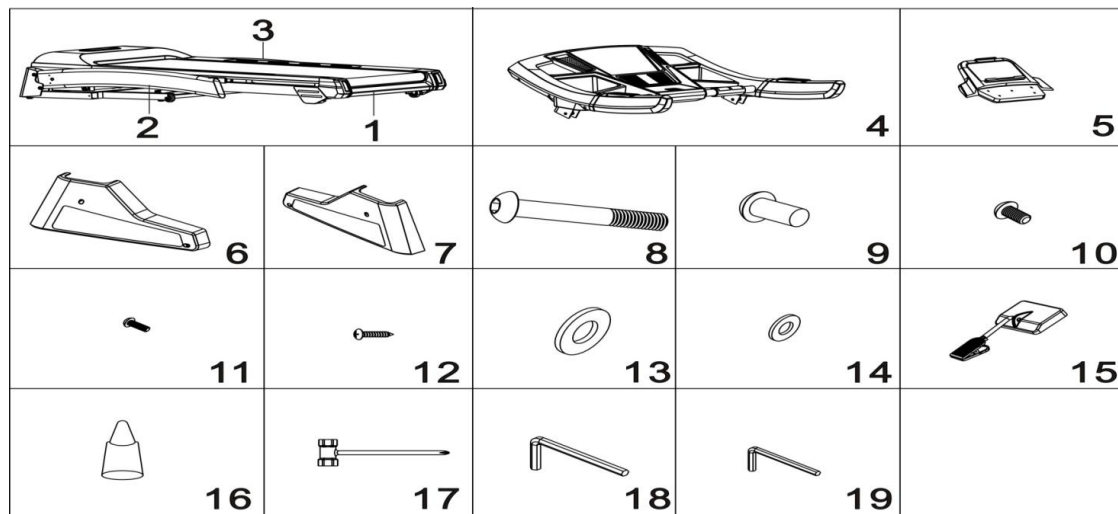
Μην τροποποιείτε το φινιρίσμα που παρέχεται με το προϊόν – αν δεν ταιριάζει στην πρίζα του σπιτιού σας, εγκαταστήστε την κατάλληλη πρίζα από εξειδικευμένο ηλεκτρολόγο.

Οι συσκευές που είναι για χρήση σε τάση 220-240 volt και έχει βύσμα γείωσης που μοιάζει με την πρίζα που απεικονίζεται στην εικόνα και έχει την ίδια διαμόρφωση στην έξοδο του βύσματος δεν υπάρχει καμία ανάγκη να χρησιμοποιήσετε οποιοδήποτε αντάππορα για αυτό το προϊόν.



ΓΕΙΩΣΗ ΒΥΣΜΑΤΟΣ

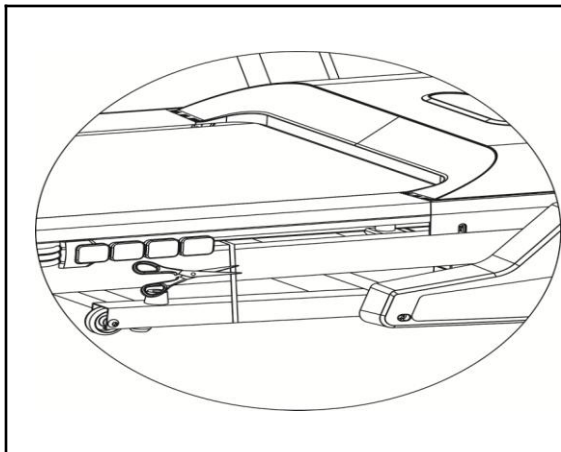
ΑΝΟΙΓΩΝΤΑΣ ΤΗΝ ΣΥΣΚΕΥΑΣΙΑ ΘΑ ΒΡΕΙΤΕ ΤΑ ΠΑΡΑΚΑΤΩ ΜΕΡΗ



ΛΙΣΤΑ ΕΞΑΡΤΗΜΑΤΩΝ

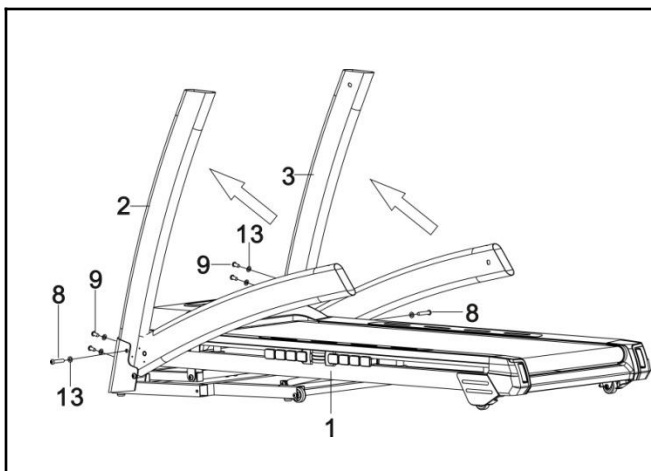
No .	ΠΕΡΙΓΡΑΦΗ	Ποσότητ α	N ο.	ΠΕΡΙΓΡΑΦΗ	Ποσότητα
1	Κύριο πλαίσιο	1	10	Βίδες M8x15	4
2	Αριστερός ορθοστάτης	1	11	Βίδες M5x12	4
3	Δεξιός ορθοστάτης	1	12	Βίδες M4x15	5
4	Κονσόλα	1	13	Ροδέλες M10	6
5	Βάση στήριξης	1	14	Ροδέλες M 8	4
6	Κάλυμμα βάσης δεξί	1	15	Κλειδί ασφαλείας	1
7	Κάλυμμα βάσης αριστερό	2	16	Λιπαντικό σιλικόνης	1
8	Βίδες M10x55	2	17	Κατσαβίδι	1
9	Βίδες M10x20	4	18	Κλειδί ALLEN 6#	1
			19	Κλειδί ALLEN 5#	1

ΒΗΜΑ 1



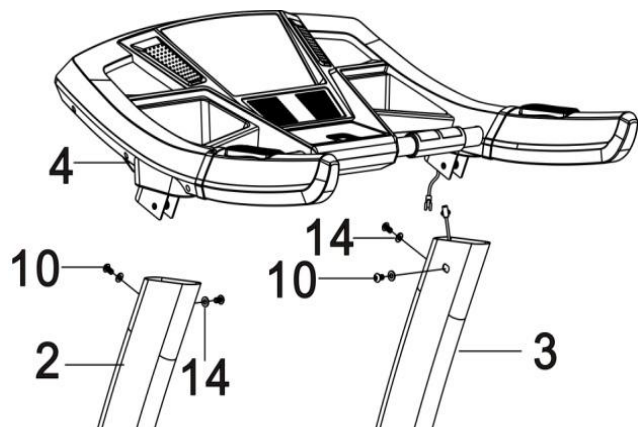
1. Παρακαλώ σημειώστε ότι για τον διάδρομο χρειάζονται τουλάχιστον 2 άτομα για να ολοκληρώσετε την συναρμολόγηση.
2. Ανοίξτε το κουτί, και βγάλτε όλα τα αφρώδη και τα υπόλοιπα παρελκόμενα.
3. Όπως δείχνει η φωτογραφία, βγάλτε το κύριο πλαίσιο από το κουτί, τοποθετήστε το σε επίπεδο πάτωμα, και στη συνέχεια κόψτε το πλαστικό τσέρκι ασφαλείας.

ΒΗΜΑ 2



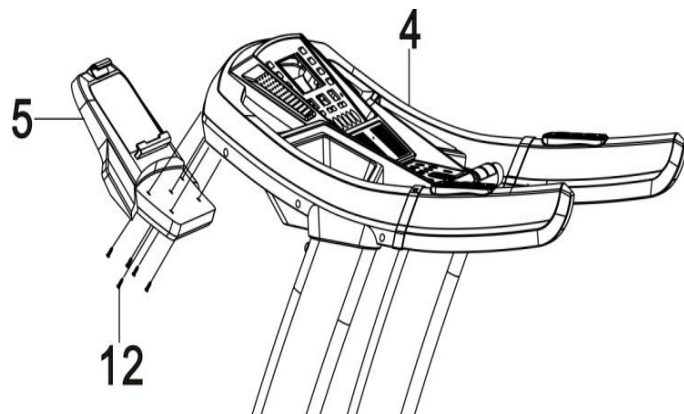
1. Σηκώστε τον αριστερό ορθοστάτη (2) και τον δεξί ορθοστάτη (3) & σταθεροποιήστε τους στο κύριο πλαίσιο (1). Χρησιμοποιήστε το κλειδί allen 6 (18) & τοποθετήστε 1 βίδα M10x55 (8), 2 βίδες M10x20 (9) & 3 ροδέλες M10 (13) ανά πλευρά. Προσέξτε να μην προκαλέσετε ζημιά στο καλώδιο όταν εισάγετε τους ορθοστάτες στο κύριο πλαίσιο.
2. Μην σφίξετε τα μπουλόνια & τις βίδες σε αυτό το βήμα.

ΒΗΜΑ 3



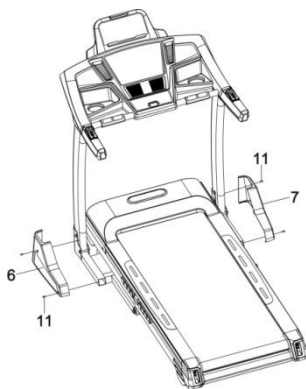
1. Συνδέστε πρώτα το καλώδιο στο πάνω μέρος της δεξιάς κολώνας (3) με την προέκταση του καλωδίου της κονσόλας(4). Δώστε προσοχή στη σύνδεση του καλωδίου, μια λανθασμένη σύνδεση θα προκαλέσει βλάβη στο σύνδεσμο του καλωδίου.
2. Όπως δείχνει η εικόνα, χρησιμοποιήστε το κλειδί allen(19) για να εγκαταστήσετε την κονσόλα(4) πάνω στον αριστερό (2) & δεξιό(3) ορθοστάτη χρησιμοποιώντας 4 βίδες M8x15 (10) & 4 ροδέλες M8(14).
3. Έπειτα σφίξτε όλες τις βίδες από τα βήματα 2&3 καλά.

ΒΗΜΑ 4

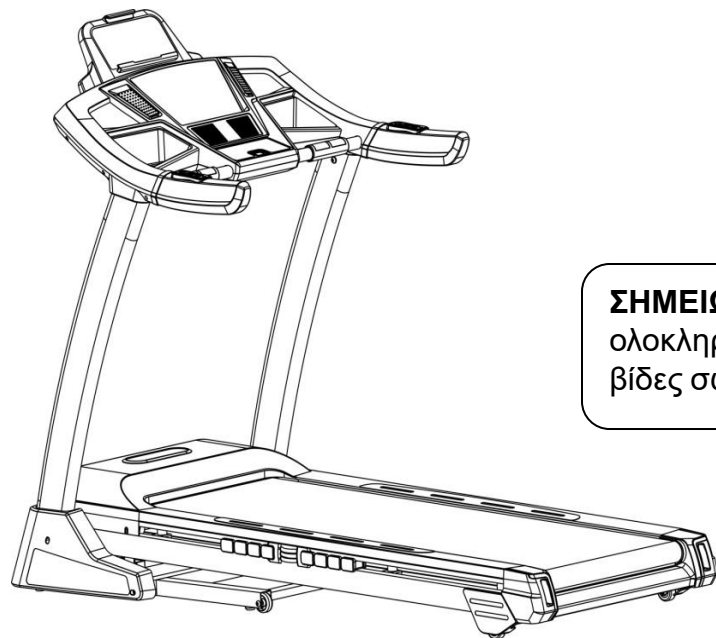


Χρησιμοποιήστε το κατσαβίδι (17) για να στερεώσετε την βάση στήριξης(5) πάνω στην κονσόλα (4) χρησιμοποιώντας 5 βίδες M4x15 (12).

STEP 5



Χρησιμοποιήστε το κατσαβίδι (17) για να στερεώσετε το αριστερό κάλυμμα της βάσης (6) πάνω στον αριστερό ορθοστάτη χρησιμοποιώντας 2 βίδες M5x12(11). Επαναλάβετε το ίδιο & για το δεξιό κάλυμμα της βάσης (7).



ΣΗΜΕΙΩΣΗ: Για την ασφάλεια και την άνεση σας, αφού έχετε ολοκληρώσει την συναρμολόγηση ελέγξτε αν έχετε σφίξει όλες τις βίδες σωστά.

ΓΕΝΙΚΕΣ ΣΥΜΒΟΥΛΕΣ ΓΙΑ ΤΗΝ ΑΣΦΑΛΕΙΑ ΣΑΣ

Α. Πριν ξεκινήσετε την προπόνηση σας είναι ευθύνη του χρήστη η ανάγνωση των οδηγιών από το εγχειρίδιο ώστε να βεβαιωθείτε ότι γνωρίζετε καλά την λειτουργία του διαδρόμου.

Β. Τοποθετείστε το κλειδί ασφαλείας πάνω στην κονσόλα(ο διάδρομος δεν θα λειτουργεί χωρίς το κλειδί ασφαλείας).

Προσαρμόστε την άλλη άκρη από το κλειδί με το clip πάνω στα ρούχα σας, ώστε να εξασφαλίσετε ότι ο διάδρομος θα σταματήσει αν ο χρήστης δεν τον χρησιμοποιεί σωστά.

Γ. Αν ο χρήστης πέσει από τον διάδρομο τότε το κλειδί ασφαλείας θα βγει από την θέση του και ο διάδρομος θα σταματήσει αμέσως ώστε να αποφευχθεί περαιτέρω τραυματισμός.

Δ. Μην στέκεστε πάνω στον τάπητα κατά την εκκίνηση του διαδρόμου, πατήστε σταθερά στα δύο πλαϊνά πλαστικά δεξιά και αριστερό.

Ε. Πατώντας το πλήκτρο start ο διάδρομος μετράει αντίστροφα 3,2,1,0, και ξεκινάει σε χαμηλή ταχύτητα στα 1.0 χλμ/ώρα. Αν είστε αρχάριος μέχρι να συνηθίσετε μείνετε σε μια χαμηλή ταχύτητα και κρατηθείτε γερά από τις χειρολαβές.

ΟΔΗΓΟΣ ΓΡΗΓΟΡΗΣ ΧΡΗΣΗΣ



ΛΕΙΤΟΥΡΓΕΙΕΣ ΚΟΜΠΙΟΥΤΕΡ

ΧΡΟΝΟΣ: Αθροίζει το συνολικό χρόνο προπόνησης από 0:00 έως 99:00 λεπτά.

ΠΑΛΜΟΙ: Πρέπει να κρατάτε και τους δύο μεταλλικούς αισθητήρες των παλμών στις λαβές δεξιά και αριστερά ώστε να ανιχνεύονται οι παλμοί σας. Στην οθόνη θα εμφανιστεί η τρέχουσα τιμή των παλμών σας ανά λεπτό από 50 έως 200.

ΤΑΧΥΤΗΤΑ: Η οθόνη εμφανίζει την τρέχουσα ταχύτητα του διαδρόμου ξεκινώντας από 1.0χλμ/ώρα έως 20.0χλμ/ώρα.

ΘΕΡΜΙΔΕΣ: Αθροίζει την συνολική κατανάλωση θερμίδων κατά την διάρκεια της προπόνησης σας. Μέγιστη τιμή είναι οι 990 θερμίδες.

Απόσταση: Αθροίζει την συνολική απόσταση που διανύετε σε χιλιόμετρα από 0 έως 99,9 μετρώντας προς τα πάνω. Αθροίζει την συνολική απόσταση που διανύετε σε χιλιόμετρα από 0 έως 99,9 μετρώντας προς τα κάτω.

Ανωφέρεια: Η οθόνη εμφανίζει την κλίση του διαδρόμου προς τα πάνω ξεκινώντας από 1%έως15%.

ΞΕΚΙΝΩΝΤΑΣ

ΣΗΜΕΙΩΣΗ:

1. Βεβαιωθείτε ότι τίποτα δεν εμποδίζει την κίνηση του διαδρόμου.
2. Συνδέστε το καλώδιο τροφοδοσίας και ενεργοποιήστε τον διάδρομο.
3. Σταθείτε πατώντας σταθερά στα δύο πλαϊνά πλαστικά δεξί και αριστερό.
4. Προσαρμόστε το clip από το κλειδί ασφαλείας πάνω στο ρούχο σας.
5. Βάλτε το κλειδί ασφαλείας στην οπή πάνω στην κονσόλα, και στη συνέχεια ο διάδρομος θα είναι έτοιμος για να ξεκινήσει.
6. Υπάρχουν κουμπιά ρύθμισης και στις δύο χειρολαβές, δεξιά είναι η ταχύτητα + και ταχύτητα-, αριστερά είναι η ανωφέρεια + και ανωφέρεια -, όπου εκτελούνται οι ίδιες λειτουργίες όπως και στο κομπιούτερ του διαδρόμου.
7. Κατά τη διάρκεια της προπόνηση σας σε οποιαδήποτε λειτουργία όταν πατάτε το κουμπί STOP ο διάδρομος θα σταματήσει, αν θέλετε να συνεχίσετε την προπόνηση σας πατώντας το START όλα τα προηγούμενα δεδομένα παραμένουν και ο διάδρομος θα ξεκινήσει να κινείται μετά από 5 δευτερόλεπτα. Αν θέλετε ο διάδρομος να είναι σε κατάσταση ετοιμότητας, πατήστε το κουμπί STOP πάλι μετά την παύση του διαδρόμου
8. Έχετε δύο επιλογές για να ξεκινήσετε την άσκησή σας:

A. QUICK START(Γρήγορη εκκίνηση).

Απλά πατήστε το πλήκτρο START για να ξεκινήσετε την προπόνηση σας.

B. SELECT A PROGRAM (Επιλέξτε πρόγραμμα). Πατώντας το κουμπί MODE (επιλογή) & έπειτα το πλήκτρο PROGRAM επιλέξετε ένα από τα 8 προκαθορισμένα προγράμματα ή ένα από τα 3 χρήστη (user) και ύστερα πατήστε START.

ΛΕΙΤΟΥΡΓΕΙΑ ΓΡΗΓΟΡΗ ΕΚΚΙΝΗΣΗ

ΒΗΜΑ 1: Συνδέστε το κλειδί ασφαλείας στο κομπιούτερ και ο διάδρομος είναι σε κατάσταση αναμονής για να ξεκινήσει.

ΒΗΜΑ 2: Πατήστε το πλήκτρο START και μετά από 5 δευτερόλεπτα αντίστροφης μέτρησης ο διάδρομος θα ξεκινήσει. Χρησιμοποιήστε τα κουμπιά SPEED +/- ή τα κουμπιά γρήγορης επιλογής της ταχύτητας για να ρυθμίσετε την επιθυμητή ταχύτητα οποιαδήποτε στιγμή θέλετε από το κομπιούτερ. Η ταχύτητα μπορεί επίσης να ρυθμιστεί και από τα κουμπιά στην δεξιά χειρολαβή. Χρησιμοποιήστε τα κουμπιά INCLINE +/- ή τα κουμπιά γρήγορης επιλογής της ανωφέρειας για να ρυθμίσετε την κλίση που επιθυμείτε οποιαδήποτε στιγμή θέλετε από το κομπιούτερ. Η ανωφέρεια μπορεί επίσης να ρυθμιστεί και από τα κουμπιά στην αριστερή χειρολαβή.

ΒΗΜΑ 3: Για να έχετε μέτρηση των παλμών απλά κρατήστε γερά τους αισθητήρες από τις χειρολαβές. Μπορεί να χρειαστούν μερικά δευτερόλεπτα ώστε στην οθόνη να δείτε την ακριβή μέτρηση. Η συχνότητα των παλμών θα εμφανιστεί στο παράθυρο PULSE.

ΒΗΜΑ 4: Πατήστε το κουμπί STOP για να σταματήσετε την προπόνηση σας ή τραβήξετε το κλειδί ασφαλείας από τη θέση του για να τερματίσετε τη λειτουργία του διαδρόμου. Πατώντας το πλήκτρο STOP θα σταματήσει το πρόγραμμα, αν θέλετε να συνεχίσετε την προπόνηση σας, μπορείτε να πατήσετε το κουμπί START και όλα τα προηγούμενα δεδομένα θα συνεχίσουν την καταμέτρηση από το σημείο που σταματήσατε. Ο διάδρομος θα ξεκινήσει μετρώντας αντίστροφα ύστερα από τέσσερα δευτερόλεπτα.

ΒΗΜΑ 5: Κατά τη διάρκεια της ταχείας εκκίνησης οι λειτουργίες χρόνου, θερμίδων και απόστασης μετρούν προς τα πάνω.

ΣΗΜΕΙΩΣΗ:ΧΕΙΡΟΚΙΝΗΤΗ ΕΠΙΛΟΓΗ ΠΡΟΓΡΑΜΜΑΤΟΣ

Στα πλαίσια λειτουργίας ενός προγράμματος, αν έχετε επιλέξει απόσταση, θερμίδες η χρόνο το αντίστοιχο πρόγραμμα πάντα μετράει προς τα κάτω.

Κατά την διάρκεια της προπόνηση σας όταν το πρόγραμμα μηδενίσει, τότε ο διάδρομος θα σταματήσει αυτόματα. Εάν επιθυμείτε να συνεχίσετε πατήστε το πλήκτρο START και ο διάδρομος θα ξεκινήσει μετά από 5 δευτερόλεπτα.

ΒΗΜΑ 1: Προσαρμόστε το κλειδί ασφαλείας πάνω στην οθόνη και ο διάδρομος είναι σε κατάσταση ετοιμότητας για να ξεκινήσει.

ΒΗΜΑ 2: Πατήστε το πλήκτρο επιλογή MODE, τότε στην οθόνη στο παράθυρο που μετράει τον χρόνο εμφανίζεται η ένδειξη 30:00.Έπειτα πατήστε τα πλήκτρα SPEED +/- για να ρυθμίσετε τον χρόνο να μετράει αντίστροφα από 8:00 έως 99:00 λεπτά.

Εάν δεν επιθυμείτε να ορίσετε τον χρόνο να μετράει αντίστροφα μπορείτε να επιλέξετε άλλη εφαρμογή. Μην πατήσετε τα πλήκτρα SPEED +/- αλλά άμεσα πατήστε το πλήκτρο MODE και στην οθόνη στο παράθυρο που μετράει θερμίδες/απόσταση θα εμφανιστεί η ένδειξη 1.0, τότε μπορείτε να ρυθμίσετε τον υπολογισμό της απόστασης αντίστροφα πατώντας τα πλήκτρα SPEED +/- από 1.0χλμ έως 99.0χλμ.

Εάν δεν επιθυμείτε να ορίσετε τον υπολογισμό της απόστασης μπορείτε να επιλέξετε άλλη εφαρμογή. Μην πατήσετε τα πλήκτρα SPEED +/- αλλά άμεσα πατήστε το πλήκτρο MODE ξανά και στην οθόνη στο παράθυρο που μετράει θερμίδες/απόσταση θα εμφανιστεί η ένδειξη 20, τότε μπορείτε να ρυθμίσετε τον υπολογισμό των θερμίδων αντίστροφα πατώντας τα πλήκτρα SPEED +/- από 20kcal έως 990kcal.

ΒΗΜΑ 3: Αφού τελειώσετε με την χειροκίνητη επιλογή εφαρμογή προγράμματος πατήστε το πλήκτρο START και ο διάδρομος θα ξεκινήσει έπειτα από 4 δευτερόλεπτα.

ΒΗΜΑ 4:Κατά την διάρκεια του προγράμματος μπορείτε να ρυθμίσετε την ταχύτητα πατώντας το πλήκτρο SPEED +/- & την κλίση πατώντας INCLINE+/- .Επίσης η ταχύτητα & η κλίση μπορεί να ρυθμιστούν και από τα κουμπιά στις χειρολαβές.

ΒΗΜΑ 5:Πατήστε το πλήκτρο STOP για να σταματήσετε την προπόνηση σας η τραβήξτε το κλειδί ασφαλείας από το κομπιούτερ και ο διάδρομος θα τερματίσει αμέσως. Πατήστε το πλήκτρο STOP και το πρόγραμμα θα σταματήσει αμέσως. Εάν θέλετε να συνεχίσετε πατήστε το πλήκτρο START ,τότε ο διάδρομος θα ξεκινήσει μετά από 4 δευτερόλεπτα και το πρόγραμμα θα ξεκινήσει από εκεί που είχατε σταματήσει. Μετά την παύση του διαδρόμου αν θέλετε ο διάδρομος να είναι σε κατάσταση αναμονής πατήστε το πλήκτρο STOP.

ΣΗΜΕΙΩΣΗ:ΠΡΟΕΠΙΛΕΓΜΕΝΑ ΠΡΟΓΡΑΜΜΑΤΑ

Όλα τα προκαθορισμένα προγράμματα είναι χωρισμένα σε δεκαοχτώ βασικά τμήματα και η ταχύτητα έχει προκαθοριστεί για κάθε τμήμα.

Ο χρόνος που μεσολαβεί από τα δεκαοχτώ τμήματα σε κάθε πρόγραμμα, ορίζετε αυτόματα ανάλογα με το χρόνο που έχετε επιλέξει.

Υπάρχουν 8 προκαθορισμένα προγράμματα για 8 διαφορετικούς στόχους προπόνησης και 8 διαφορετικά επίπεδα έντασης για κάθε ένα στόχο προπόνησης.

ΒΗΜΑ 1: Προσαρμόστε το κλειδί ασφαλείας πάνω στην οθόνη και ο διάδρομος είναι σε κατάσταση ετοιμότητας για να ξεκινήσει.

ΒΗΜΑ 2: Πατήστε το πλήκτρο PROGRAM για να μετακινηθείτε και να επιλέξετε ένα από τα οκτώ προκαθορισμένα προγράμματα προπόνησης και έπειτα την επιλογή BODY FAT . Ένα πρόγραμμα προπόνησης το επιλέγετε κάθε φορά που πιέζετε το πλήκτρο PROGRAM.Αφού έχετε επιλέξει το επίπεδο της έντασης, έπειτα πατήστε το πλήκτρο speed +/- για να ρυθμίσουμε το χρόνο που μεσολαβεί. Η προκαθορισμένη τιμή του χρόνου για κάθε πρόγραμμα είναι 30:00 λεπτά και μπορεί να ρυθμιστεί από 8:00 έως 99:00 λεπτά.

ΒΗΜΑ 3: Αφού έχετε καθορίσει την τιμή του χρόνου, πατήστε το πλήκτρο START για να ξεκινήσετε την προπόνηση σας.

ΒΗΜΑ 4: Κατά την διάρκεια ενός προγράμματος μπορείτε να ρυθμίσετε την ταχύτητα πατώντας το πλήκτρο SPEED+/- στην οθόνη η τα κουμπιά στην δεξιά χειρολαβή. Η τιμή της ταχύτητας αφορά το τμήμα της στιγμής που τρέχετε και όταν τελειώσει η ταχύτητα επανέρχεται στις προκαθορισμένες τιμές.

ΒΗΜΑ 5: Πατήστε το πλήκτρο STOP για να σταματήσετε την προπόνηση σας η τραβήξτε το κλειδί ασφαλείας από το κομπιούτερ και ο διάδρομος θα τερματίσει αμέσως.

ΜΕΤΡΗΣΗ ΤΩΝ ΚΑΡΔΙΑΚΩΝ ΠΑΛΜΩΝ

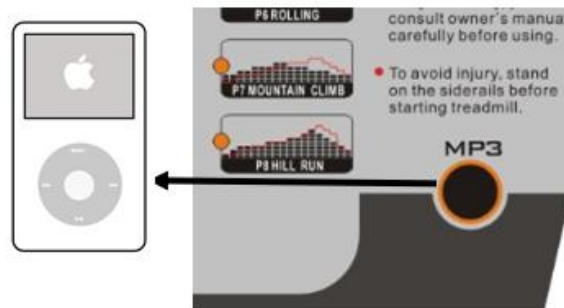
Στο κομπιούτερ του διαδρόμου στο παράθυρο Pulse λειτουργεί η ένδειξη των παλμών σε συνδυασμό με τους δύο αισθητήρες που βρίσκονται στις χειρολαβές. Όταν επιθυμείτε να βλέπετε τους παλμούς σας :

1. Τοποθετήστε και τα δύο σας χέρια σταθερά στους δύο αισθητήρες. Για να έχετε ακριβή μέτρηση είναι υποχρεωτικό να κρατάτε και τους δύο αισθητήρες.
2. Ο εκτιμώμενος χρόνος για να δείτε τους παλμούς σας στο παράθυρο Pulse είναι πέντε δευτερόλεπτα αφού έχετε κρατήσει τους αισθητήρες.
3. Η μέτρηση δεν είναι ακριβής και άτομα με ιατρικές παθήσεις που έχουν την ανάγκη για ακριβή παρακολούθηση της καρδιακής συχνότητας δεν θα πρέπει να βασίζονται στις εκτιμήσεις που παρέχονται.

ΧΡΗΣΗ ΤΩΝ ΛΕΙΤΟΥΡΓΕΙΩΝ ΗΧΟΥ


Όπως δείχνει η φιγούρα συνδέστε την μία άκρη του καλωδίου στην υποδοχή ήχου του κομπιούτερ και την άλλη άκρη στην συσκευή αναπαραγωγή σας, και έπειτα θα ακούτε μουσική από τα ηχεία του κομπιούτερ.


ΣΗΜΕΙΩΣΗ: Η ένταση του ήχου μπορεί να ρυθμιστεί μόνο από την συσκευή αναπαραγωγή σας.





ΘΥΡΑ MP3 PLAYER

Το κομπιούτερ του διαδρόμου έχει ρυθμιστεί να λειτουργεί και σε επιλογή MP3. Μπορεί να χρησιμοποιηθεί ακολουθώντας τις παρακάτω επιλογές. Ενεργοποιήστε τον διακόπτη ρεύματος του διαδρόμου, τοποθετήστε το κλειδί ασφαλείας για να ενεργοποιηθεί η μπλε οθόνη της συσκευής και έπειτα τοποθετήστε στη θύρα USB της κονσόλας το αντίστοιχο USB (στικ).

Πατώντας το αντίστοιχο κουμπί επιλέγετε το επόμενο αρχείο μουσικής. 

Πατώντας το αντίστοιχο κουμπί επιλέγετε το προηγούμενο αρχείο μουσικής. 

Πατώντας το αντίστοιχο κουμπί θα αυξήσετε την ένταση του ήχου στα ηχεία της συσκευής. 

Πατώντας το αντίστοιχο κουμπί θα μειώσετε την ένταση του ήχου στα ηχεία της συσκευής. 

ΣΥΝΔΕΣΗ ΜΕ (SMART)ΕΞΥΠΝΗ ΣΥΣΚΕΥΗ

ΒΗΜΑ 1: Ενεργοποιήστε το Bluetooth της έξυπνης συσκευής σας & αναζητήστε την συσκευή. Έπειτα κάντε κλικ (ok) για να συνδεθεί η συσκευή σας & να γίνει η σύζευξη όταν εμφανιστεί το RUN MUSIC.

ΒΗΜΑ 2: Μετά την σύνδεση, ο ήχος από την έξυπνη συσκευή σας θα αναπαράγεται από τα ηχεία του διαδρόμου.

Είναι συμβατό με την εφαρμογή **i Console+** όπου μπορείτε να έχετε πρόσβαση σε πραγματικές διαδρομές και χάρτες, διαδραστικά βίντεο προπονήσεων και να κρατάτε το αρχείο των δεδομένων της προπόνησης σας. Κατέβασε στο smart phone ή στο tablet την εφαρμογή I Console+ από το Google Play για Android και από το APP Store για IOS ή χρησιμοποιώντας το παρακάτω Scan QR code.



- [1]** Εισέλθετε στην εφαρμογή iConsole και αφού δημιουργήσετε τον προσωπικό σας λογαριασμό κάντε κλικ στο “GET STARTED” που βρίσκεται πάνω δεξιά.
- [2]** Πατήστε οποιοδήποτε από τα προγράμματα και θα εμφανιστεί αμέσως ένα παράθυρο σύνδεσης όπου θα πρέπει να συνδέσετε την εφαρμογή iConsole με το διάδρομο γυμναστικής.
- [3]** Πατήστε για να γίνει σύζευξη της εφαρμογής με τον διάδρομο γυμναστικής όταν εμφανιστεί το «iConsole -XXXX» (το X σημαίνει τυχαίο ψηφίο).

Υποστηριζόμενες εκδόσεις για το iConsole:

-Για συσκευές Android: 5.0 ή νεότερες εκδόσεις.

-Για συσκευές IOS: 11.0 ή νεότερες εκδόσεις. Είναι συμβατό με iPhone, iPad, and iPod touch.

Είναι συμβατό με την εφαρμογή **Kinomap** (απαιτείται συνδρομή). Κατέβασε στο smart phone ή στο tablet την εφαρμογή Kinomap (Google Play για Android & APP Store για IOS).

Προπονήσου σε όλο τον κόσμο με διαδραστικά βίντεο και διαδρομές και ο διάδρομος θα προσαρμόσει αυτόματα την κλίση ανάλογα με την διαδρομή που επέλεξες.

Εξερεύνησε όλο τον κόσμο, παρακολούθησε τις επιδόσεις σου , μοιράσου την εμπειρία σου με όλη την κοινότητα του Kinomap.

Προσκαλέστε και ανταγωνιστείτε με άλλους χρήστες της εφαρμογής Kinomap ή ακόμα μπορείτε και να προπονηθείτε μόνοι σας ξεπερνώντας οποιαδήποτε προηγούμενη επίδοση σας!

Αναζητήστε, πραγματοποιήστε λήψη και εγκαταστήστε την εφαρμογή Kinomap μέσω του Apple Store για συσκευές IOS ή μέσω του Google Play για συσκευές android.

- [1]** Εισέλθετε στην εφαρμογή Kinomap και επιλέξτε τη σελίδα [Περισσότερα].
- [2]** Επιλέξτε για να προσθέσετε περισσότερο εξοπλισμό γυμναστικής.
- [3]** Επιλέξτε και κάντε κλικ στο εικονίδιο του διαδρόμου γυμναστικής.
- [4]** Πατήστε την εφαρμογή I Console για είσοδο.
- [5]** Πατήστε για να γίνει σύζευξη της εφαρμογής με τον διάδρομο γυμναστικής όταν εμφανιστεί το «iConsole -XXXX» (το X σημαίνει τυχαίο ψηφίο).
- [6]** Βρείτε το αγαπημένο σας βίντεο για να ξεκινήσετε την προπόνηση σας



Υποστηριζόμενες εκδόσεις για το KINOMAP:

-Για συσκευές Android: 5.0 ή νεότερες εκδόσεις.

-Για συσκευές IOS: 9.0 ή νεότερες εκδόσεις. Είναι συμβατό με iPhone, iPad, and iPod touch.

ΕΝΔΕΙΞΗ ΜΕΤΡΗΣΗ ΛΙΠΟΥΣ

Αυτή η λειτουργία είναι να εκτιμηθεί το σωματικό λίπος σας, σύμφωνα με τις βασικές πληροφορίες της κατάστασης του σώματος σας.

Αυτή η εκτίμηση δεν είναι ακριβής και τα άτομα με ιατρικές παθήσεις ή / και μια συγκεκριμένη ανάγκη για ακριβή αξία του σωματικού λίπους δεν θα πρέπει να βασίζονται στις εκτιμήσεις που παρέχονται.

ΒΗΜΑ 1: Πατήστε το πλήκτρο PROGRAM επανειλημμένα, στην δωδέκατη φορά στην οθόνη στο παράθυρο TIME θα εμφανιστεί η ένδειξη FAT. Πατήστε το πλήκτρο MODE για να ρυθμίσετε τις σχετικές παραμέτρους: το φύλο, την ηλικία, το ύψος και το βάρος.

ΒΗΜΑ 2: Μετά την εισαγωγή της λειτουργίας του σωματικού λίπους, στο παράθυρο SPEED θα εμφανιστεί ο αριθμός F1, στο παράθυρο PULSE θα εμφανιστεί ο αριθμός 1 όπου αντιπροσωπεύει το φύλο, πατήστε το πλήκτρο SPEED +/- για να ρυθμίσετε το φύλο 1-2. Το 1 αντιπροσωπεύει το αρσενικό και το 2 αντιπροσωπεύει το θηλυκό. Στη συνέχεια πατήστε το πλήκτρο MODE για να μεταβείτε στο επόμενο βήμα.

ΒΗΜΑ 3: Αφού πιέσετε το πλήκτρο MODE, στο παράθυρο SPEED θα εμφανιστεί το F 2, στο παράθυρο PULSE θα εμφανιστεί το 25 που αντιπροσωπεύει την ηλικία, πατήστε το πλήκτρο SPEED +/- για να ρυθμίσετε την ηλικία 1-99. Στη συνέχεια πατήστε το πλήκτρο MODE για να μεταβείτε στο επόμενο βήμα.

ΒΗΜΑ 4: Μετά το πάτημα του πλήκτρου MODE, στο παράθυρο SPEED θα εμφανιστεί το F 3, το παράθυρο PULSE θα εμφανίσει 170, όπου αντιπροσωπεύει το ύψος, πατήστε το πλήκτρο SPEED +/- για να ρυθμίσετε το ύψος από 100CM-199CM. Στη συνέχεια πατήστε το πλήκτρο MODE για να μεταβείτε στο επόμενο βήμα.

ΒΗΜΑ 5: Αφού πιέσετε το πλήκτρο MODE, το παράθυρο SPEED θα εμφανίσει το F 4, το παράθυρο PULSE θα εμφανίσει 70, όπου αντιπροσωπεύει το βάρος, πατήστε το πλήκτρο SPEED +/- για να ρυθμίσετε το βάρος από 20kg-150kg. Στη συνέχεια πατήστε το πλήκτρο MODE για να μεταβείτε στο επόμενο βήμα.

ΒΗΜΑ 6: Αφού ολοκληρωθεί η ρύθμιση με την εισαγωγή όλων των στοιχείων για την κατάσταση του σώματος σας, πατήστε το πλήκτρο MODE και στη συνέχεια στο παράθυρο SPEED θα εμφανιστεί το F 5, στο παράθυρο PULSE, θα εμφανιστεί η ένδειξη "---", αυτό σημαίνει την έναρξη για τον υπολογισμό των στοιχείων. Στη συνέχεια κρατήστε τους αισθητήρες παλμών με τα δύο σας χέρια από τις χειρολαβές και μετά από 8 δευτερόλεπτα η ένδειξη του σωματικού λίπους θα πρέπει να εμφανίζεται στο παράθυρο PULSE.

ΠΙΝΑΚΑΣ ΓΙΑ ΤΟ ΣΩΜΑΤΙΚΟ ΛΙΠΟΣ

Το αποτέλεσμα που δίνεται για το σωματικό λίπος στον παρακάτω πίνακα είναι μια αναφορά της κατάστασης του σώματος, ελέγξτε την κατάσταση του σώματός σας, ανάλογα με το αριστερό γράφημα με το αποτέλεσμα που παίρνετε από τον διάδρομο.

Κατάσταση σώματος	Αποτέλεσμα
Παχύσαρκος	BMI > 30
Υπέρβαρος	26 < BMI < 30
Σε φόρμα	19 < BMI < 25
Λιποβαρής	BMI < 19

ΠΙΝΑΚΕΣ ΠΡΟΕΠΙΛΕΓΜΕΝΩΝ ΠΡΟΓΡΑΜΜΑΤΩΝ

P1. WEIGHT LOST

SPEED CHANGES		1	2	3	4	5	6	7	8	9	10	11	12	13	14	15	16	17	18
Level 1	SPEED(KM/H)	1	2	2	3	3	3	4	5	6	6	7	6	5	4	4	3	2	2
Level 2	SPEED(KM/H)	1	2	2	3	4	4	5	6	8	8	10	8	8	5	5	3	2	2
Level 3	SPEED(KM/H)	1	2	3	4	5	5	6	8	9	10	12	10	8	7	6	4	3	2
Level 4	SPEED(KM/H)	1	2	3	4	6	7	8	10	11	12	13	11	10	8	7	5	4	2
Level 5	SPEED(KM/H)	2	3	4	5	7	7	8	10	12	14	14	13	12	10	9	6	4	2
Level 6	SPEED(KM/H)	2	3	4	5	7	9	10	12	13	14	14	13	12	10	9	6	5	3
Level 7	SPEED(KM/H)	2	3	5	6	8	9	10	12	13	14	15	13	12	10	9	6	6	3
Level 8	SPEED(KM/H)	2	3	5	6	8	10	12	14	14	15	15	14	13	11	9	7	6	3

P2. CARDIO TRAIN

SPEED & INCLINE CHANGES		1	2	3	4	5	6	7	8	9	10	11	12	13	14	15	16	17	18
Level 1	ELEVATION	1	1	2	3	4	5	6	7	7	8	8	7	7	5	4	2	1	1
	SPEED(KM/H)	1	1	2	2	3	4	5	6	6	7	7	6	6	4	3	2	1	1
Level 2	ELEVATION	1	2	3	4	5	6	7	8	8	9	9	8	8	6	5	3	2	1
	SPEED(KM/H)	1	2	2	3	4	5	6	7	7	8	8	7	7	5	4	2	2	1
Level 3	ELEVATION	1	2	4	5	6	7	8	9	9	10	10	9	9	7	6	4	2	1
	SPEED(KM/H)	1	2	3	4	5	6	7	8	8	9	9	8	8	6	5	3	2	1
Level 4	ELEVATION	2	3	5	6	7	8	9	10	10	11	11	10	10	8	7	5	3	2
	SPEED(KM/H)	2	2	4	5	6	7	8	9	9	10	10	9	9	7	6	4	2	2
Level 5	ELEVATION	2	4	6	7	8	9	10	11	11	12	12	11	11	9	8	6	4	2
	SPEED(KM/H)	2	3	5	6	7	8	9	10	10	11	11	10	10	8	7	5	3	2
Level 6	ELEVATION	3	5	7	8	9	10	11	12	12	13	13	12	12	10	9	7	5	3
	SPEED(KM/H)	2	4	6	7	8	9	10	11	11	12	12	11	11	9	8	6	4	2
Level 7	ELEVATION	4	6	8	9	10	11	12	13	13	14	14	13	13	11	10	8	6	4
	SPEED(KM/H)	3	5	7	8	9	10	11	12	12	13	13	12	12	10	9	7	5	3
Level 8	ELEVATION	5	7	9	10	11	12	13	14	14	15	15	14	14	12	11	9	7	5
	SPEED(KM/H)	4	6	8	9	10	11	12	13	13	14	14	13	13	11	10	8	6	4

P3. FAT BURN

SPEED CHANGES		1	2	3	4	5	6	7	8	9	10	11	12	13	14	15	16	17	18
Level 1	SPEED(KM/H)	1	1	2	2	3	3	4	4	4	4	4	4	3	2	2	2	1	1
Level 2	SPEED(KM/H)	1	2	2	2	3	3	4	4	5	4	4	4	3	3	2	2	1	1
Level 3	SPEED(KM/H)	1	2	2	3	3	4	4	5	5	5	4	4	4	3	3	2	1	1
Level 4	SPEED(KM/H)	1	2	3	3	3	4	4	5	6	6	5	4	4	4	3	2	2	1
Level 5	SPEED(KM/H)	1	2	3	4	4	5	5	5	6	6	6	5	4	4	4	3	2	1
Level 6	SPEED(KM/H)	1	2	3	4	5	5	6	6	6	6	6	5	5	4	4	3	2	1
Level 7	SPEED(KM/H)	1	2	3	4	5	6	6	7	7	6	6	6	5	5	4	3	2	1
Level 8	SPEED(KM/H)	1	2	3	4	5	6	7	7	7	7	6	6	6	5	5	4	2	1

P4. POWER WALK

SPEED & INCLINE CHANGES		1	2	3	4	5	6	7	8	9	10	11	12	13	14	15	16	17	18
Level 1	ELEVATION	1	1	2	2	3	3	4	5	5	5	5	4	4	3	2	2	1	1
	SPEED(KM/H)	1	2	3	3	5	6	7	8	8	8	8	7	7	5	4	3	2	1
Level 2	ELEVATION	1	1	2	2	3	4	5	6	6	6	6	5	5	4	3	2	1	1
	SPEED(KM/H)	1	2	3	4	6	7	8	9	9	9	9	8	8	6	5	3	2	1
Level 3	ELEVATION	1	1	2	3	4	5	6	7	7	7	7	6	6	4	3	2	1	1
	SPEED(KM/H)	1	2	4	5	7	8	9	10	10	10	10	9	9	7	6	4	2	1
Level 4	ELEVATION	1	2	3	4	5	6	7	8	8	8	8	7	7	5	4	3	2	1
	SPEED(KM/H)	2	3	5	6	8	9	10	11	11	11	11	10	10	8	7	5	3	2
Level 5	ELEVATION	1	2	3	4	6	7	8	9	9	9	9	8	8	6	5	3	2	1
	SPEED(KM/H)	2	4	6	7	9	10	11	12	12	12	12	11	11	9	8	6	4	2
Level 6	ELEVATION	2	3	4	5	7	8	9	10	10	10	10	9	9	7	6	4	3	2
	SPEED(KM/H)	3	5	7	8	10	11	12	13	13	13	13	12	12	10	9	7	5	3
Level 7	ELEVATION	2	3	5	6	8	9	10	11	11	11	11	10	10	8	7	5	3	2
	SPEED(KM/H)	4	6	8	9	11	12	13	14	14	14	14	13	13	11	10	8	6	4
Level 8	ELEVATION	2	4	6	7	9	10	11	12	12	12	12	11	11	9	8	6	4	2
	SPEED(KM/H)	4	7	9	10	12	13	14	15	15	15	15	14	14	12	11	9	7	4

P5. INTERVAL

SPEED CHANGES		1	2	3	4	5	6	7	8	9	10	11	12	13	14	15	16	17	18
Level 1	SPEED(KM/H)	1	2	4	2	4	2	4	2	4	2	4	2	4	2	4	2	4	2
Level 2	SPEED(KM/H)	1	2	5	2	5	2	5	2	5	2	5	2	5	2	5	2	5	2
Level 3	SPEED(KM/H)	1	2	6	2	6	2	6	2	6	2	6	2	6	2	6	2	6	2
Level 4	SPEED(KM/H)	1	3	6	3	6	3	6	3	6	3	6	3	6	3	6	3	6	3
Level 5	SPEED(KM/H)	1	3	7	3	7	3	7	3	7	3	7	3	7	3	7	3	7	3
Level 6	SPEED(KM/H)	2	4	7	4	7	4	7	4	7	4	7	4	7	4	7	4	7	4
Level 7	SPEED(KM/H)	2	4	8	4	8	4	8	4	8	4	8	4	8	4	8	4	8	4
Level 8	SPEED(KM/H)	2	5	8	5	8	5	8	5	8	5	8	5	8	5	8	5	8	5

P6. ROLLING

SPEED CHANGES		1	2	3	4	5	6	7	8	9	10	11	12	13	14	15	16	17	18
Level 1	SPEED(KM/H)	1	2	3	2	1	2	3	2	1	2	3	2	1	2	3	2	1	1
Level 2	SPEED(KM/H)	2	3	4	3	2	3	4	3	2	3	4	3	2	3	4	3	2	2
Level 3	SPEED(KM/H)	2	3	4	5	4	3	4	5	4	3	4	5	4	3	4	5	4	3
Level 4	SPEED(KM/H)	2	4	5	6	5	4	5	6	5	4	5	6	5	4	5	6	5	3
Level 5	SPEED(KM/H)	2	5	6	7	6	5	6	7	6	5	6	7	5	6	7	6	5	3
Level 6	SPEED(KM/H)	3	6	7	8	7	6	7	8	7	6	7	8	7	6	7	8	7	4
Level 7	SPEED(KM/H)	3	7	8	9	8	7	8	9	8	7	8	9	8	7	8	9	8	4
Level 8	SPEED(KM/H)	3	8	9	10	9	8	9	10	9	8	9	10	9	8	9	10	8	4

P7. MOUNTAIN CLIMB

SPEED & INCLINE CHANGES		1	2	3	4	5	6	7	8	9	10	11	12	13	14	15	16	17	18
Level 1	ELEVATION	0	1	1	2	2	3	3	4	4	5	6	7	8	7	6	4	2	0
	SPEED(KM/H)	1	1	2	2	3	3	3	4	4	4	3	3	3	2	2	2	1	1
Level 2	ELEVATION	0	1	2	2	3	3	4	4	5	6	7	8	9	8	6	4	2	0
	SPEED(KM/H)	1	1	2	2	3	3	3	4	4	4	3	3	3	2	2	2	1	1
Level 3	ELEVATION	1	1	2	3	3	4	4	5	6	7	8	9	10	9	8	6	4	2
	SPEED(KM/H)	1	1	2	2	3	3	3	4	4	4	3	3	3	2	2	2	1	1
Level 4	ELEVATION	1	2	2	3	3	4	5	6	7	8	9	10	11	10	8	7	5	3
	SPEED(KM/H)	2	2	3	3	4	4	4	5	5	4	4	4	3	3	3	2	2	2
Level 5	ELEVATION	1	2	3	4	5	6	7	8	9	9	10	11	12	11	10	8	6	4
	SPEED(KM/H)	2	2	3	3	4	4	4	5	5	4	4	4	3	3	3	2	2	2
Level 6	ELEVATION	2	2	3	4	5	6	7	8	9	10	11	12	13	12	10	8	6	4
	SPEED(KM/H)	2	2	3	3	4	4	4	5	5	4	4	4	3	3	3	2	2	2
Level 7	ELEVATION	2	3	4	5	6	7	8	9	10	11	12	13	14	13	10	8	6	4
	SPEED(KM/H)	2	2	4	4	5	5	5	6	6	6	5	5	4	4	4	2	2	2
Level 8	ELEVATION	3	4	5	6	7	8	9	10	11	12	13	14	15	13	10	8	6	4
	SPEED(KM/H)	2	2	4	4	5	5	5	6	6	6	5	5	4	4	4	2	2	2

P8. HILL RUN

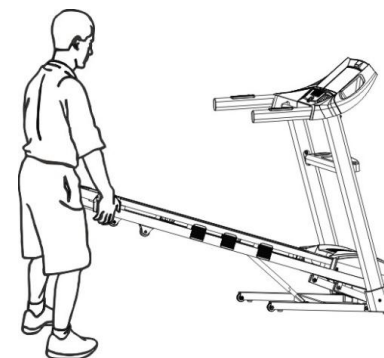
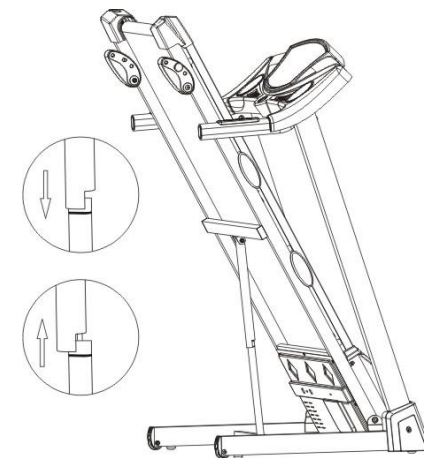
SPEED & INCLINE CHANGES		1	2	3	4	5	6	7	8	9	10	11	12	13	14	15	16	17	18
Level 1	ELEVATION	0	0	1	1	2	2	2	3	3	3	4	4	5	5	4	3	2	1
	SPEED(KM/H)	2	2	2	3	3	3	5	5	7	7	9	9	10	8	8	6	4	2
Level 2	ELEVATION	0	0	1	1	2	2	2	3	3	3	4	4	5	6	5	3	2	1
	SPEED(KM/H)	2	2	2	4	4	4	6	6	6	8	8	10	10	8	8	6	4	2
Level 3	ELEVATION	0	0	1	1	2	2	3	3	3	4	4	5	5	6	5	3	2	1
	SPEED(KM/H)	2	2	4	4	4	6	6	6	8	8	10	10	12	10	8	6	4	2
Level 4	ELEVATION	0	1	1	2	2	3	3	4	4	4	5	5	6	7	6	5	3	2
	SPEED(KM/H)	2	2	4	4	6	6	8	8	8	10	10	10	12	12	10	7	5	3
Level 5	ELEVATION	1	1	2	2	3	3	4	4	5	5	6	6	7	8	7	6	3	2
	SPEED(KM/H)	2	4	6	6	6	6	8	8	8	10	10	12	13	12	10	7	5	3
Level 6	ELEVATION	1	2	3	4	4	4	5	5	6	6	7	8	8	8	7	6	3	2
	SPEED(KM/H)	2	4	6	6	6	6	8	8	10	10	12	13	13	12	10	7	5	3
Level 7	ELEVATION	1	2	3	4	5	6	6	7	7	8	8	9	10	10	9	6	3	2
	SPEED(KM/H)	2	4	6	6	8	8	10	10	12	13	13	14	13	12	10	7	5	3
Level 8	ELEVATION	1	2	3	4	6	6	7	7	8	8	9	9	10	12	9	6	3	2
	SPEED(KM/H)	2	4	6	8	10	10	12	12	13	13	14	14	13	12	10	7	5	3

ΑΝΑΔΙΠΛΩΣΗ ΤΟΥ ΔΙΑΔΡΟΜΟΥ

1. Για να αναδιπλώσετε τον διάδρομο, πρώτα από όλα κλείστε τον διακόπτη.
2. Βεβαιωθείτε ότι ο διάδρομος δεν έχει κάποια κλίση.
3. Σηκώστε προς τα πάνω το κεντρικό πλαίσιο για να ευθυγραμμιστεί και να έρθει σε παράλληλη θέση με τον υπόλοιπο σκελετό του διαδρόμου.
Στερεώστε το δάπεδο με τον ειδικό σωλήνα στήριξης όπως φαίνεται και από την εικονογραφημένη εικόνα.
4. Βεβαιωθείτε ότι το δάπεδο βρίσκεται στην σωστή θέση με τον σωλήνα στήριξης.

ΕΚΔΙΠΛΩΣΗ ΤΟΥ ΔΙΑΔΡΟΜΟΥ

1. Για την εκδίπλωση του διαδρόμου φροντίστε να υπάρχει χώρος επαρκής για να γίνει σωστά, αφήστε χώρο περίπου ενός μέτρου γύρω από τον διάδρομο, χωρίς να υπάρχουν εμπόδια για την καλή λειτουργία του και τοποθέτηση του στον χώρο σας.
2. Στη συνέχεια κρατώντας με τα 2 χέρια σας τον βασικό σκελετό του διαδρόμου με το πόδι σας ακουμπήστε το αμορτισέρ στήριξης ώστε ο διάδρομος να απασφαλίσει και έπειτα σπρώξτε προς τα πίσω με ήπιες κινήσεις, τότε ο βασικός σκελετός κατεβαίνει αυτόματα και πριν φτάσει στο ένα μέτρο απόστασης από το δάπεδο θα πρέπει να έχετε αφήσει απόσταση ένα μέτρο από τον διάδρομο για να έρθει στην τελική θέση όπως δείχνει και η εικονογράφηση.



ΠΩΣ ΝΑ ΜΕΤΑΦΕΡΕΤΕ ΤΟΝ ΔΙΑΔΡΟΜΟ

- 1: Απενεργοποιείστε τον διακόπτη.
- 2: Βγάλτε το βύσμα από την πρίζα.
- 3: Αναδιπλώστε τον διάδρομο.

Στην συνέχεια, αφού έχετε ακολουθήσει τα 3 αναφερθέντα βασικά βήματα, κρατήστε τις χειρολαβές και ανασηκώστε τον περίπου 30-40 μοίρες ως το στήθος και μπορείτε να τον μεταφέρετε όπως δείχνει και η εικονογραφημένη φωτογραφία



ΠΩΣ ΘΑ ΒΑΛΕΤΕ ΛΙΠΑΝΤΙΚΟ ΣΤΟ ΔΑΠΕΔΟ ΤΟΥ ΤΡΕΞΙΜΑΤΟΣ

1^ο ΒΗΜΑ Τοποθετείστε τον τάπητα τρεξίματος έτσι ώστε η ραφή να είναι προς τα πάνω και στο κέντρο του δαπέδου.

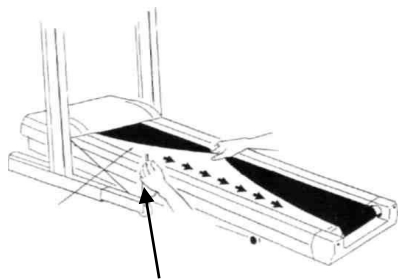
2^ο ΒΗΜΑ Ενώ σηκώνετε την άκρη του τάπητα τρεξίματος, τοποθετείστε το ακροφύσιο του σπρέι ανάμεσα στον τάπητα τρεξίματος και το δάπεδο περίπου 6 “ (ίντσες) από το μπροστινό τμήμα του διαδρόμου. Απλώστε το σπρέι της σιλικόνης στα δάπεδο μετακινώντας το από το μπροστινό μέρος του διαδρόμου προς τα πίσω. Επαναλάβετε την διαδικασία και από την άλλη πλευρά του τάπητα. Ψεκάστε περίπου για 4 δευτερόλεπτα από κάθε πλευρά.

3^ο ΒΗΜΑ Αφήστε την σιλικόνη να «σταθεί» για ένα λεπτό πριν χρησιμοποιήσετε τον διάδρομο. Έπειτα ενεργοποιήστε τον διάδρομο & βάλτε τον στην ταχύτητα 3km & αφήστε τον να λειτουργεί για άλλα 5 λεπτά χωρίς να ανέβει κανείς επάνω. Θα μπορείτε να χρησιμοποιήσετε τον διάδρομο μετά από 1 ώρα. Αυτή την συγκεκριμένη διαδικασία θα ακολουθείτε πάντα όταν θα πρέπει να κάνετε λίπανση στο δάπεδο του διαδρόμου.

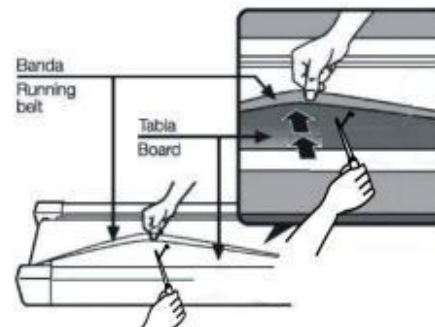
ΠΡΟΕΙΔΟΠΟΙΗΣΗ ΣΗΜΑΝΤΙΚΗ : Μην υπέρ – λιπάνετε το δάπεδο τρεξίματος. Υπερβολική ποσότητα λιπαντικού πρέπει να απομακρυνθεί σκουπίζοντας την με μία πετσέτα. . Επίσης είναι σημαντικό για την πρώτη φορά όταν ο διάδρομος συναρμολογηθεί από την συσκευασία του & πριν μπει σε λειτουργία να λιπάνετε το δάπεδο με το παχύρευστο λιπαντικό σιλικόνης που περιλαμβάνετε στο σετ συναρμολόγησης. Έπειτα από 15 ώρες καθημερινής χρήσης του διαδρόμου ή δύο μήνες αν δεν χρησιμοποιείται καθημερινά πρώτα με ένα πανί θα καθαρίζετε την παλιά λίπανση & έπειτα θα λιπαίνετε το δάπεδο με το ειδικό λιπαντικό σιλικόνης που είναι σε μορφή σπρέι & το προμηθεύετε μόνο από καταστήματα οργάνων γυμναστικής.

Ο ιμάντας τρεξίματος (τάπητας) του διαδρόμου είναι αναλώσιμο υλικό τριβής & η μέγιστη διάρκεια καλής λειτουργίας του είναι τα 3 έτη. Έπειτα θα πρέπει να αντικατασταθεί από εξουσιοδοτημένο service. Επίσης όταν ένας διάδρομος δεν χρησιμοποιείται για μεγάλο χρονικό διάστημα ο τάπητας χαλάει γιατί ξεραίνεται από την μη χρήση & πάλι χρήζει αντικατάστασης γιατί θα δημιουργήσει κάποιο βραχυκύκλωμα στα ηλεκτρικά μέρη του διαδρόμου.

ΠΡΟΣΟΧΗ!!! ΑΝ ΓΙΝΕΤΑΙ ΕΝΤΑΤΙΚΉ ΧΡΗΣΗ ΤΟΥ ΔΙΑΔΡΟΜΟΥ ΕΝΑΣ ΙΜΑΝΤΑΣ (ΤΑΠΗΤΑΣ) ΜΠΟΡΕΙ ΝΑ ΧΡΗΣΕΙ ΑΝΤΙΚΑΤΑΣΤΑΣΗΣ ΣΕ ΜΙΚΡΟΤΕΡΟ ΧΡΟΝΙΚΟ ΔΙΑΣΤΗΜΑ ΑΠΟ 18 ΕΩΣ 24 ΜΗΝΕΣ.



Το λιπαντικό όχι στις άκρες όσο το δυνατό προς στο κέντρο του δαπέδου.



ΠΡΟΕΙΔΟΠΟΙΗΣΗ ΓΙΑ ΤΟ ΣΠΡΕΙ ΣΙΛΙΚΟΝΗΣ ΚΡΑΤΗΣΤΕ ΤΟ ΜΑΚΡΙΑ ΑΠΟ ΤΑ ΠΑΙΔΙΑ !!!

Αν υπάρξει κατάποση ή ψεκασμός κατευθείαν στο πρόσωπο ζητήστε ιατρική συμβουλή.

Αυτό το προϊόν μπορεί να προκαλέσει βλάβη ή απώλεια αν δεν χρησιμοποιηθεί σύμφωνα με τις οδηγίες χρήσης του.

Αυτό το προϊόν πωλείται για την περίπτωση της λίπανσης και μόνο και με την προϋπόθεση ότι θα χρησιμοποιείται αποκλειστικά με ευθύνη του αγοραστή και ότι οι κατασκευαστές και αντιπρόσωποι δεν φέρουν καμία ευθύνη σε σχέση με αυτό το προϊόν.

Καθαρισμός

Αφαιρέστε την σκόνη από τον διάδρομο με ηλεκτρική σκούπα ή με ένα πανί ελαφρά νοτισμένο. Αναδιπλώστε το δάπεδο και καθαρίζετε τακτικά το πάτωμα με ηλεκτρική σκούπα. Αυτό θα σας βοηθήσει να επιμηκύνετε την διάρκεια της ζωής του διαδρόμου σας. Μην χρησιμοποιείτε ποτέ διαλυτικά στο δάπεδο ή στον τάπητα τρεξίματος. Η χρήση των διαλυτικών μπορεί να μειώσει την απαραίτητη λίπανση του δαπέδου και του τάπητα.

Κεντράρισμα του ιμάντα τρεξίματος

Όταν τρέχετε ή περπατάτε, μπορείτε να ασκείτε μεγαλύτερη δύναμη με το ένα πόδι απ' ό,τι το άλλο. Αυτό θα κάνει τον τάπητα να τρεξίματος να φύγει από το κέντρο. Αυτός ο διάδρομος έχει σχεδιαστεί και κατασκευαστεί ώστε να εξασφαλίζει η σωστή κίνηση του τάπητα να είναι πάντα κεντραρισμένη επάνω στο δάπεδο τρεξίματος. Περιστασιακά ο τάπητας ίσως χρειάζεται επιπλέον ρύθμιση για να διατηρηθεί κεντραρισμένος. Για να κεντράρετε τον τάπητα, χρησιμοποιείτε το εσώκλειστο κλειδί Allen για να ρυθμίσετε τη θέση του πίσω ράουλου.

Διαδικασία κεντραρίσματος του τάπητα τρεξίματος

- 1.) Μην φοράτε φαρδιά ρούχα, γραβάτες, ή φαρδιά κοσμήματα όταν κάνετε αυτή την ρύθμιση.
- 2.) Μην στρέψετε ποτέ τα μπουλόνια περισσότερο από $\frac{1}{4}$ της στροφής κάθε φορά.
- 3.) Πάντοτε να σφίγγετε την μία πλευρά και να χαλαρώνετε την άλλη για να εμποδίσετε υπερβολικό σφίξιμο ή χαλάρωση του τάπητα.
- 4.) Λειτουργήστε τον διάδρομο. Ρυθμίστε τον τάπητα όταν λειτουργεί ο διάδρομος με (4 χλμ/ώρα - km/h) χωρίς να βρίσκεται κάποιος πάνω στον τάπητα.

Αφού κάνετε την ρύθμιση, περπατήστε επάνω στον τάπητα για 5 λεπτά περίπου για να τον ελέγξετε. Αν είναι απαραίτητο να επαναλάβετε την διαδικασία αλλά ποτέ μην στρέψετε τα μπουλόνια περισσότερο από $\frac{1}{4}$ της στροφής κάθε φορά. Υπερβολικό σφίξιμο του τάπητα μπορεί να μειώσει σημαντικά την διάρκεια ζωής του τάπητα.

ΑΝ Ο ΙΜΑΝΤΑΣ ΚΛΙΝΕΙ ΑΠΟ ΑΡΙΣΤΕΡΑ :

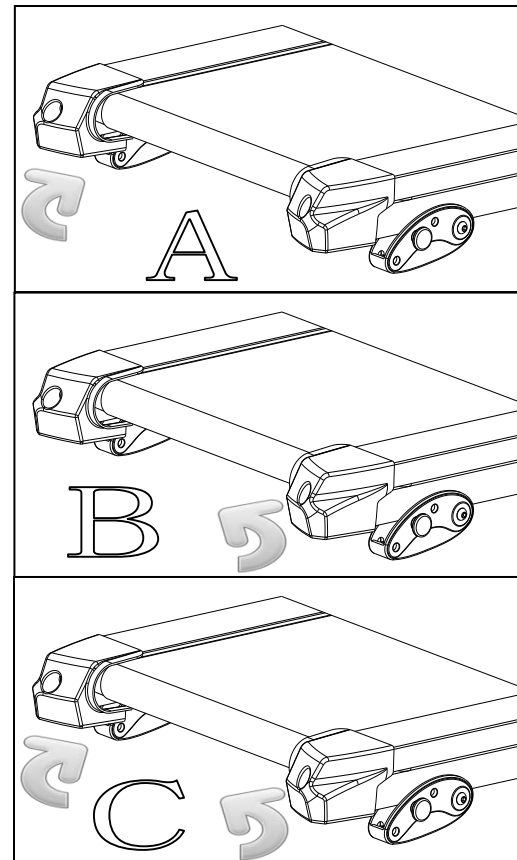
- Στρέψτε το μπουλόνι του αριστερού ράουλου κατά $\frac{1}{4}$ της στροφής δεξιόστροφα (σφίξιμο – τάνυση).
- Στρέψτε το μπουλόνι του δεξιού ράουλου κατά $\frac{1}{4}$ της στροφής αριστερόστροφα (χαλάρωση).

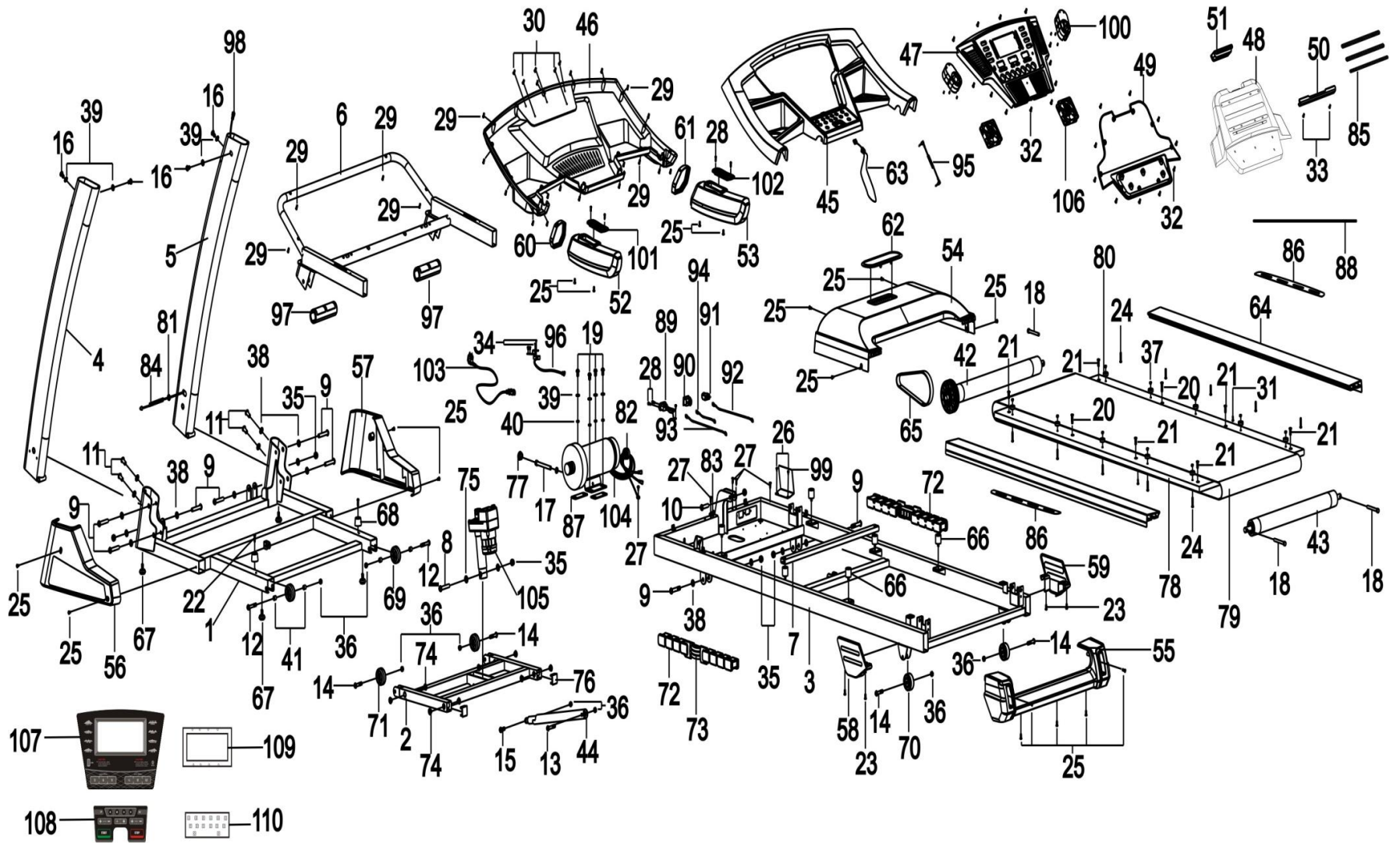
ΑΝ Ο ΙΜΑΝΤΑΣ ΚΛΙΝΕΙ ΑΠΟ ΔΕΞΙΑ :

- Στρέψτε το μπουλόνι του δεξιού ράουλου κατά $\frac{1}{4}$ της στροφής δεξιόστροφα (σφίξιμο – τάνυση).
- Στρέψτε το μπουλόνι του αριστερού ράουλου κατά $\frac{1}{4}$ της στροφής αριστερόστροφα (χαλάρωση).

ΡΥΘΜΙΣΗ ΤΑΝΥΣΗΣ ΤΟΥ ΙΜΑΝΤΑ ΤΡΕΞΙΜΑΤΟΣ

Αν όταν βάζετε το πόδι επάνω στον τάπητα τρεξίματος, αισθάνεστε να γλιστράει τότε ο τάπητα έχει γίνει ελαστικός και γλιστρά από τα ράουλα. Όλοι οι τάπητες αποκτούν ελαστικότητα με τον καιρό. Αυτή είναι μία φυσιολογική και συνηθισμένη ρύθμιση σε κάθε διάδρομο. Για να μειώσουμε το γλιστρήμα, στρέψτε και τα 2 μπουλόνια Allen του οπίσθιου ράουλου κατά το $\frac{1}{4}$ της στροφής όπως φαίνεται. Δοκιμάστε τον διάδρομο ξανά για να ελέγξετε αν γλιστράει. Επαναλάβετε εφόσον είναι απαραίτητο αλλά ποτέ μην στρέψετε τα μπουλόνια του ράουλου περισσότερο από $\frac{1}{4}$ της στροφής κάθε φορά.





NO.	DESCRIPTION	Q'TY	NO.	DESCRIPTION	Q'TY
1	BASE	1	43	REAR ROLLER	
2	INCLINE RACK	1	44	AIR CYLINDER	
3	MAIN FRAME	1	45	CONSOLE PLASTIC HOUSING-UPPER	
4	LEFT UPRIGHT	1	46	CONSOLE PLASTIC HOUSING-BOTTOM	
5	RIGHT UPRIGHT	1	47	COMPUTER PLASTIC	
6	CONSOLE RACK	1	48	IPAD RACK-FRONT CASE	
7	CROSS BAR	1	49	IPAD RACK-BACK CASE	
8	BOLT M10*60	1	50	IPAD RACK	
9	BOLT M10*55	8	51	IPAD FIXED PLATE	
10	BOLT M10*40	1	52	HANDRAIL FOAM-L	
11	BOLT M10*25	4	53	HANDRAIL FOAM-R	
12	BOLT M8*50	2	54	MOTOR COVER	1
13	BOLT M8*45	1	55	REAR END CAP	1
14	BOLT M8*40	4	56	BASE COVER-L	1
15	BOLT M8*28	1	57	BASE COVER-R	1
16	BOLT M8*15	4	58	FRAME WHEEL COVER-L	1
17	BOLT M8*90	1	59	FRAME WHEEL COVER-R	1
18	BOLT M8*65	3	60	HANDRAIL PVC RING-L	1
19	BOLT M8*15	4	61	HANDRAIL PVC RING-R	1
20	BOLT M6*45	2	62	MOTOR COVER LOGO PLATE	1
21	BOLT M6*25	6	63	SAFETY KEY	1
22	BOLT M6*20	2	64	SIDE RAIL	2
23	BOLT M6*10	4	65	MOTOR BELT	1
24	BOLT M5*28	10	66	BASE CUSHION	6
25	BOLT M5*12	17	67	BASE FOOT PAD	4
26	SCREWS M4*15	2	68	BASE CUSHION	2
27	SCREWS M4*12	5	69	MOVING WHEEL	2
28	SCREWS M4*15	2	70	FRAME WHEEL	2
29	SCREWS M4*12	23	71	INCLINE MOVING WHEEL	2
30	SCREWS M4*15	5	72	AIR CUSHION	4
31	SCREWS M4*25	2	73	SPRING CUSHION	2
32	SCREWS M4*10	21	74	PLASTIC BUSHION(FOR INCLINE)	8
33	SCREWS M3*10	2	75	PLASTIC BUSHION FOR INCLINE MOTOR	2
34	SCREWS M3*6	13	76	BASE END CAP	2
35	NUT M10	6	77	END CAP FOR MOTOR	1
36	NUT M8	8	78	RUNNING DECK	1
37	NUT M5	10	79	RUNNING BELT	1
38	FLAT WASHER $\phi 20 \times \phi 10.5 \times T1.5$	14	80	SIDE RAIL FASTENER	10
39	FLAT WASHER $\phi 17 \times \phi 8.5 \times T1.5$	9	81	CABLE GROMMET	1
40	SPRING WASHER	4	82	MAGNETIC RING	1
41	BASE WHEEL SPACER	4	83	CABLE CLIP	1
42	FRONT ROLLER	1	84	WAVE PIPE	1
85	Silicon Pad	1	98	DATA CABLE	1
86	FOOT REST	2	99	CONTROLLER	1
87	RUBBER PAD	2	100	SPEAKER	2
88	ROPE	1	101	LEFT HANDRAIL BUTTON	1
89	POWER SWITCH	1	102	RIGHT HANDRAIL BUTTON	1
90	POWER CORD JACK	1	103	POWER CORD	1
91	CIRCUIT BREAKER	1	104	MOTOR	1
92	RED AC CABLE L=280mm	1	105	INCLINE MOTOR	1
93	BLACK AC CABLE L=280mm	1	106	FAN	2
94	BROWN CABLE L=100mm	1	107	Console Sticker	1
95	AUDIO CABLE	1	108	KEY Pad Sticker	1
96	SENSOR SET	1	109	Console PCB	1
97	HANDRAIL PULSE SET	2	110	KEY Pad	1

ΕΓΓΥΗΣΗ ΗΛΕΚΤΡΙΚΟΥ ΔΙΑΔΡΟΜΟΥ

Η εγγύηση ισχύει:για (2) έτη από την ημερομηνία αγοράς του προϊόντος στο μοτέρ & τα ηλεκτρονικά μέρη(πλακέτα-κονσόλα).
για ένα (1) έτος στον ιμάντα τρεξίματος και το δάπεδο εφόσον συντηρηθεί σωστά με το ειδικό σπρέι σιλικόνης.

Η εγγύηση καλύπτει τυχόν κατασκευαστικό λάθος.

•Η τυχόν αντικατάσταση ανταλλακτικού είναι στην κρίση των τεχνικών.

•Η συναρμολόγηση, έλεγχος , ρύθμιση τάπητα επιβαρύνει χρηματικά τον καταναλωτή.

•Η επίσκεψη του τεχνικού πέραν των 14 ημερολογιακών ημερών από την ημερομηνία αγοράς επιβαρύνει χρηματικά τον καταναλωτή ,με την εκάστοτε χρέωση από την εταιρεία .

•Εκτός ορίων Σέρβις, θα αποστέλλονται στο κεντρικό Σέρβις.

1. Βλάβη μέσα σε 14 ημέρες από την ημερομηνία αγοράς θα παραλαμβάνονται μέσω μεταφορικής από τον χώρο του πελάτη.

Σε αυτή την περίπτωση τα έξοδα μεταφοράς βαρύνουν την εταιρεία. (Εφόσον είναι υπαιτιότητα της συσκευής).

2. Βλάβη μετά της 14 ημέρες από την ημερομηνία αγοράς θα μεταφέρονται από τον πελάτη στην μεταφορική εταιρεία .

Τα έξοδα μεταφοράς από την μεταφορική μέχρι το Σέρβις και το αντίστροφο βαρύνουν την εταιρεία. (Εφόσον είναι υπαιτιότητα της συσκευής).

•Η εγγύηση ισχύει μόνο για τον πρώτο αγοραστή του προϊόντος.

•Η εγγύηση ισχύει μόνο εάν το προϊόν λειτουργεί σε σπίτι (και όχι σε γυμναστήρια, συλλόγους, κοινόχρηστους χώρους κ.α.).

•Η επισκευή οποιασδήποτε βλάβης πραγματοποιείται το συντομότερο δυνατόν.

•Κάθε απαίτηση αποζημίωσης του πελάτη, είτε λόγω έλλειψης ανταλλακτικών είτε λόγω καθυστέρησης επισκευής, δεν είναι δυνατή.

Η ΕΓΓΥΗΣΗ ΔΕΝ ΕΧΕΙ ΙΣΧΥ

•Από υπέρταση η διακύμανση στο δίκτυο της ΔΕΗ*.

•Όταν η βλάβη προέλθει από κακή χρήση ή κακή συντήρηση(μη λίπανση του ιμάντα τρεξίματος) πτώσεις, νερό, φωτιά, κεραυνούς.

•Επίσης η εγγύηση δεν καλύπτει αναλώσιμα υλικά όπως καλώδια, αισθητήρες, πλαστικά μέρη, τάπητα, δάπεδο τα οποία καταστράφηκαν από κακή χρήση ή άλλης αιτίας.

•Η εγγύηση δεν καλύπτει βλάβη στο μοτέρ η οποία προήλθε από άτομα βάρους πέραν των προδιαγραφών του κατασκευαστή η άλλους εξωγενής παράγοντες.

•Η εγγύηση δεν καλύπτει βλάβη στο μοτέρ η τα ηλεκτρονικά η μηχανικά μέρη η οποία προήλθε από υπερβολική τάνυση(τέντωμα) του τάπητα η άλλους εξωγενής παράγοντες(φθορά στον τάπητα η το δάπεδο).

•Η εγγύηση δεν καλύπτει βλάβη από υπαιτιότητα μη εξουσιοδοτημένων ατόμων για την επισκευή η την συντήρηση του διαδρόμου.

•Η εγγύηση δεν καλύπτει βλάβη που προκλήθηκε από κακή συναρμολόγηση.

•Για να ισχύ η εγγύηση πρέπει να συνοδεύεται από την απόδειξη αγοράς.

Σε όλες τις παραπάνω περιπτώσεις ο χρήστης επιβαρύνεται με το κόστος επίσκεψης και ανταλλακτικών.

•Η εταιρία και ο εισαγωγέας δεν ευθύνονται για τυχών τυπογραφικά λάθη.

•Το προϊόν έχει έγκριση κυκλοφορίας στην Ευρωπαϊκή Κοινότητα, CE

*Σε περίπτωση που υπάρχει πρόβλημα στην περιοχή σας με το δίκτυο της ΔΕΗ επικοινωνήστε με το **Service** του διαδρόμου για την χρήση του ανάλογου εξοπλισμού.

INTERSPORT ATHLETICS SA

18-20 SOROU

15125

MAROUSI

GREECE

+302102806019

**ENERGETICS
PR 11.0**



ROMANIAN MANUAL

Pentru siguranța dumneavoastră și pentru utilizarea corectă a dispozitivului, trebuie să respectați măsurile elementare de precauție, inclusiv următoarele:

1. Vă rugăm să citiți cu atenție instrucțiunile înainte de a folosi banda de alegare.

Pericol – Pentru evitarea unui scurtcircuit electric:

1. Închideți întotdeauna întrerupătorul principal și scoateți ștecherul din priză după fiecare utilizare și de fiecare dată când efectuați operațiuni de întreținere.
2. Avertisment – Pentru a evita riscul de arsuri, incendiu, scurtcircuit sau traumatizare:
3. Nu lăsați niciodată aparatul în priză atunci când nu este utilizat. La terminarea antrenamentului, scoateți ștecherul din priză.
4. Supravegherea atentă este necesară atunci când banda de alergare este utilizată de către copii sau persoane cu dizabilități.
5. Folosiți banda de alergare numai în scopul predestinat și pentru care este proiectat de producător (pentru uz la domiciliu), cu o durată maximă de folosire de 50 minute & greutatea maximă a utilizatorului să nu depășească 150 kg.
6. Nu utilizați niciodată produsul în cazul în care are un cablu sau un ștecher deteriorat, dacă nu funcționează corect, dacă a fost distrus sau s-a vărsat pe acesta vreun lichid. Vă rugăm să contactați imediat centrul de servicii pentru consumatori din cadrul service-ului, pentru inspecție și reparații.
7. Nu transportați banda de alergare trăgând-o de cablul de alimentare cu curent electric și nu folosiți cablul ca mâner.
8. Țineți cablul la distanță de suprafețe încălzite sau de praf.
9. Nu utilizați niciodată produsul cu orificiile de ventilație blocate. Păstrați deschiderile de aer libere de scame, păr etc.
10. Nu introduceți obiecte în orificiile aparatului.
11. Nu folosiți și nu depozitați banda de alergare în spații exterioare.
12. Nu folosiți banda de alergare în spații în care ați pulverizat cu un aerosol (spray). Dispozitivul trebuie să fie utilizat într-o cameră cu aer curat.
13. Înainte de a opri alimentarea aparatului cu curent electric puneți comutatorul de funcții în poziția off și apoi scoateți ștecherul din priză.
14. Conectați produsul, singur, direct la o priză cu împământare corectă și nu la un triplu ștecher.
15. În cazul în care banda de alergare este în poziție înclinată și utilizatorul nu mai folosește banda de alergare, declivitatea trebuie să revină în poziția inițială (zero).
16. Atunci când utilizatorul folosește banda de alergare, aceasta nu poate fi pliată simultan.
17. Pentru siguranța dumneavoastră, mențineți spațiul din jurul benzii de alergare liber de obstacole, pe o rază de 2 metri x 1.
18. Acest aparat este destinat numai pentru uz la domiciliu.
19. Pentru banda de alergare cu funcție de pliere și mecanism electric de ridicare, înainte de a plia aparatul, asigurați-vă că nivelul mecanismului de ridicare este în poziția 0.
20. Dacă simțiți o stare de leșin, amețală sau o dificultate în respirație, opriți utilizarea benzii de alergare.
21. În timpul exercițiului, purtați îmbrăcăminte și încălțăminte adecvată. Nu purtați haine largi care pot fi prinse în banda de alergare. Purtați întotdeauna încălțăminte sportivă pentru alergat și, pentru evitarea traumatizărilor, este interzis să alergați desculți sau purtând sandale etc.

Vă rugăm să citiți cu atenție instrucțiunile din manual înainte de a utiliza banda de alergare. Păstrați acest manual pentru referințe viitoare.

INSTRUCȚIUNI DE ÎMPĂMÂNTARE

În primul rând, dispozitivul trebuie să fie legat la pământ. În cazul în care apar defecțiuni sau deteriorări, împământarea oferă o cale de rezistență minimă pentru curentul electric, în vederea reducerii riscului de electrocutare.

Banda de alergare este echipată cu un cablu cu conductor și fișă de împământare. Fișa de împământare trebuie să fie introdusă într-o priză corespunzătoare la 16 AMPERE (AMP) din siguranța panoului electric care este corect instalată și împământată, în conformitate cu toate codurile și dispozițiile locale.

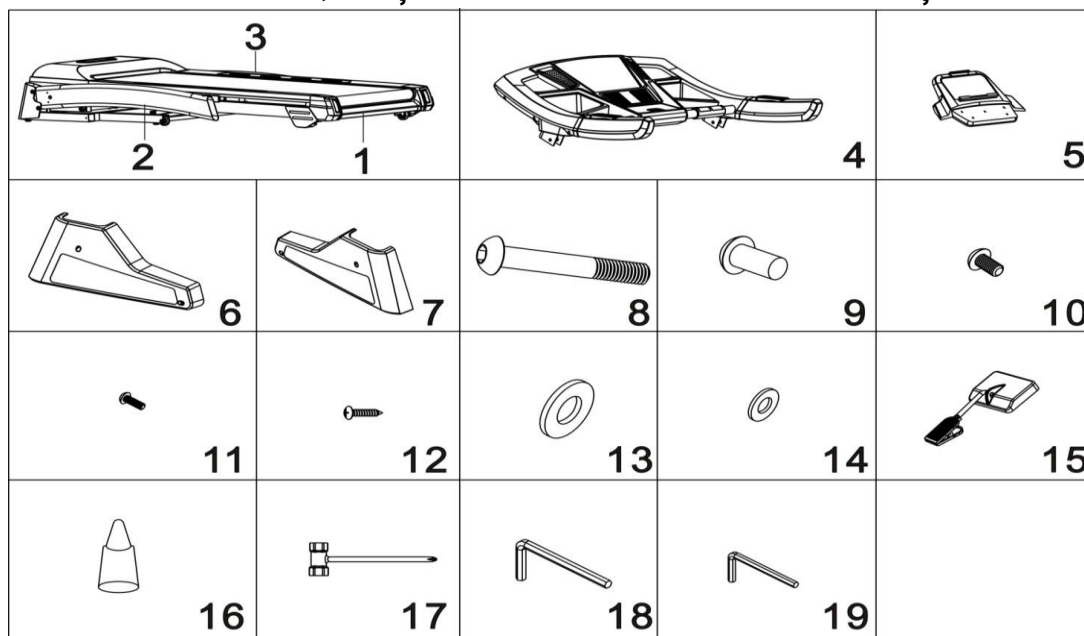
PERICOL – Conectarea necorespunzătoare a conductorului de împământare a echipamentului poate constitui un pericol de electrocutare. Dacă aveți îndoieli în privința faptului că aparatul este corect împământat, apălați la un electrician autorizat pentru verificare. Nu modificați ștecherul furnizat cu produsul - în cazul în care nu se potrivește în priza din domiciliul dvs., apălați la un electrician autorizat pentru a vă instala o priză corespunzătoare.

Dispozitivele care sunt utilizate cu o tensiune de 220-240 V și dispun de o fișă de împământare asemănătoare cu fișa ilustrată în figura de mai jos, nu necesită utilizarea unui adaptor pentru acest produs.



FIȘĂ CU ÎMPĂMÂNTARE

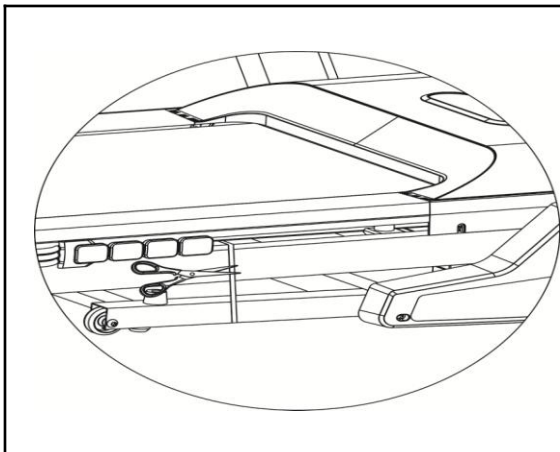
DESCHIZÂND AMBALAJUL, VEȚI GĂSI URMĂTOARELE PĂRȚI COMPONENTE



LISTA PĂRȚILOR COMPONENTE

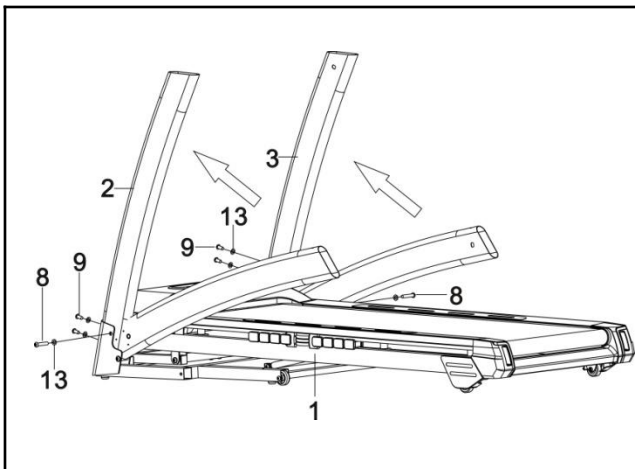
Nr.	Descriere	Cantitate	Nr.	Descriere	Cantitate
1	Main Frame	1	11	Screw M5*12	4
2	Left upright	1	12	Screw M4*15	4
3	Right upright	1	13	Flat washer M10	6
4	Console	1	14	Flat washer M8	4
5	IPAD rack	1	15	Safety key	1
6	Base cover-Right	1	16	Silicon oil	1
7	Base cover-Left	1	17	Screw Driver	1
8	Bolt M10*55	2	18	Allen wrench 6mm	1
9	Bolt M10*20	4	19	Allen wrench 5mm	1
10	Bolt M8*15	4			

PASUL 1



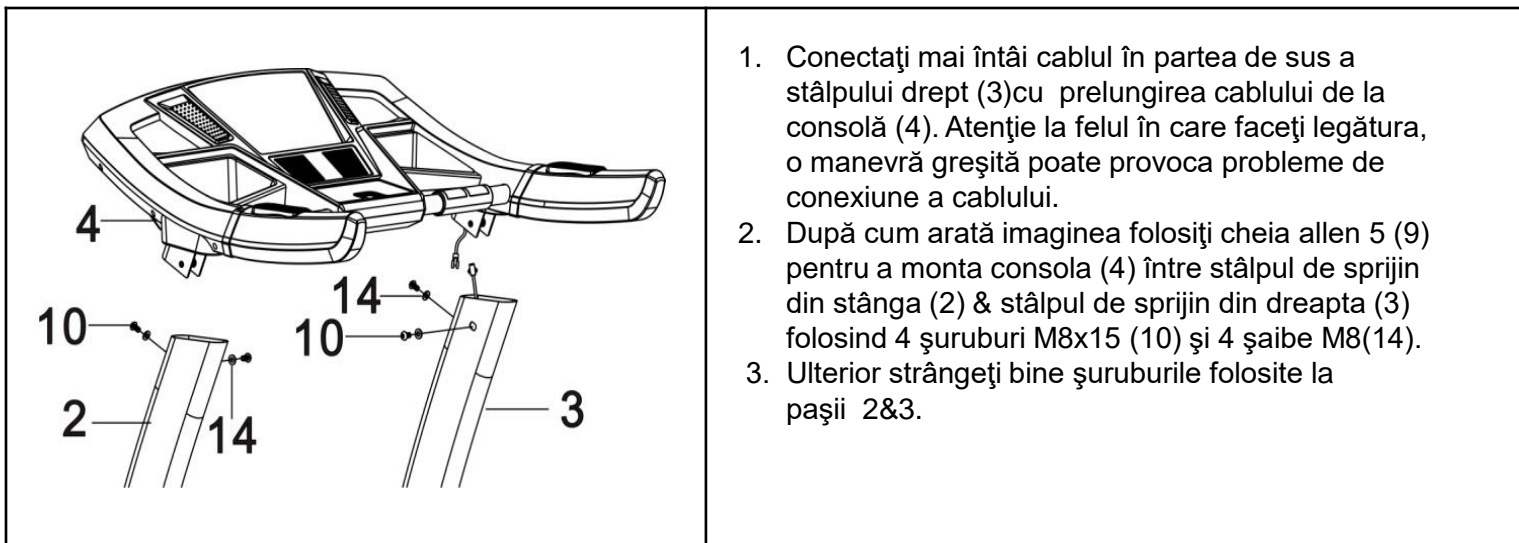
1. Vă rugăm să rețineți că pentru asamblarea benzii de alergare sunt necesare cel puțin 2 persoane.
 2. Deschideți cutia și scoateți toate materialele spumoase și alte accesorii.
 3. Așa cum este ilustrat în fotografia alăturată, scoateți cadrul principal din cutie, așezați-l pe o podea cu suprafața plană și, în continuare, tăiați cureaua de siguranță din material plastic.
- Sfat: Consola benzii de alergare este ambalată într-o cutie care este plasată sub cadrul principal al benzii de alergare. Vă rugăm să fiți atenți la scoaterea părții de jos a benzii de alergare din ambalaj.

PASUL 2

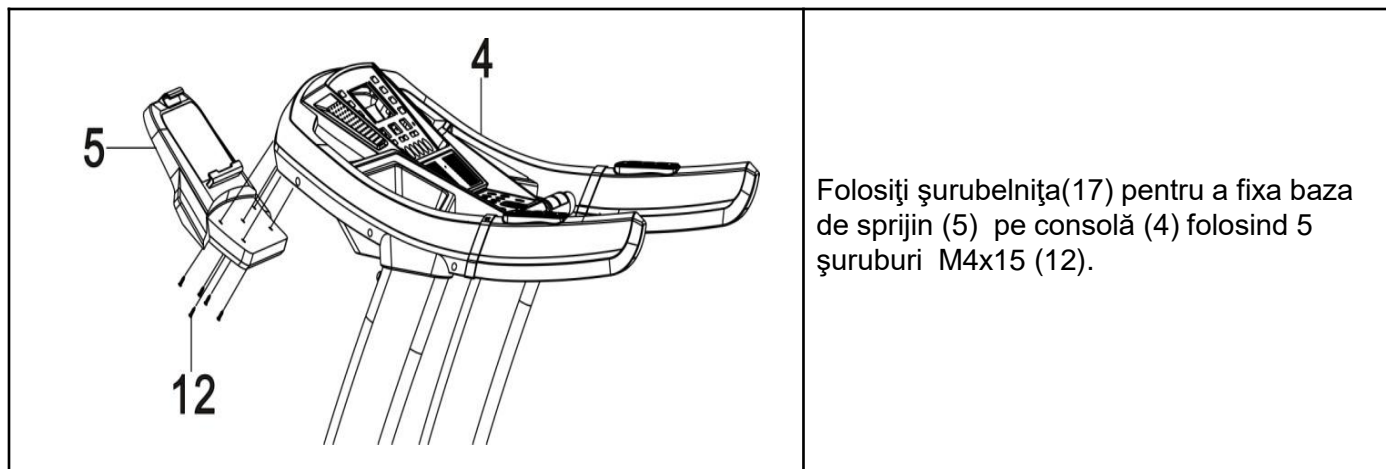


1. Ridicați stâlpul stâng de susținere (2) și stâlpul drept de susținere (3) și fixați-i de o parte și de alta a cadrului principal. (1). Folosiți cheia allen 6 (18) & fixați un șurub M10x55(8), 2 șuruburi M10x20 (9) & 3 șaibe M10 (13) pentru fiecare parte. Aveți grijă să nu zgâriați cablul atunci când fixați stâlpii de susținere.
2. Nu strângeți buloanele și șuruburile în cadrul acestui pas.

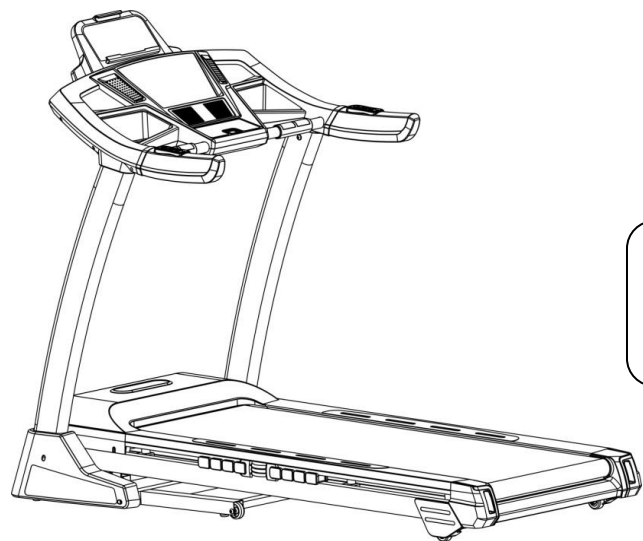
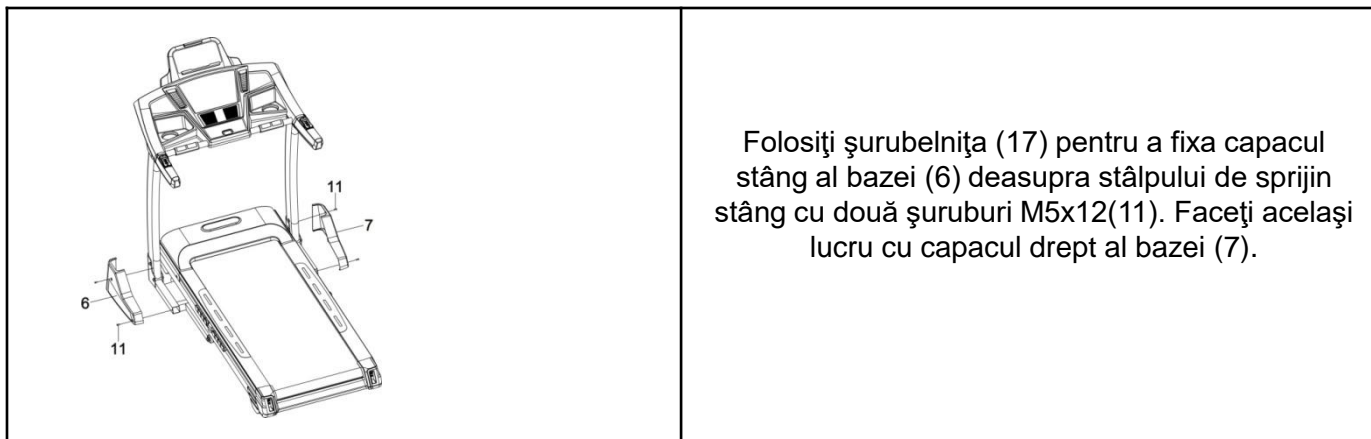
PASUL 3



PASUL 4



PASUL 5



NOTĂ: Pentru siguranța și confortul dumneavoastră, după ce ați finalizat asamblarea, verificați dacă ați strâns toate șuruburile în mod corespunzător!

SFATURI GENERALE PENTRU SIGURANȚA DUMNEAVOASTRĂ

- A. Înainte de începerea antrenamentului este responsabilitatea utilizatorului de a citi instrucțiunile din manual pentru a se asigura că știe bine cum funcționează banda de alergare.
- B. Introduceți cheia de siguranță în consola benzii de alergare (banda de alergare nu va funcționa fără cheia de siguranță). Adaptați clipsul de la celălalt capăt al cheii pe îmbrăcămintea dvs., pentru a vă asigura că banda de alergare se va opri dacă nu va fi folosită în mod corect.
- C. În cazul în care utilizatorul cade de pe bandă, cheia de siguranță va ieși din poziție și banda de alergare se va opri mediat, pentru evitarea vătămării în continuare.
- D. La pornirea benzii de alergare, nu stați pe covorul rulant. Călcați ferm pe ambele șine din material plastic, din stânga și din dreapta.
- E. Prin apăsarea butonului de pornire START, banda de alergare pornește numărătoarea inversă 3,2,1,0 și începe să funcționeze la o viteză redusă, de 1.0 km/oră. Dacă sunteți începător, până să vă obișnuiți, rămâneți la o viteză mică și țineți-vă ferm de mânăre.

INSTRUCȚIUNI DE UTILIZARE RAPIDĂ



FUNCȚIILE COMPUTERULUI

TIMP: Însurează timpul total de antrenament, de la 0:00 până la 99:00 minute

PULS: Trebuie să atingeți ambii senzori metalici pentru măsurarea ritmului cardiac, aflați pe mânerul din stânga și din dreapta, pentru a vă detecta pulsul. Pe ecran va apărea valoarea curentă a pulsului dvs. pe minut, cu valori de la 50 până la 200.

VITEZA: Pe ecran se afișează viteza actuală a benzii de alergat, începând de la 1.0 km/oră și până la 20.0 km/oră.

CALORII: Însurează consumul total de calorii în timpul antrenamentului dvs. Valoarea maximă este de 990 calorii.

Distanța: Însurează distanța totală pe care o parcurgeți, în kilometri, de la 0 până la 99.9 în măsurare ascendentă.

Însurează distanța totală pe care o parcurgeți, în kilometri, de la 0 până la 99.9 în măsurare inversă.

ÎNCLINARE: Pe ecran se afișează înclinarea benzii de alergat, cu începere de la 1 și până la 15%.

NOȚIUNI DE BAZĂ

NOTĂ:

1. Asigurați-vă că nimic nu blochează mișcarea benzii de alergat.
2. Conectați cablul de alimentare și apăsați pe butonul de pornire a benzii de alergare.
3. Stați călcând ferm pe ambele șine din material plastic, din dreapta și din stânga.
4. Atașați clipsul cheii de siguranță pe îmbrăcămintea dvs.
5. Introduceți cheia de siguranță în consolă și banda de alergare este gata de funcționare.
6. Ambele mâneruri sunt dotate cu butoane de reglare, la dreapta se află viteza + și viteza -, la stânga se află înclinarea + și înclinarea -, de unde se operează aceste funcțiuni, ca și de pe computerul benzii de alergare.
7. În timpul antrenamentului și în orice mod de funcționare ar fi setată, la apăsarea butonului STOP, banda de alergare se oprește imediat. Dacă doriți să vă continuați antrenamentul, apăsând pe butonul de pornire START, toate datele setate anterior rămân valabile și banda de alergare va începe să se miște după 5 secunde. Dacă doriți ca banda de alergare să se afle în modul de așteptare, apăsați din nou pe butonul STOP după oprirea benzii.
8. Aveți două opțiuni pentru a începe antrenamentul:
 - A. QUICK START
Apăsați doar pe butonul START pentru a începe antrenamentul.
 - B. SELECT A PROGRAM (Selectați un program). Apăsând pe butonul MODE (selectare) și apoi pe butonul PROGRAM, alegeți unul dintre cele 8 de programe presetate și apoi apăsați START.

FUNCȚIA DE PORNIRE RAPIDĂ

PASUL 1: Conectați cheia de siguranță la consolă și banda de alergare se va afla în modul de așteptare pentru a porni.

PASUL 2: Apăsați pe butonul START și după 5 secunde de numărătoare inversă, banda de alergare va porni. Utilizați butoanele SPEED +/- sau butoanele de reglare rapidă a vitezei pentru a seta viteza dorită de pe consolă, oricând doriți. Viteza poate fi, de asemenea, ajustată și prin butoanele de pe mânerul din dreapta. Folosiți butoanele INCLINE +/- sau butoanele de selectare rapidă a înclinării pentru a regla înclinația dorită de pe consolă, oricând doriți. Înclinarea poate fi, de asemenea, ajustată prin butoanele aflate pe mânerul din stânga.

PASUL 3: Pentru a vă măsura ritmul cardiac, țineți doar ferm senzorii de puls de pe mâneruri. Pot trece câteva secunde până la afișarea pe ecran a măsurării precise. Frecvența pulsului va apare în fereastra PULSE.

PASUL 4: Apăsați butonul STOP pentru a opri antrenamentul sau trageți cheia de siguranță din poziție pentru a întrerupe funcționarea benzii de alergare. Apăsând pe butonul STOP, programul va înceta să funcționeze. Dacă doriți să vă continuați antrenamentul, puteți apăsa pe butonul START și toate setările anterioare vor continua să funcționeze începând de la punctul în care le-ați oprit. Banda de alergare va începe să se miște după o numărătoare inversă de patru secunde.

PASUL 5: În cadrul funcției de pornire rapidă, timpul, calorile și distanța, vor urma o numărătoare ascendentă.

NOTĂ: SELECTAREA MANUALĂ A PROGRAMULUI

Ca parte a oricărui program, dacă ați selectat distanța, caloriele sau timpul, numărătoarea va fi întotdeauna inversă.

În timpul antrenamentului, atunci când programul este resetat, banda de alergare se oprește automat. Dacă doriți să continuați, apăsați butonul START și banda de alergare va porni după cinci secunde.

PASUL 1: Introduceți cheia de siguranță în consolă și banda de alergare este pregătită de funcționare.

PASUL 2: Apăsați pe butonul de selectare MODE și pe ecranul care afișează ora, va apare indicația 30:00. Apăsați apoi butoanele SPEED +/- pentru a seta timpul cu numărătoare inversă, de la 8:00 până la 99:00 minute.

Dacă nu doriți să setați afișarea timpului cu numărătoare inversă, puteți alege o altă aplicație. Nu apăsați butoanele SPEED +/- ci apăsați imediat butonul MODE și pe ecran, pe afișajul care măsoară caloriele/distanța, va apare indicația 1.0. Acum puteți ajusta calcularea distanței, cu numărătoare inversă, prin apăsarea butoanelor SPEED +/-, de la 1.0km până la 99.0km.

Dacă nu doriți să setați calcularea distanței, puteți alege o altă aplicație. Nu apăsați pe butoanele SPEED +/- ci apăsați din nou pe butonul MODE și pe ecran, pe afișarea care măsoară caloriele/distanța va apare indicația 20. Acum puteți ajusta calcularea calorielor, cu numărătoare inversă, prin apăsarea butoanelor SPEED +/-, de la 20kcal până la 990kcal.

PASUL 3: După terminarea setării manuale a programului, apăsați pe butonul START și banda de alergare va porni după 4 secunde.

PASUL 4: În timpul programului puteți regla viteza apăsând pe butonul SPEED +/- & înclinația, apăsând pe butonul INCLINE +/- . De asemenea, viteza & înclinația pot fi ajustate și prin butoanele de pe mâner.

PASUL 5: Pentru a opri antrenamentul, apăsați pe butonul STOP sau trageți cheia de siguranță din poziție și banda de alergare se va opri imediat. Apăsați pe butonul STOP și programul se va opri imediat. Dacă doriți să continuați, apăsați pe butonul START și banda de alergare va porni după 4 secunde, continuând programul din punctul în care a fost oprit. După oprirea benzii de alergare, dacă doriți ca aceasta să fie în modul de așteptare, apăsați pe butonul STOP.

NOTĂ: PROGRAME PRESETATE

Toate programele presetate sunt împărțite în optsprezece secțiuni principale și viteza este presetată pentru fiecare secțiune în parte. Durata de timp a fiecărui program din cele optsprezece secțiuni este setată automat în funcție de durata pe care ați selectat-o. Există 8 de programe presetate pentru 8 obiective diferite de antrenament și 8 nivele diferite de intensitate pentru fiecare obiectiv de antrenament.

PASUL 1: Introduceți cheia de siguranță în consolă și banda de alergare se va afla în modul de așteptare, pentru a porni.

PASUL 2: Apăsați butonul PROGRAM pentru a alege unul dintre cele opt programe de antrenament presetate și apoi selectați BODY FAT. De fiecare dată când apăsați butonul PROGRAM se selectează câte un program de antrenament. După ce ați ales nivelul de intensitate, apăsați pe butonul SPEED +/- pentru a regla intervalul de timp. Valoarea duratei de timp presetată pentru fiecare program este de 30:00 de minute și poate fi ajustată de la 8:00 până la 99:00 de minute.

PASUL 3: După ce ați setat intervalul de timp, apăsați pe butonul START pentru a începe antrenamentul.

PASUL 4: În timpul derulării unui program puteți regla viteza apăsând pe butonul SPEED +/- pe ecran sau pe butoanele de pe mânerul drept. Rata vitezei vizează secțiunea aflată în derulare în momentul în care alergați și când aceasta se termină, viteza revine la valorile presetate.

PASUL 5: Apăsați pe butonul STOP pentru a opri antrenamentul sau trageți cheia de siguranță din consolă și banda de alergare se va opri imediat.

MĂSURAREA RITMULUI CARDIAC

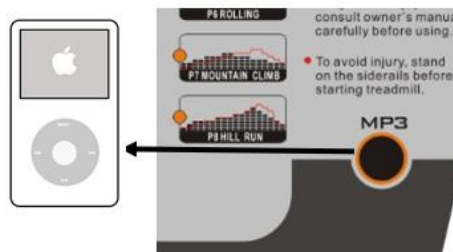
Pe consola benzii de alergare, în afișajul PULSE, apare indicația frecvenței cardiace în combinație cu cei doi senzori care sunt amplasați pe mâner. Atunci când doriți să verificați ritmul cardiac:

1. Așezați mâinile ferm pe cei doi senzori. Pentru a obține o măsurare precisă este obligatoriu să atingeți ferm ambii senzori.
2. Timpul estimat pentru verificarea ritmului cardiac pe afișajul PULSE este 5 secunde din momentul în care ați atins ferm senzorii.
3. Măsurarea nu este exactă și persoanele cu afecțiuni medicale, care au nevoie de o monitorizare exactă a frecvenței cardiace, nu trebuie să se bazeze pe estimările furnizate

UTILIZAREA FUNCȚIEI DE SUNET

Așa cum arata și schița conectați un capăt al cablului la mufa audio de la consolă și celălalt capăt la boxele consolei pentru a asculta muzică.

ATENȚIE: Intensitatea sunetului poate fi reglata doar de la boxe.



MUFA PENTRU MP3 PLAYER

Consola benzii de alergat a fost concepută să funcționeze și cu MP3. Poate fi folosită conform următoarelor opțiuni. Conectați banda de alergare la o sursă de energie, fixați cheia de siguranță astfel încât să se aprindă ecranul albastru al consolei și apoi introduceți în mufa USB a consolei stick-ul USB aferent.

Apăsând acest buton alegeți următorul cântec.



Apăsând acest buton alegeți cântecul anterior.



Apăsând acest buton puteți mări intensitatea sunetului la boxe.



Apăsând acest buton puteți mări intensitatea sunetului la boxe.



CONEXIUNEA CU DISPOZITIVUL SMART

PAS 1: Deschideți aplicația Bluetooth de pe smartphone & căutați dispozitivul. Apoi dați click (ok) pentru a vă conecta și acest lucru se va realiza când veți vedea pe ecran RUN MUSIC.

PAS 2: După conectare, sunetul de pe dispozitivul dvs. inteligent va fi redat de difuzoarele benzii de alergare.

Este compatibil cu aplicația **i Console +** cu trasee și hărți reale, videoclipuri interactive de antrenament și un fișier cu datele antrenamentului dumneavoastră.

Descărcați de pe smartphone sau tabletă aplicația I Console + de pe Google Play pentru Android și APP Store pentru IOS sau folosind următorul cod Scan QR.



iConsole Global



Este compatibil cu aplicația **Kinomap** (este necesară abonarea). Descărcați aplicația Kinomap de pe smartphone sau tabletă (Google Play pentru Android & APP Store pentru IOS).

Antrenează-te în întreaga lume cu videoclipuri și rute interactive, iar banda de alergare va ajusta automat înclinația în funcție de ruta pe care o alegi.

Explorează lumea, urmărește-ți performanțele, împărtășește-ți experiența cu întreaga comunitate Kinomap. Invitați și concurați cu alți utilizatori ai aplicației Kinomap sau chiar vă puteți antrena depășind oricare dintre performanțele dvs. anterioare!



INDICAȚIA DE MĂSURARE A GRĂSIMII CORPORALE

Prin această funcție se estimează grăsimea corporală, conform unor informații de bază privind corpul dvs.

Această estimare nu este exactă și persoanele cu afecțiuni medicale și/sau o nevoie specifică în privința valorii grăsimii corporale, nu trebuie să se bazeze pe estimările furnizate.

PASUL 1: Apăsați pe butonul PROGRAM în mod repetat. La a noua apăsare, pe ecran, la afișajul TIME, va apare indicația FAT. Apăsați pe butonul MODE pentru a seta parametrii relevanți: sexul, vârsta, înălțimea și greutatea.

PASUL 2: După introducerea funcției de grăsime corporală, pe afișajul SPEED, va apare numărul F1, pe afișajul PULSE va apare numărul 1, care reprezintă sexul, apăsați pe butonul SPEED +/- pentru a seta sexul 1-2. Numărul 1 reprezintă sexul masculin și numărul 2 sexul feminin. Apăsați apoi pe butonul MODE pentru a trece la pasul următor.

PASUL 3: După apăsarea butonului MODE, pe afișajul SPEED, va apare numărul F2, pe afișajul PULSE va apare numărul 25, care reprezintă vârsta, apăsați pe butonul SPEED +/- pentru a seta vârsta 1-99. Apăsați apoi pe butonul MODE pentru a trece la pasul următor.

PASUL 4: După apăsarea butonului MODE, pe afișajul SPEED, va apare numărul F 3, pe afișajul PULSE va apare numărul 170, care reprezintă înălțimea, apăsați pe butonul SPEED +/- pentru a seta înălțimea, între 100cm-199cm. Apăsați apoi pe butonul MODE pentru a trece la pasul următor.

PASUL 5: După apăsarea butonului MODE, pe afișajul SPEED, va apare numărul F4, pe afișajul PULSE va apare numărul 70, care reprezintă greutatea, apăsați pe butonul SPEED +/- pentru a seta greutatea, între 20kg-150kg. Apăsați apoi pe butonul MODE pentru a trece la pasul următor.

PASUL 6: După ce ați terminat configurarea prin introducerea tuturor datelor privind starea corpului dvs., apăsați pe butonul MODE și pe afișajul SPEED va apare numărul "F5", pe afișajul PULSE, numărul "000", care desemnează începutul procesării datelor. Țineți apoi ferm senzorii de ritm cardiac cu ambele mâini pe mânere și după 8 secunde va apare indicația grăsimii corporale în afișajul PULSE.

TABEL PRIVIND GREUTATEA CORPORALĂ

Rezultatul dat pentru grăsimea corporală în tabelul de mai jos este o referire la starea organismului. Verificați starea corpului dvs. conform tabelului din stânga, în funcție de rezultatul primit pe banda de alergare.

Starea corpului	Rezultat
Obezitate	BMI > 30
Supraponderal	26 < BMI < 30
În formă	19 < BMI < 25
Subponderal	BMI < 19

TABEL PRIVIND PROGRAMELE PRESETATE P1. WEIGHT LOST

SPEED CHANGES		1	2	3	4	5	6	7	8	9	10	11	12	13	14	15	16	17	18
Level 1	SPEED(KM/H)	1	2	2	3	3	3	4	5	6	6	7	6	5	4	4	3	2	2
Level 2	SPEED(KM/H)	1	2	2	3	4	4	5	6	8	8	10	8	8	5	5	3	2	2
Level 3	SPEED(KM/H)	1	2	3	4	5	5	6	8	9	10	12	10	8	7	6	4	3	2
Level 4	SPEED(KM/H)	1	2	3	4	6	7	8	10	11	12	13	11	10	8	7	5	4	2
Level 5	SPEED(KM/H)	2	3	4	5	7	7	8	10	12	14	14	13	12	10	9	6	4	2
Level 6	SPEED(KM/H)	2	3	4	5	7	9	10	12	13	14	14	13	12	10	9	6	5	3
Level 7	SPEED(KM/H)	2	3	5	6	8	9	10	12	13	14	15	13	12	10	9	6	6	3
Level 8	SPEED(KM/H)	2	3	5	6	8	10	12	14	14	15	15	14	13	11	9	7	6	3

P2. CARDIO TRAIN

SPEED & INCLINE CHANGES		1	2	3	4	5	6	7	8	9	10	11	12	13	14	15	16	17	18
Level 1	ELEVATION	1	1	2	3	4	5	6	7	7	8	8	7	7	5	4	2	1	1
	SPEED(KM/H)	1	1	2	2	3	4	5	6	6	7	7	6	6	4	3	2	1	1
Level 2	ELEVATION	1	2	3	4	5	6	7	8	8	9	9	8	8	6	5	3	2	1
	SPEED(KM/H)	1	2	2	3	4	5	6	7	7	8	8	7	7	5	4	2	2	1
Level 3	ELEVATION	1	2	4	5	6	7	8	9	9	10	10	9	9	7	6	4	2	1
	SPEED(KM/H)	1	2	3	4	5	6	7	8	8	9	9	8	8	6	5	3	2	1
Level 4	ELEVATION	2	3	5	6	7	8	9	10	10	11	11	10	10	8	7	5	3	2
	SPEED(KM/H)	2	2	4	5	6	7	8	9	9	10	10	9	9	7	6	4	2	2
Level 5	ELEVATION	2	4	6	7	8	9	10	11	11	12	12	11	11	9	8	6	4	2
	SPEED(KM/H)	2	3	5	6	7	8	9	10	10	11	11	10	10	8	7	5	3	2
Level 6	ELEVATION	3	5	7	8	9	10	11	12	12	13	13	12	12	10	9	7	5	3
	SPEED(KM/H)	2	4	6	7	8	9	10	11	11	12	12	11	11	9	8	6	4	2
Level 7	ELEVATION	4	6	8	9	10	11	12	13	13	14	14	13	13	11	10	8	6	4
	SPEED(KM/H)	3	5	7	8	9	10	11	12	12	13	13	12	12	10	9	7	5	3
Level 8	ELEVATION	5	7	9	10	11	12	13	14	14	15	15	14	14	12	11	9	7	5
	SPEED(KM/H)	4	6	8	9	10	11	12	13	13	14	14	13	13	11	10	8	6	4

P3. FAT BURN

SPEED CHANGES		1	2	3	4	5	6	7	8	9	10	11	12	13	14	15	16	17	18
Level 1	SPEED(KM/H)	1	1	2	2	3	3	4	4	4	4	4	4	3	2	2	2	1	1
Level 2	SPEED(KM/H)	1	2	2	2	3	3	4	4	5	4	4	4	3	3	2	2	1	1
Level 3	SPEED(KM/H)	1	2	2	3	3	4	4	5	5	5	4	4	4	3	3	2	1	1
Level 4	SPEED(KM/H)	1	2	3	3	3	4	4	5	6	6	5	4	4	4	3	2	2	1
Level 5	SPEED(KM/H)	1	2	3	4	4	5	5	5	6	6	6	5	4	4	4	3	2	1
Level 6	SPEED(KM/H)	1	2	3	4	5	5	6	6	6	6	6	5	5	4	4	3	2	1
Level 7	SPEED(KM/H)	1	2	3	4	5	6	6	7	7	6	6	6	5	5	4	3	2	1
Level 8	SPEED(KM/H)	1	2	3	4	5	6	7	7	7	7	6	6	6	5	5	4	2	1

P4. POWER WALK

SPEED & INCLINE CHANGES		1	2	3	4	5	6	7	8	9	10	11	12	13	14	15	16	17	18
Level 1	ELEVATION	1	1	2	2	3	3	4	5	5	5	5	4	4	3	2	2	1	1
	SPEED(KM/H)	1	2	3	3	5	6	7	8	8	8	8	7	7	5	4	3	2	1
Level 2	ELEVATION	1	1	2	2	3	4	5	6	6	6	6	5	5	4	3	2	1	1
	SPEED(KM/H)	1	2	3	4	6	7	8	9	9	9	9	8	8	6	5	3	2	1
Level 3	ELEVATION	1	1	2	3	4	5	6	7	7	7	7	6	6	4	3	2	1	1
	SPEED(KM/H)	1	2	4	5	7	8	9	10	10	10	10	9	9	7	6	4	2	1
Level 4	ELEVATION	1	2	3	4	5	6	7	8	8	8	8	7	7	5	4	3	2	1
	SPEED(KM/H)	2	3	5	6	8	9	10	11	11	11	11	10	10	8	7	5	3	2
Level 5	ELEVATION	1	2	3	4	6	7	8	9	9	9	9	8	8	6	5	3	2	1
	SPEED(KM/H)	2	4	6	7	9	10	11	12	12	12	12	11	11	9	8	6	4	2
Level 6	ELEVATION	2	3	4	5	7	8	9	10	10	10	10	9	9	7	6	4	3	2
	SPEED(KM/H)	3	5	7	8	10	11	12	13	13	13	13	12	12	10	9	7	5	3
Level 7	ELEVATION	2	3	5	6	8	9	10	11	11	11	11	10	10	8	7	5	3	2
	SPEED(KM/H)	4	6	8	9	11	12	13	14	14	14	14	13	13	11	10	8	6	4
Level 8	ELEVATION	2	4	6	7	9	10	11	12	12	12	12	11	11	9	8	6	4	2
	SPEED(KM/H)	4	7	9	10	12	13	14	15	15	15	15	14	14	12	11	9	7	4

P5. INTERVAL

SPEED CHANGES		1	2	3	4	5	6	7	8	9	10	11	12	13	14	15	16	17	18
Level 1	SPEED(KM/H)	1	2	4	2	4	2	4	2	4	2	4	2	4	2	4	2	4	2
Level 2	SPEED(KM/H)	1	2	5	2	5	2	5	2	5	2	5	2	5	2	5	2	5	2
Level 3	SPEED(KM/H)	1	2	6	2	6	2	6	2	6	2	6	2	6	2	6	2	6	2
Level 4	SPEED(KM/H)	1	3	6	3	6	3	6	3	6	3	6	3	6	3	6	3	6	3
Level 5	SPEED(KM/H)	1	3	7	3	7	3	7	3	7	3	7	3	7	3	7	3	7	3
Level 6	SPEED(KM/H)	2	4	7	4	7	4	7	4	7	4	7	4	7	4	7	4	7	4
Level 7	SPEED(KM/H)	2	4	8	4	8	4	8	4	8	4	8	4	8	4	8	4	8	4
Level 8	SPEED(KM/H)	2	5	8	5	8	5	8	5	8	5	8	5	8	5	8	5	8	5

P6. ROLLING

SPEED CHANGES		1	2	3	4	5	6	7	8	9	10	11	12	13	14	15	16	17	18
Level 1	SPEED(KM/H)	1	2	3	2	1	2	3	2	1	2	3	2	1	2	3	2	1	1
Level 2	SPEED(KM/H)	2	3	4	3	2	3	4	3	2	3	4	3	2	3	4	3	2	2
Level 3	SPEED(KM/H)	2	3	4	5	4	3	4	5	4	3	4	5	4	3	4	5	4	3
Level 4	SPEED(KM/H)	2	4	5	6	5	4	5	6	5	4	5	6	5	4	5	6	5	3
Level 5	SPEED(KM/H)	2	5	6	7	6	5	6	7	6	5	6	7	5	6	7	6	5	3
Level 6	SPEED(KM/H)	3	6	7	8	7	6	7	8	7	6	7	8	7	6	7	8	7	4
Level 7	SPEED(KM/H)	3	7	8	9	8	7	8	9	8	7	8	9	8	7	8	9	8	4
Level 8	SPEED(KM/H)	3	8	9	10	9	8	9	10	9	8	9	10	9	8	9	10	8	4

P7. MOUNTAIN CLIMB

SPEED & INCLINE CHANGES		1	2	3	4	5	6	7	8	9	10	11	12	13	14	15	16	17	18
Level 1	ELEVATION	0	1	1	2	2	3	3	4	4	5	6	7	8	7	6	4	2	0
	SPEED(KM/H)	1	1	2	2	3	3	3	4	4	4	3	3	3	2	2	2	1	1
Level 2	ELEVATION	0	1	2	2	3	3	4	4	5	6	7	8	9	8	6	4	2	0
	SPEED(KM/H)	1	1	2	2	3	3	3	4	4	4	3	3	3	2	2	2	1	1
Level 3	ELEVATION	1	1	2	3	3	4	4	5	6	7	8	9	10	9	8	6	4	2
	SPEED(KM/H)	1	1	2	2	3	3	3	4	4	4	3	3	3	2	2	2	1	1
Level 4	ELEVATION	1	2	2	3	3	4	5	6	7	8	9	10	11	10	8	7	5	3
	SPEED(KM/H)	2	2	3	3	4	4	4	5	5	4	4	4	3	3	3	2	2	2
Level 5	ELEVATION	1	2	3	4	5	6	7	8	9	9	10	11	12	11	10	8	6	4
	SPEED(KM/H)	2	2	3	3	4	4	4	5	5	4	4	4	3	3	3	2	2	2
Level 6	ELEVATION	2	2	3	4	5	6	7	8	9	10	11	12	13	12	10	8	6	4
	SPEED(KM/H)	2	2	3	3	4	4	4	5	5	4	4	4	3	3	3	2	2	2
Level 7	ELEVATION	2	3	4	5	6	7	8	9	10	11	12	13	14	13	10	8	6	4
	SPEED(KM/H)	2	2	4	4	5	5	5	6	6	6	5	5	4	4	4	2	2	2
Level 8	ELEVATION	3	4	5	6	7	8	9	10	11	12	13	14	15	13	10	8	6	4
	SPEED(KM/H)	2	2	4	4	5	5	5	6	6	6	5	5	4	4	4	2	2	2

P8. HILL RUN

SPEED & INCLINE CHANGES		1	2	3	4	5	6	7	8	9	10	11	12	13	14	15	16	17	18
Level 1	ELEVATION	0	0	1	1	2	2	2	3	3	3	4	4	5	5	4	3	2	1
	SPEED(KM/H)	2	2	2	3	3	3	5	5	7	7	9	9	10	8	8	6	4	2
Level 2	ELEVATION	0	0	1	1	2	2	2	3	3	3	4	4	5	6	5	3	2	1
	SPEED(KM/H)	2	2	2	4	4	4	6	6	6	8	8	10	10	8	8	6	4	2
Level 3	ELEVATION	0	0	1	1	2	2	3	3	3	4	4	5	5	6	5	3	2	1
	SPEED(KM/H)	2	2	4	4	4	6	6	6	8	8	10	10	12	10	8	6	4	2
Level 4	ELEVATION	0	1	1	2	2	3	3	4	4	4	5	5	6	7	6	5	3	2
	SPEED(KM/H)	2	2	4	4	6	6	8	8	8	10	10	10	12	12	10	7	5	3
Level 5	ELEVATION	1	1	2	2	3	3	4	4	5	5	6	6	7	8	7	6	3	2
	SPEED(KM/H)	2	4	6	6	6	6	8	8	8	10	10	12	13	12	10	7	5	3
Level 6	ELEVATION	1	2	3	4	4	4	5	5	6	6	7	8	8	8	7	6	3	2
	SPEED(KM/H)	2	4	6	6	6	6	8	8	10	10	12	13	13	12	10	7	5	3
Level 7	ELEVATION	1	2	3	4	5	6	6	7	7	8	8	9	10	10	9	6	3	2
	SPEED(KM/H)	2	4	6	6	8	8	10	10	12	13	13	14	13	12	10	7	5	3
Level 8	ELEVATION	1	2	3	4	6	6	7	7	8	8	9	9	10	12	9	6	3	2
	SPEED(KM/H)	2	4	6	8	10	10	12	12	13	13	14	14	13	12	10	7	5	3

PLIEREA BENZII DE ALERGARE

1. Pentru a plia banda de alergare, în primul rând opriți comutatorul.
2. Asigurați-vă că banda de alergare nu prezintă nicio înclinație.
3. Ridicați cadrul central pentru a se alinia și a veni în paralel cu restul scheletului benzii de alergare. Fixați podeaua benzii cu tubul special de sprijin, așa cum se vede în pictogramă.
4. Asigurați-vă că banda se află în poziția corectă cu tubul de sprijin.

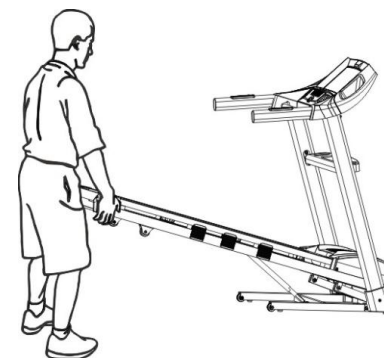
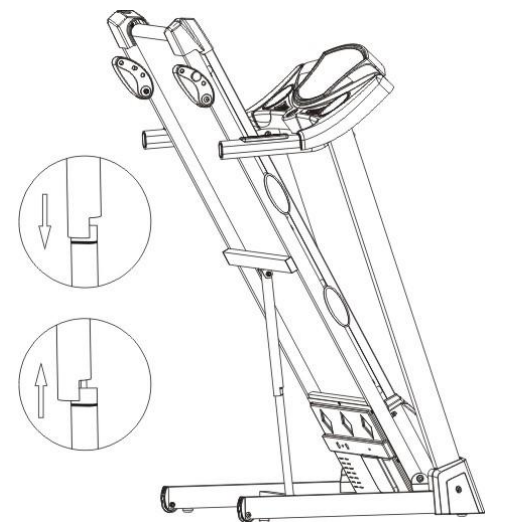
DEPLIEREA BENZII DE ALERGARE

1. Pentru deplierea benzii de alergare, asigurați-vă că aveți destul spațiu pentru a se deschide corect. Lăsați un spațiu de aproximativ un metru de jur-împrejurul benzii de alergare, fără obstacole, pentru buna funcționare și amplasare a acesteia în spațiul dvs.
2. Apoi, ținând ambele mâini pe scheletul de bază al benzii de alergare, atingeți cu piciorul amortizorul de sprijin pentru a se elibera și apăsați-l spre podea cu mișcări lente. Atunci, scheletul principal coboară automat și înainte de a ajunge la un metru distanță de la podea trebuie să vă îndepărtați la un metru de banda de alergare pentru ca aceasta să ajungă în poziția finală, după cum se arată în pictogramă.

CUM SĂ TRANSPORTAȚI BANDA DE ALERGARE

- 1: Opriți comutatorul.
- 2: Scoateți ștecherul din priză.
- 3: Pliati banda de alergare.

Apoi, după ce ați urmat cele trei etape de bază menționate, prindeți mânerurile și ridicați banda la aproximativ 30-40 de grade până la nivelul pieptului și acum o puteți transporta, așa cum arată și pictograma.



CUM SĂ LUBRIFIĂȚI BANDA DE ALERGARE

PASUL 1: Așezați covorul rulant astfel încât capătul acestuia să fie amplasat în partea de sus și în centrul podelei.

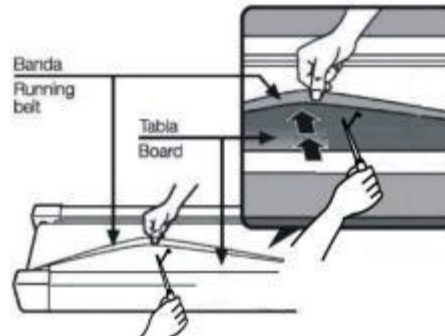
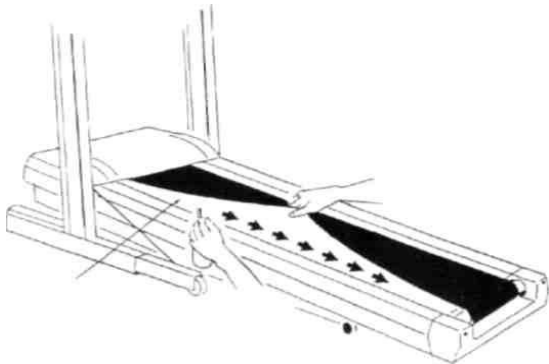
PASUL 2: În timp ce țineți ridicată marginea covorului rulant, așezați duza de pulverizare între covorul rulant și podea, la aproximativ 6 " (inch) de partea frontală a benzii de alergare. Aplicați sprayul de silicon pe podeaua benzii, deplasându-l din partea din față a benzii de alergare înspre partea din spate. Repetați procedura și pe cealaltă parte a covorului rulant. Pulverizați timp de aproximativ 4 secunde pe fiecare latură.

PASUL 3: Lăsați siliconul să se "așeze" timp de un minut înainte de a utiliza banda de alergare. Apoi porniți banda de alergare & alegeți viteza de 3 km & lăsați-o să funcționeze timp de 5 minute fără a urca pe ea. Veți putea folosi banda de alergare după o oră. Acest proces va trebui repetat ori de câte ori e necesară lubrifierea platformei benzii de alergare.

AVERTISMENT IMPORTANT: Nu lubrifiați în mod excesiv podeaua benzii de alergare. O cantitate excesivă de lubrifiant trebuie să fie eliminată, ștergând-o cu un prosop. De asemenea este important ca înainte de a asambla și a folosi banda de alergare să lubrifiați fâșia rulantă cu lubrifiantul pe bază de silicon pe care îl veți găsi în interiorul ambalajului. După 15 ore de folosire zilnică a benzii de alergare sau după două luni, în cazul în care nu este folosită zilnic, mai întâi curățați cu o bucată de pânză urmele de lubrifiant vechi & apoi folosiți un lubrifiant special pe bază de silicon, sub formă de spray pe care îl puteți cumpăra doar de la magazinele unde se comercializează aparate de sport și gimnastică.

Banda de alergare (fâșia rulantă) este făcută din material ce se uzează în timp & trebuie schimbată la fiecare 3 ani. Înlocuirea se va face doar de către un service de specialitate. De asemenea, când o bandă de alergare nu este folosită o perioadă îndelungată de timp, fâșia rulantă se usucă și se deteriorează datorită nefolosirii & iar e nevoie să fie înlocuită pentru a se evita posibilitatea facilitării unui scurt circuit la componentele electrice ale benzii de alergare.

ATENȚIE !!!! ÎN CAZUL ÎN CARE BANDA DE ALERGARE ESTE FOLOSITĂ INTENSIV, FÂȘIA RULANTĂ VA TREBUI ÎNLOCUITĂ LA UN INTERVAL MAI SCURT DE LA 18 PÂNĂ LA 24 DE LUNI.



AVERTISMENT PRIVIND SPRAYUL DE SILICON NU LĂSAȚI LA ÎNDEMÂNA COPIILOR!!!

În caz de ingerare sau de pulverizare direct pe față, cereți sfatul medicului.

Acest produs poate cauza daune sau pierderi dacă nu este utilizat conform instrucțiunilor de utilizare.

Acest produs este vândut în exclusivitate în scopul lubrifierii și cu condiția ca acesta să fie utilizat exclusiv pe răspunderea cumpărătorului, iar producătorii și distribuitorii nu își asumă nicio responsabilitate în legătură cu acest produs.

Curățare

Îndepărtați praful de pe banda de alergat cu aspiratorul sau cu o cârpă ușor umezită. Ridicați podeaua benzii de alergare și curățați periodic podeaua camerei cu un aspirator. Acest lucru va ajuta la prelungirea duratei de viață a benzii dvs. de alergare.

Nu utilizați niciodată solvenți pe podeaua benzii de alergare sau pe covorul rulant al acesteia. Utilizarea solvenților poate reduce lubrifierea podelei benzii de alergare și a covorului rulant al acesteia.

Centrarea benzii de alergare

În timp ce alergați sau mergeți, este posibil să exercitați o forță mai mare cu un picior față de celălalt. Prin aceasta, covorul rulant al benzii de alergare se poate îndepărta de centru. Prezenta bandă de alergare a fost proiectată și fabricată pentru a asigura libera circulație a covorului, care trebuie să fie centrat pe podeaua benzii de alergare. Ocazional, covorul rulant poate necesita o nouă ajustare pentru a rămâne centrat. Pentru a centra banda, utilizați cheia Allen inclusă pentru ajustarea poziției rolei de ghidaj din spate.

Procedura de centrare a covorului rulant

- 1.) Nu purtați haine largi, cravate sau bijuterii groase în timp ce efectuați această reglare.
- 2.) Nu rotiți niciodată buloanele mai mult de $\frac{1}{4}$ de tură de fiecare dată.
- 3.) Strângeți întotdeauna buloanele într-o parte și relaxați în cealaltă parte, pentru a preveni strângerea sau relaxarea excesivă a covorului rulant.
- 4.) Puneți banda de alergare în funcție. Reglați covorul rulant în timp ce banda de alergare funcționează (4 km/h) fără ca cineva să se afle pe covorul rulant

După reglare, folosiți banda de alergare în ritm de mers, timp de aproximativ 5 minute, pentru a o verifica. Dacă este necesar, repetați procedura, dar nu rotiți niciodată buloanele mai mult de $\frac{1}{4}$ de tură de fiecare dată. Dacă covorul rulant este prea strâns, durata de viață a acestuia poate fi redusă în mod semnificativ.

DACĂ BANDA ESTE DECALATĂ SPRE STÂNGA:

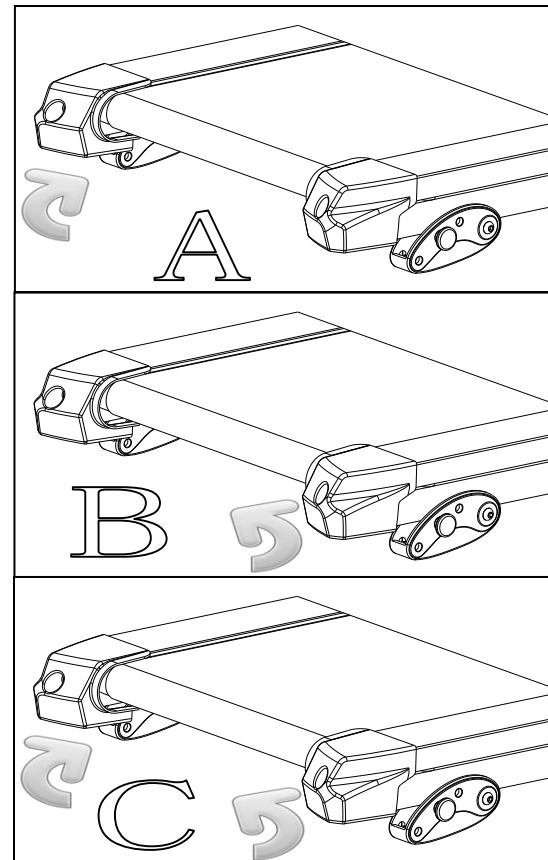
- Rotiți bulonul rolei de ghidaj din stânga cu $\frac{1}{4}$ de tură în sens orar (strângere - tensionare).
- Rotiți bulonul rolei de ghidaj din dreapta cu $\frac{1}{4}$ de tură în sens antiorar (relaxare).

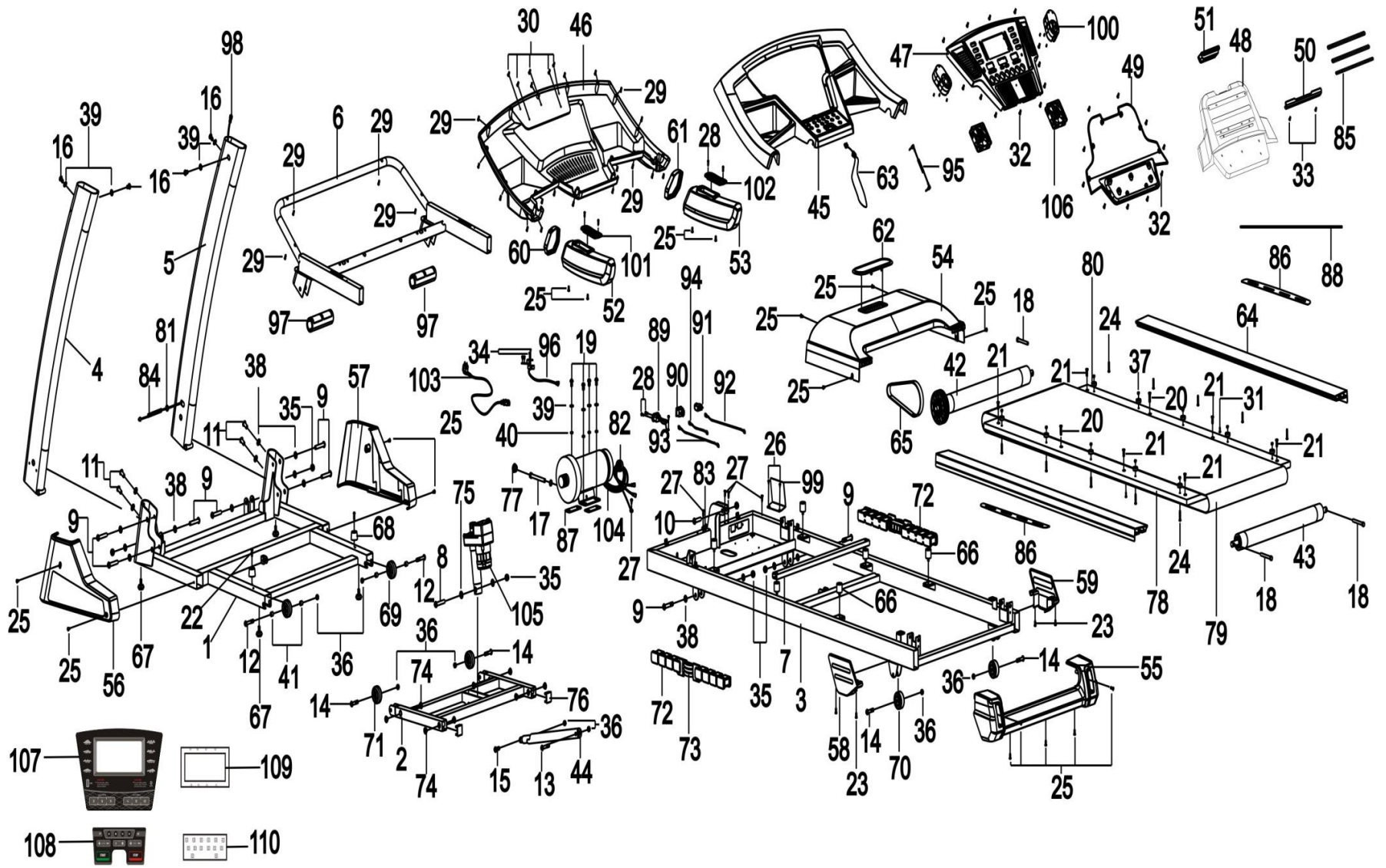
DACĂ BANDA ESTE DECALATĂ SPRE DREAPTA:

- Rotiți bulonul rolei de ghidaj din dreapta cu $\frac{1}{4}$ de tură în sens orar (strângere - tensionare).
- Rotiți bulonul rolei de ghidaj din stânga cu $\frac{1}{4}$ de tură în sens antiorar (relaxare).

REGLAREA TENSIUNII BENZII DE ALERGARE

Dacă, atunci când puneți piciorul pe banda de alergare simțiți că aceasta alunecă, atunci covorul rulant a devenit elastic și alunecă de pe rolele de ghidaj. Cu trecerea timpului, toate covoarele rulante devin elastice. Aceasta este o reglare normală și comună pentru fiecare bandă de alergare. Pentru a reduce alunecarea, învârtiți ambele buloane Allen ale rolei de ghidaj din spate cu $\frac{1}{4}$ de tură, așa cum se ilustrează în imagine. Încercați din nou banda de alergare pentru a verifica dacă mai alunecă. Repetați procedura dacă este necesar, dar niciodată nu învârtiți buloanele rolei de ghidaj cu mai mult de $\frac{1}{4}$ de tură de fiecare dată.





NO.	DESCRIPTION	Q'TY	NO.	DESCRIPTION	Q'TY
1	BASE	1	43	REAR ROLLER	
2	INCLINE RACK	1	44	AIR CYLINDER	
3	MAIN FRAME	1	45	CONSOLE PLASTIC HOUSING-UPPER	
4	LEFT UPRIGHT	1	46	CONSOLE PLASTIC HOUSING-BOTTOM	
5	RIGHT UPRIGHT	1	47	COMPUTER PLASTIC	
6	CONSOLE RACK	1	48	IPAD RACK-FRONT CASE	
7	CROSS BAR	1	49	IPAD RACK-BACK CASE	
8	BOLT M10*60	1	50	IPAD RACK	
9	BOLT M10*55	8	51	IPAD FIXED PLATE	
10	BOLT M10*40	1	52	HANDRAIL FOAM-L	
11	BOLT M10*25	4	53	HANDRAIL FOAM-R	
12	BOLT M8*50	2	54	MOTOR COVER	1
13	BOLT M8*45	1	55	REAR END CAP	1
14	BOLT M8*40	4	56	BASE COVER-L	1
15	BOLT M8*28	1	57	BASE COVER-R	1
16	BOLT M8*15	4	58	FRAME WHEEL COVER-L	1
17	BOLT M8*90	1	59	FRAME WHEEL COVER-R	1
18	BOLT M8*65	3	60	HANDRAIL PVC RING-L	1
19	BOLT M8*15	4	61	HANDRAIL PVC RING-R	1
20	BOLT M6*45	2	62	MOTOR COVER LOGO PLATE	1
21	BOLT M6*25	6	63	SAFETY KEY	1
22	BOLT M6*20	2	64	SIDE RAIL	2
23	BOLT M6*10	4	65	MOTOR BELT	1
24	BOLT M5*28	10	66	BASE CUSHION	6
25	BOLT M5*12	17	67	BASE FOOT PAD	4
26	SCREWS M4*15	2	68	BASE CUSHION	2
27	SCREWS M4*12	5	69	MOVING WHEEL	2
28	SCREWS M4*15	2	70	FRAME WHEEL	2
29	SCREWS M4*12	23	71	INCLINE MOVING WHEEL	2
30	SCREWS M4*15	5	72	AIR CUSHION	4
31	SCREWS M4*25	2	73	SPRING CUSHION	2
32	SCREWS M4*10	21	74	PLASTIC BUSHION(FOR INCLINE)	8
33	SCREWS M3*10	2	75	PLASTIC BUSHION FOR INCLINE MOTOR	2
34	SCREWS M3*6	13	76	BASE END CAP	2
35	NUT M10	6	77	END CAP FOR MOTOR	1
36	NUT M8	8	78	RUNNING DECK	1
37	NUT M5	10	79	RUNNING BELT	1
38	FLAT WASHER $\phi 20 \times \phi 10.5 \times T1.5$	14	80	SIDE RAIL FASTENER	10
39	FLAT WASHER $\phi 17 \times \phi 8.5 \times T1.5$	9	81	CABLE GROMMET	1
40	SPRING WASHER	4	82	MAGNETIC RING	1
41	BASE WHEEL SPACER	4	83	CABLE CLIP	1
42	FRONT ROLLER	1	84	WAVE PIPE	1
85	Silicon Pad	1	98	DATA CABLE	1
86	FOOT REST	2	99	CONTROLLER	1
87	RUBBER PAD	2	100	SPEAKER	2
88	ROPE	1	101	LEFT HANDRAIL BUTTON	1
89	POWER SWITCH	1	102	RIGHT HANDRAIL BUTTON	1
90	POWER CORD JACK	1	103	POWER CORD	1
91	CIRCUIT BREAKER	1	104	MOTOR	1
92	RED AC CABLE L=280mm	1	105	INCLINE MOTOR	1
93	BLACK AC CABLE L=280mm	1	106	FAN	2
94	BROWN CABLE L=100mm	1	107	Console Sticker	1
95	AUDIO CABLE	1	108	KEY Pad Sticker	1
96	SENSOR SET	1	109	Console PCB	1
97	HANDRAIL PULSE SET	2	110	KEY Pad	1

GARANȚIE PENTRU BENZILE ELECTRICE DE ALERGARE

Garanția este valabilă pentru o perioadă de doi (2) ani de la data cumpărării produsului.

Garanția se aplică: timp de (2) ani de la data achiziționării produsului la componentele motoare și electronice (consolă de bord).
timp de un (1) an pe cureaua de rulare și pe podea dacă este întreținută corespunzător cu sprayul de silicon.

- Garanția acoperă orice defect de fabricație.
- Orice înlocuire de piese de schimb este la latitudinea tehnicienilor.
- Cheltuielile de asamblare, control, reglare a covorului rulant, sunt suportate de consumator.
- Cheltuielile legate de vizita unui tehnician, la un interval mai mare de 14 zile calendaristice de la data cumpărării, sunt suportate de consumator, în conformitate cu taxa stabilită de companie la data respectivă.
- În afara limitei de Service, se vor trimite la Service-ul central:
 1. O defecțiune apărută în termen de 14 zile de la data cumpărării, incluzând costurile de transport de la domiciliul clientului. În acest caz, costurile de transport sunt suportate de societate. (În cazul în care se datorează unei defecțiuni a dispozitivului).
 2. O defecțiune apărută după termenul de 14 zile de la data cumpărării. Dispozitivul va fi transportat de client la transportator. Costurile de transport de la transportator la Service și viceversa vor fi suportate de societate (În cazul în care se datorează unei defecțiuni a dispozitivului).
- Garanția este valabilă numai pentru primul cumpărător al produsului.
- Garanția este valabilă numai dacă produsul este utilizat la domiciliu (și nu în săli de sport, cluburi, spații publice ș.a.).
- Repararea oricărei defecțiuni va fi executată cât mai curând posibil.
- Orice cerință de despăgubire a clientului, datorată lipsei de piese de schimb sau întârzierii reparației, nu este posibilă.

Garanția nu este valabilă

- Atunci când defecțiunea provine din utilizarea sau întreținerea necorespunzătoare.
- De asemenea, garanția nu acoperă materiale consumabile, cum ar fi piese din plastic, pedale, transformatoare, curele distruse în urma unei utilizări necorespunzătoare sau din orice altă cauză.
- Garanția nu acoperă daune provocate de persoane neautorizate pentru a efectua reparații.
- Garanția nu acoperă daune cauzate de asamblarea necorespunzătoare.
- Garanția este valabilă numai dacă este însoțită de dovada achiziționării.

În toate aceste cazuri, utilizatorul va suporta costul reparațiilor și pieselor de schimb.

- Compania și importatorul nu sunt responsabili pentru orice greșeli tipografice.
- Produsul dispune de o autorizație de introducere pe piața Comunității EuropeneCE.

Date de contact

Contact normal deschis	INTERSPORT România
Țara	România
Denumirea companiei	SC GENCO TRADE SRL
Adresa 1	Strada Biharia, numărul 67-77, Sector 1
Adresa 2	-
Codul Poștal	013981
Orașul	București
Județul	-
Țara	România
Telefon	+40 21 201 11 80
Fax	+40 21 201 11 87
Internet	www.intersport.ro
E-mail	office@genco.ro
Mențiuni	-

**ENERGETICS
PR 11.0**



BULGARIAN MANUAL

За вашата безопасност и правилната употреба на уреда, трябва да се спазват следните основни указания, които включват: Моля, прочетете внимателно упътването преди да пристъпите към употреба на уреда.

Опасност – За да избегнете случаи на токов удар:

1. Винаги изключвайте уреда от централния бутон и хранващия кабел от контакта след всяка употреба на уреда и всеки път, когато извършвате профилактика.

Предупреждение – За да избегнете риска от изгаряния, пожар, късо съединение или наранявания:

1. Никога не оставяйте уреда включен в електрическата мрежа, когато не го използвате, отстранете щепсела от конзолата след като приключите тренировката.

2. Употребата от деца или лица с увреждания трябва винаги да бъде извършвана под надзора на възрастно лице.

3. Използвайте бягащата пътека само за целите, за които е проектирана и предназначена от производителя (домашна употреба).

Максималната продължителност на времето на непрекъсната работа е 50 минути, за максимално тегло на потребителя до 150 кг.

4. Никога не използвайте уреда, ако има повреден хранващ кабел или щепсел, ако е неизправен, ако е повреден или е покрит с течност. Обадете се незабавно в центъра за връзка със сервиза за проверка и поправка.

5. Никога не придвижвайте уреда, дърпайки хранващия кабел или използвайки го като дръжка.

6. Пазете хранващия кабел далеч от затоплящи повърхности или прах.

7. Никога не използвайте уреда със затворени въздушни клапани. Пазете въздушните отвори чисти от събиране на пепел, косми и др.

8. Не поставяйте в отворите предмети.

9. Не използвайте или складирайте уреда на открити места.

10. Не използвайте пътеката на места, където преди това са били използвани аерозолни продукти (спрей). Уредът трябва да се използва на проветриво място.

11. Преди да изключите уреда от електрическата мрежа, уверете се че всички бутони са в положение off и след това отстранете хранващия кабел от контакта.

12. Свързвайте хранващия ел. кабел на уреда към самостоятелна и добре обезопасена конзола.

13. Когато пътеката е в сгънато положение и потребителя е приключил нейното ползване, наклонът трябва да е в първоначално положение (нула).

14. Пътеката не може да е в сгънато положение и да се използва едновременно.

15. За вашата безопасност не поставяйте предмети около уреда в периметър 2x1 метра.

16. Този уред е предназначен само за употреба в домашни условия.

17. Преди употребата на пътеки с функция сгъване и електрическо повдигане, уверете се че височината е регулирана в положение 0 преди сгъване.

18. Преустановете ползването на уреда, ако почувствате отпадналост, световъртеж или затруднение при дишане.

19. Използвайте подходящи дрехи и обувки при тренировка. Не носете широки дрехи, които могат да се омотаят в уреда. Използвайте винаги спортни обувки, за да се избегнат наранявания и не тренирайте боси или използвайки сандали и др.

Моля прочетете внимателно упътването преди да пристъпите към употреба на бягащата пътека. Запазете го за бъдещи справки

УКАЗАНИЯ ЗА ЗАЗЕМЯВАНЕ

Уредът трябва първо да е заземен. При появата на неизправности при работа или повреди, заземяването осигурява електрически ток по пътя на най-малкото съпротивление и намалява риска от токов удар.

Бягащата пътека е оборудвана със заземени проводник и щепсел със изход за заземяване.

Щепселът трябва да бъде включен в подходяща конзола, на 16 AMPERE (AMP), която е правилно монтирана и заземена в съответствие с местните закони и разпоредби.

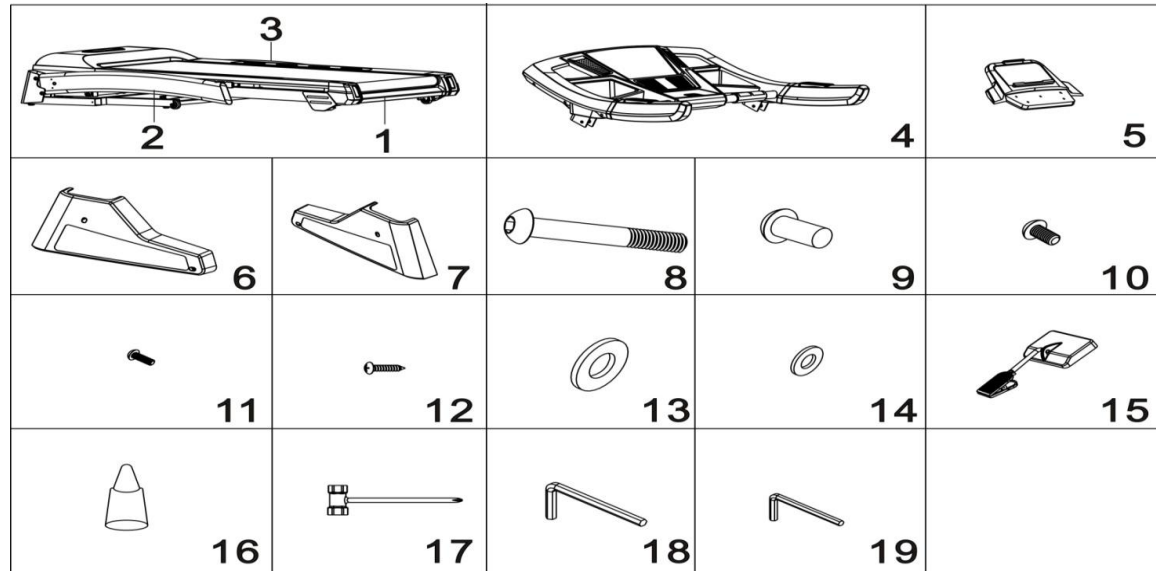
ОПАСНОСТ – Неправилното свързване на проводника за заземяване на оборудването може да доведе до опасност от токов удар. Консултирайте се с квалифициран електротехник, ако се съмнявате че уредът е правилно заземен. Не модифицирайте щепсела на продукта – ако не отговаря на конзолите, монтирани в дома, заменете конзолите с помощта на квалифициран електротехник.

Уреди, предназначени за работа при 220-240 W и са снабдени с конектор със заземяване, който прилича на изображения на снимката по-долу и има същия изход за заземяване, не се нуждаят от адаптер.



ИЗХОД ЗА ЗАЗЕМЯВАНЕ

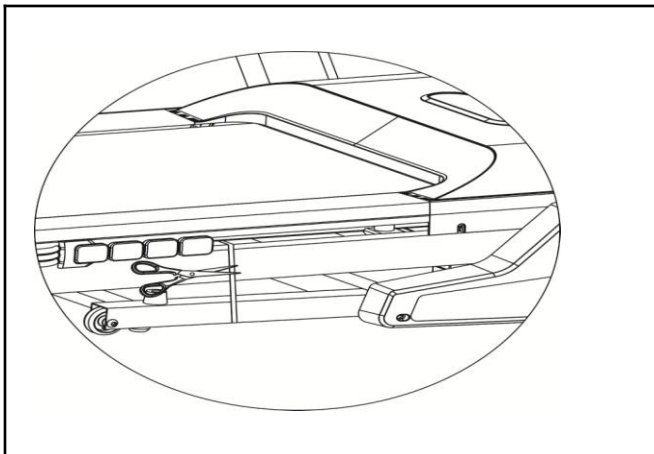
РАЗОПАКОВАЙКИ ПРОДУКТА ЩЕ НАМЕРИТЕ СЛЕДНИТЕ КОМПОНЕНТИ



СПИСЪК НА КОМПОНЕНТИТЕ

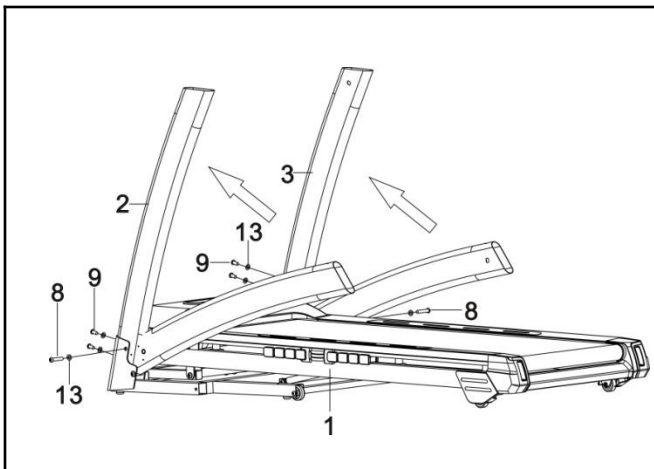
№	Описание	Брой	№	Описание	Брой
1	Main Frame	1	11	Screw M5*12	4
2	Left upright	1	12	Screw M4*15	4
3	Right upright	1	13	Flat washer M10	6
4	Console	1	14	Flat washer M8	4
5	IPAD rack	1	15	Safety key	1
6	Base cover-Right	1	16	Silicon oil	1
7	Base cover-Left	1	17	Screw Driver	1
8	Bolt M10*55	2	18	Allen wrench 6mm	1
9	Bolt M10*20	4	19	Allen wrench 5mm	1
10	Bolt M8*15	4			

СТЪПКА 1



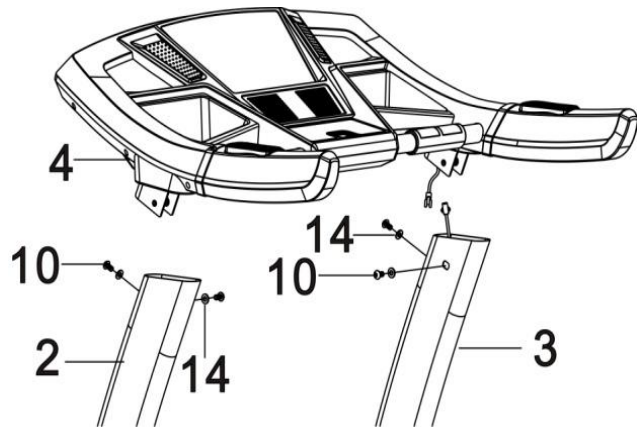
1. Моля да обърнете внимание, че за сглобяването на уреда са необходими поне двама човека.
 2. Отворете опаковката и отстранете всички уплътнения.
 3. Както е показано на снимката, извадете основата от кутията, поставете я върху равна повърхност и след това отрежете пластмасовата обезопасяваща лента.
- Съвет: Конзолата на уреда е опакована в кутия и е поставена под основата на уреда. Бъдете внимателни, когато изваждате долната част на пътеката от опаковката ѝ.

СТЪПКА 2



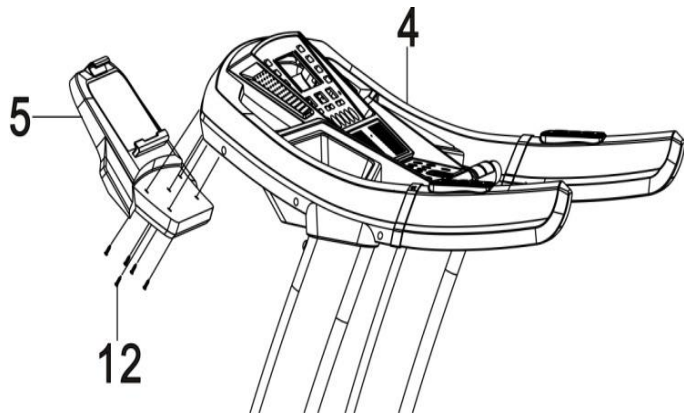
1. Повдигнете лявата стойка (2) и дясната стойка (3) и ги закрепете към основната рамка (1). Използвайте ключ allen 6 (18) и монтирайте 1 винт M10x55 (8), 2 винта M10x20 (9) и 3 шайби M10 (13) на всяка страна. Внимавайте да не повредите кабела, когато вкарвате стойките в основната рамка.
2. Не затягайте болтовете и винтовете в тази стъпка.

СТЪПКА 3



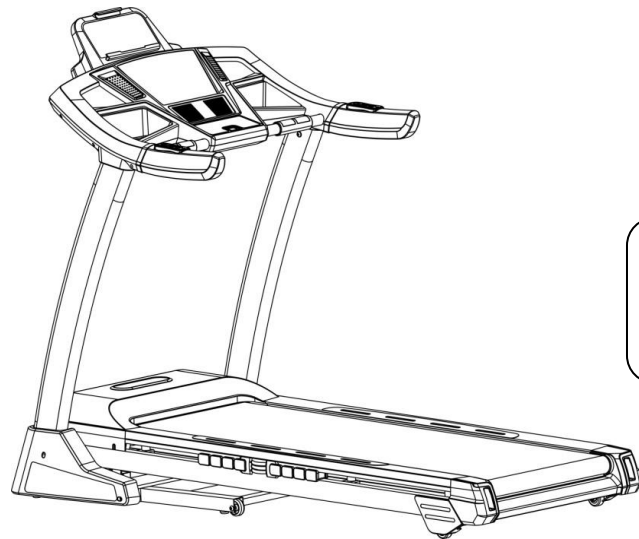
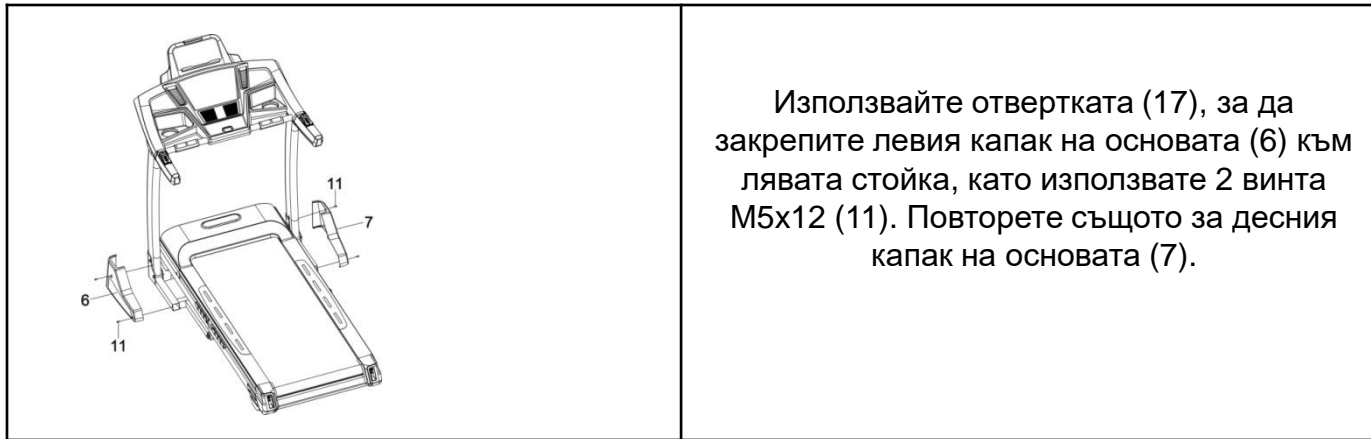
1. Първо свържете кабела в горната част на дясната колона (3) с удължителя на кабела на конзолата (4). Обърнете внимание на кабелната връзка, неправилна връзка ще повреди кабелния конектор.
2. Както е показано на снимката, използвайте ключ allen5 (19), за да монтирате конзолата (4) върху лявата (2) и дясна (3) стойка, като използвате 4 винта M8x15 (10) и 4 шайби M8 (14).
3. След това затегнете добре всички винтове от стъпки 2 и 3.

СТЪПКА 4



Използвайте отвертката (17), за да закрепите опорната основа (5) върху конзолата (4) с помощта на 5 винта M4x15 (12).

СТЪПКА 5



Забележка: За по-голяма безопасност и комфорт, след като завършите сглобяването, уверете се че всички винтове са добре затегнати!

ОБЩИ ИНСТРУКЦИИ ЗА ВАШАТА БЕЗОПАСНОСТ

- А. Преди да започнете тренировката, задължение на потребителя е да прочете инструкциите на ръководството, за да се запознае добре с функциите на бягащата пътека.
- Б. Поставете защитния ключ върху конзолата (уредът не работи без защитния ключ). Закрепете ключа в другия му край с clip върху дрехата си, за да сте сигурни, че оборудването ще преустанови работа, ако не го използвате правилно.
- В. Ако потребителят падне от бягащата пътека, защитния ключ ще излезе от мястото си и уредът веднага ще преустанови работа, за да се предотвратят наранявания.
- Г. Не стойте върху пътеката при стартиране на уреда, заемете стабилно положение върху двете пластмасови повърхности от лявата и дясната страна.
- Е. Натискайки бутона start, уредът започва да отчита в обратна посока 3, 2, 1, 0 и започва работа с малка скорост 1.0 км/ч. Ако сте начинаещ, тренирайте при малка скорост и се придържайте здраво към опорните ръкохватки

УПЪТВАНЕ ЗА БЪРЗО ПОЛЗВАНЕ



РАБОТА НА КОНТРОЛНИЯ ПАНЕЛ

ВРЕМЕ: Отчита общото време при тренировка от 0:00 до 99:00 минути

ПУЛС: Трябва да държите и двата метални сензора, разположени върху лявата и дясната ръкохватка за отчитане на сърдечната честота. Върху екрана ще се появи отчетената стойност на пулса от 50 до 200, за минута.

СКОРОСТ: На екрана се появява настоящата скорост на пътеката, започвайки от 1.0 км/ч до 20.0 км/ч.

КАЛОРИИ: Отчита общия разход на калории по време на тренировка. Максималната стойност е 990 калории.

Разстояние: Отчита общото изминато разстояние в километри от 0 до 99,9, отчитайки възходящо.

Отчита общото изминато разстояние в километри от 0 до 99,9, отчитайки низходящо.

НАКЛОН: На екрана се отчита наклона на пътеката от 1 до 15%.

ЗАПОЧВАЙКИ ТРЕНИРОВКАТА

УКАЗАНИЕ:

1. Убедете се, че движението на пътеката не е възпрепятствано.
2. Свържете захранващия кабел и включете бягащата пътека.
3. Заемете стабилно положение върху страничните пластмасови опори в ляво и дясно.
4. Закрепете ключа за безопасност върху дрехите.
5. Поставете защитния ключ на обозначеното място върху конзолата и уредът ще бъде готов да започне работа.
6. Върху двете ръкохватки са разположени регулиращи бутони, от дясно е бутонът за регулиране на скоростта + и -, от ляво е бутонът за наклон + и -, задавайки изпълнението на функциите, както и от контролния панел.
7. По време на тренировка, изпълнявайки която и да е функция, при натискане на бутона STOP, уредът преустановява работа. Ако желаете да продължите тренировката, натиснете бутона START и всички по-рано зададени функции се възстановяват. Пътеката започва работа след 5 секунди. Ако искате пътеката да бъде в състояние готовност, натиснете бутона STOP втори път след като вече сте го натиснали веднъж, за да преустановите работата.
8. Можете да изберете един от двата начина да започнете тренировката:

A. QUICK START

Натиснете бутона START за да започнете тренировката.

B. SELECT A PROGRAM (изберете програма). Натиснете бутона MODE (избор) и след това бутона PROGRAM, изберете една от 8 зададени програми и натиснете START.

ОПЕРАЦИЯ QUICK START

СТЪПКА 1: Съединете защитния ключ с контролния панел и уредът ще е в състояние готовност за работа.

СТЪПКА 2: Натиснете бутона START и след 5 секунди обратно броене уредът ще започне работа. Използвайте бутоните SPEED +/- или бутоните за бърз избор на скоростта на контролния панел, за да изберете в който и да е момент желаната скорост. Може да регулирате скоростта и от дясната ръкохватка. За да регулирате наклона, използвайте бутоните SPEED +/- или бутоните за бърз избор на наклона на контролния панел. Наклонът може да се регулира и от лявата ръкохватка.

СТЪПКА 3: За да измерите пулса, хванете стабилно сензорите, разположени върху ръкохватките. Възможно е правилното отчитане да се появи на екрана след няколко секунди. Честотата на пулса ще се появи на екрана PULSE.

СТЪПКА 4: Натиснете бутона STOP, за да прекъснете тренировката или извадете защитния ключ, за да преустановите работа на уреда.

Натискайки бутона STOP програмата ще спре, а ако желаете да продължите тренировката, натиснете бутона START и всички по-рано отчетени данни ще се възстановят от мястото в което сте ги прекъснали. Пътеката ще започне работа след четири секунди, отчитайки чрез обратно броене.

СТЪПКА 5: По време на операцията QUICK START, функциите време, калории и разстояние отчитат във възходящ ред.

УКАЗАНИЕ: РЪЧНО РЕГУЛИРАНЕ НА ПРОГРАМА

В рамките на изпълнение на всяка една от програмите, време, калории и разстояние винаги отчитат във низходящ ред. Когато по време на тренировка съответната програма завърши, уредът спира автоматично. Ако желаете да продължите, натиснете бутона START и уредът ще започне работа след пет секунди.

СТЪПКА 1: Приспособете защитния ключ към екрана и уредът ще бъде поставен в състояние на готовност за работа.

СТЪПКА 2: Натиснете бутона MODE и тогава на екрана, който отчита времето се появява означението 30:00. След това натиснете бутоните SPEED +/- , за да регулирате времето, отброявайки обратно от 8:00 до 99:00 минути. Ако не желаете времето да се отчита с обратно броене, е възможен избора на друга опция. Не натискайте бутоните SPEED +/- , а директно натиснете бутона MODE и на екрана, който отчита калории/разстояние ще се появи означение 1.0. Тогава е възможно да регулирате отчитането на разстоянието с обратно броене, натискайки бутоните SPEED +/- от 1.0 км до 99.0 км.

Ако не желаете да определите отчитането на разстоянието, е възможно да изберете друга опция. Не натискайте бутоните SPEED +/- , а директно натиснете отново бутона MODE и на екрана, който отчита калории/разстояние ще се появи означение 20. Тогава е възможно да регулирате отчитането на калориите с обратно броене, натискайки бутоните SPEED +/- от 20 kcal до 990 kcal.

СТЪПКА 3: След като приключите с ръчното регулиране на избор на програма, натиснете бутона START и уредът ще започне работа след 4 секунди.

СТЪПКА 4: По време на изпълнение на програмата, може да регулирате скоростта, натискайки бутоните SPEED +/- & наклона натискайки INCLINE+/- . Също така, скоростта и наклона могат да се регулират и от бутоните разположени на ръкохватките.

СТЪПКА 5: Натиснете бутона STOP, за да преустановите тренировката или отстранете защитния ключ от контролния панел и уредът ще преустанови веднага своята работа. Натиснете бутона STOP и програмата ще се преустанови веднага. Ако желаете да продължите натиснете бутона START и уредът ще започне работа след 4 секунди, като програмата ще продължи от мястото на което сте преустановили. След като уредът приключи работа, натиснете бутона STOP, ако желаете да бъде в състояние на готовност.

УКАЗАНИЕ: ЗАДАДЕНИ ПРОГРАМИ

Всички зададени програми са разпределени в осемнадесет основни групи и скоростта за всяка група е определена. Времето между осемнадесетте групи за всяка програма, се определя автоматично в зависимост от времето, което вече сте избрали съществуват 8 зададени програми за 8 различни цели на тренировка и 8 различни нива на натоварване за всяко упражнение от тренировката.

СТЪПКА 1: Приспособете защитния ключ към екрана и уредът ще бъде поставен в състояние на готовност за работа.

СТЪПКА 2: Натиснете бутона PROGRAM, за да изберете една от осемте зададени програми за тренировка и след това изберете BODY FAT. Всяка програма се избира като задържите натиснат бутона PROGRAM. След като изберете желаното натоварване, натиснете бутона speed +/- , за да определите времето. Зададената стойност на времето за всяка програма е 30:00 минути и може да се регулира от 8:00 до 99:00 минути.

СТЪПКА 3: След като сте определили времето, натиснете бутона START, за да започнете тренировката.

СТЪПКА 4: По време на изпълнение на програмата може да определите скоростта, натискайки бутона SPEED +/- на екрана или на дясната. Тази стойност важи само за времето на определената тренировка, след това скоростта се възстановява към зададените стойности.

СТЪПКА 5: Натиснете бутона STOP за да преустановите тренировката или отстранете защитния ключ от контролния панел и уредът ще преустанови веднага своята работа.

ОТЧИТАНЕ НА СЪРДЕЧНАТА ЧЕСТОТА

Върху контролния панел на екрана PULSE се показва стойността на пулса, отчитана от сензорите разположени на ръкохватките.

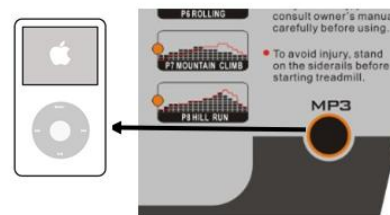
Когато желаете да наблюдавате стойностите на сърдечната честота:

1. Поставете устойчиво ръцете си върху двете ръкохватки. За да е точно измерването, трябва да държите и двата сензора.
2. Предполагамото време за поява на стойностите на екрана PULSE е 5 секунди от момента на захващане на ръкохватките.
3. Измерването не е точно и не следва да се доверяват на отчетените стойности, лица със заболявания, за които е нужно точно проследяване на сърдечната честота

ИЗПОЛЗВАНЕ НА АУДИО ФУНКЦИИТЕ

Както е показано на фигурата, включете единия край на кабела в аудио жака на компютъра, а другия край в плейъра си, след което ще чуете музика от високоговорителите на компютъра.

ЗАБЕЛЕЖКА: Силата на звука може да се регулира само от вашия плейър.



ПОРТА MP3 PLAYER

Компютърът на бягащата пътека е конфигуриран да работи в режим MP3. Може да го използвате, като следвате опциите по-долу. Включете превключвателя на захранването на бягащата пътека, поставете обезопасяващия ключ, за да се активира синия екран на устройството, след което поставете в портата USB на конзолата съответната USB (флашка).

С натискане на съответния бутон изберете следващия музикален файл.



С натискане на съответния бутон изберете предишния музикален файл.



С натискане на съответния бутон увеличете силата на звука на високоговорителите на устройството.



С натискане на съответния бутон намалете силата на звука на високоговорителите на устройството.



ВРЪЗКА СЪС (SMART) ИНТЕЛИГЕНТНО УСТРОЙСТВО

СТЪПКА 1: Активирайте Bluetooth на вашето интелигентно устройство и потърсете устройството. След това щракнете (ok), за да свържете с устройството си и да сдвоите, когато се появи RUN MUSIC.

СТЪПКА 2: След свързването звукът от вашето интелигентно устройство ще се възпроизвежда от високоговорителите на пътеката.

Съвместим е с приложението **i Console** + с реални маршрути и карти, интерактивни видеоклипове за тренировки и файл с данни от вашите тренировки.

Изтеглете приложението smart phone на вашия смартфон или приложението I Console+ на вашия таблет от Google Play за Android и от APP Store за IOS, или използвайте следния Scan QR код.



Съвместим е с приложението **Kinomap** (необходим е абонамент). Изтеглете приложението Kinomap (Google Play за Android и APP Store за IOS) на вашия смартфон или таблет.

Тренирайте по света с интерактивни видеоклипове и маршрути, а бягащата пътека автоматично ще коригира наклона в зависимост от избора от вас маршрут.

Изследвайте света, следете резултатите си, споделяйте своя опит с цялата общност на Kinomap.

Поканете и се състезавайте с други потребители на приложението Kinomap, и дори можете да тренирате сами, преодолявайки някой от предишните си резултати!



ОТЧИТАНЕ ИЗМЕРВАНЕТО НА МАЗНИНИ

С тази операция се определя съдържанието на мазнини в тялото, на базата на информация за основното състояние на вашето тяло.

Това измерване не е точно и не следва да се доверяват на отчетените стойности, лица със заболявания или определена нужда за точно отчитане на мазнините.

СТЪПКА 1: Натиснете бутона PROGRAM няколко пъти и на деветия на екрана TIME ще се появи означението FAT. Натиснете бутона MODE, за да зададете съответните параметри: пол, възраст, височина и тегло.

СТЪПКА 2: След задаване на опцията за отчитане на телесните мазнини, на екрана SPEED ще се появи цифрата F1, на екрана PULSE ще се появи цифрата 1, която отговаря на стойността пол. Натиснете бутона SPEED +/-, за да определите пола 1-2. Цифрата 1 отговаря на мъжки пол, а цифрата 2 отговаря на женски пол. След това натиснете бутона MODE за да пристъпите към следващата стъпка.

СТЪПКА 3: След като натиснете бутона MODE, на екрана SPEED ще се появи цифрата F 2, на екрана PULSE ще се появи числото 25, което отговаря на стойността възраст. Натиснете бутона SPEED +/-, за да определите възрастта 1-99. След това натиснете бутона MODE за да пристъпите към следващата стъпка.

СТЪПКА 4: След като натиснете бутона MODE, на екрана SPEED ще се появи цифрата F3, на екрана PULSE ще се появи числото 170, което отговаря на стойността височина. Натиснете бутона SPEED +/-, за да определите височината от 100CM-199CM. След това натиснете бутона MODE за да пристъпите към следващата стъпка.

СТЪПКА 5: След като натиснете бутона MODE, на екрана SPEED ще се появи цифрата F4, на екрана PULSE ще се появи числото 70, което отговаря на стойността тегло. Натиснете бутона SPEED +/-, за да определите теглото от 20kg-150kg. След това натиснете бутона MODE за да пристъпите към следващата стъпка.

СТЪПКА 6: След като регулирате настройките, определяйки всички стойности на състоянието на вашето тяло, натиснете бутона MODE и на екрана SPEED ще се появи "F5", на екрана PULSE, ще се появи означението "---", което означава че започва изчислението на зададените данни. Задръжте сензорите за отчитане на пулса с двете ръце върху ръкохватките и след 8 секунди на екрана PULSE ще се появи отчетената стойност на телесните мазнини.

ТАБЛИЦА НА ТЕЛЕСНИТЕ МАЗНИНИ

Резултатите от стойностите на телесните мазнини, посочени в таблицата по-долу, дават информация за състоянието на тялото. Проверете своето телесно състояние, съгласно отчетените стойности изобразени в лявата част на диаграмата на уреда.

Телесно състояние	Резултат
Затлъстяване	$BMI > 30$
Наднормено тегло	$26 < BMI < 30$
Във форма	$19 < BMI < 25$
Поднормено тегло	$BMI < 19$

ТАБЛИЦИ НА ЗАДАДЕНИТЕ ПРОГРАМИ P1. WEIGHT LOST

SPEED CHANGES		1	2	3	4	5	6	7	8	9	10	11	12	13	14	15	16	17	18
Level 1	SPEED(KM/H)	1	2	2	3	3	3	4	5	6	6	7	6	5	4	4	3	2	2
Level 2	SPEED(KM/H)	1	2	2	3	4	4	5	6	8	8	10	8	8	5	5	3	2	2
Level 3	SPEED(KM/H)	1	2	3	4	5	5	6	8	9	10	12	10	8	7	6	4	3	2
Level 4	SPEED(KM/H)	1	2	3	4	6	7	8	10	11	12	13	11	10	8	7	5	4	2
Level 5	SPEED(KM/H)	2	3	4	5	7	7	8	10	12	14	14	13	12	10	9	6	4	2
Level 6	SPEED(KM/H)	2	3	4	5	7	9	10	12	13	14	14	13	12	10	9	6	5	3
Level 7	SPEED(KM/H)	2	3	5	6	8	9	10	12	13	14	15	13	12	10	9	6	6	3
Level 8	SPEED(KM/H)	2	3	5	6	8	10	12	14	14	15	15	14	13	11	9	7	6	3

P2. CARDIO TRAIN

SPEED & INCLINE CHANGES		1	2	3	4	5	6	7	8	9	10	11	12	13	14	15	16	17	18
Level 1	ELEVATION	1	1	2	3	4	5	6	7	7	8	8	7	7	5	4	2	1	1
	SPEED(KM/H)	1	1	2	2	3	4	5	6	6	7	7	6	6	4	3	2	1	1
Level 2	ELEVATION	1	2	3	4	5	6	7	8	8	9	9	8	8	6	5	3	2	1
	SPEED(KM/H)	1	2	2	3	4	5	6	7	7	8	8	7	7	5	4	2	2	1
Level 3	ELEVATION	1	2	4	5	6	7	8	9	9	10	10	9	9	7	6	4	2	1
	SPEED(KM/H)	1	2	3	4	5	6	7	8	8	9	9	8	8	6	5	3	2	1
Level 4	ELEVATION	2	3	5	6	7	8	9	10	10	11	11	10	10	8	7	5	3	2
	SPEED(KM/H)	2	2	4	5	6	7	8	9	9	10	10	9	9	7	6	4	2	2
Level 5	ELEVATION	2	4	6	7	8	9	10	11	11	12	12	11	11	9	8	6	4	2
	SPEED(KM/H)	2	3	5	6	7	8	9	10	10	11	11	10	10	8	7	5	3	2
Level 6	ELEVATION	3	5	7	8	9	10	11	12	12	13	13	12	12	10	9	7	5	3
	SPEED(KM/H)	2	4	6	7	8	9	10	11	11	12	12	11	11	9	8	6	4	2
Level 7	ELEVATION	4	6	8	9	10	11	12	13	13	14	14	13	13	11	10	8	6	4
	SPEED(KM/H)	3	5	7	8	9	10	11	12	12	13	13	12	12	10	9	7	5	3
Level 8	ELEVATION	5	7	9	10	11	12	13	14	14	15	15	14	14	12	11	9	7	5
	SPEED(KM/H)	4	6	8	9	10	11	12	13	13	14	14	13	13	11	10	8	6	4

P3. FAT BURN

SPEED CHANGES		1	2	3	4	5	6	7	8	9	10	11	12	13	14	15	16	17	18
Level 1	SPEED(KM/H)	1	1	2	2	3	3	4	4	4	4	4	4	3	2	2	2	1	1
Level 2	SPEED(KM/H)	1	2	2	2	3	3	4	4	5	4	4	4	3	3	2	2	1	1
Level 3	SPEED(KM/H)	1	2	2	3	3	4	4	5	5	5	4	4	4	3	3	2	1	1
Level 4	SPEED(KM/H)	1	2	3	3	3	4	4	5	6	6	5	4	4	4	3	2	2	1
Level 5	SPEED(KM/H)	1	2	3	4	4	5	5	5	6	6	6	5	4	4	4	3	2	1
Level 6	SPEED(KM/H)	1	2	3	4	5	5	6	6	6	6	6	5	5	4	4	3	2	1
Level 7	SPEED(KM/H)	1	2	3	4	5	6	6	7	7	6	6	6	5	5	4	3	2	1
Level 8	SPEED(KM/H)	1	2	3	4	5	6	7	7	7	7	6	6	6	5	5	4	2	1

P4. POWER WALK

SPEED & INCLINE CHANGES		1	2	3	4	5	6	7	8	9	10	11	12	13	14	15	16	17	18
Level 1	ELEVATION	1	1	2	2	3	3	4	5	5	5	5	4	4	3	2	2	1	1
	SPEED(KM/H)	1	2	3	3	5	6	7	8	8	8	8	7	7	5	4	3	2	1
Level 2	ELEVATION	1	1	2	2	3	4	5	6	6	6	6	5	5	4	3	2	1	1
	SPEED(KM/H)	1	2	3	4	6	7	8	9	9	9	9	8	8	6	5	3	2	1
Level 3	ELEVATION	1	1	2	3	4	5	6	7	7	7	7	6	6	4	3	2	1	1
	SPEED(KM/H)	1	2	4	5	7	8	9	10	10	10	10	9	9	7	6	4	2	1
Level 4	ELEVATION	1	2	3	4	5	6	7	8	8	8	8	7	7	5	4	3	2	1
	SPEED(KM/H)	2	3	5	6	8	9	10	11	11	11	11	10	10	8	7	5	3	2
Level 5	ELEVATION	1	2	3	4	6	7	8	9	9	9	9	8	8	6	5	3	2	1
	SPEED(KM/H)	2	4	6	7	9	10	11	12	12	12	12	11	11	9	8	6	4	2
Level 6	ELEVATION	2	3	4	5	7	8	9	10	10	10	10	9	9	7	6	4	3	2
	SPEED(KM/H)	3	5	7	8	10	11	12	13	13	13	13	12	12	10	9	7	5	3
Level 7	ELEVATION	2	3	5	6	8	9	10	11	11	11	11	10	10	8	7	5	3	2
	SPEED(KM/H)	4	6	8	9	11	12	13	14	14	14	14	13	13	11	10	8	6	4
Level 8	ELEVATION	2	4	6	7	9	10	11	12	12	12	12	11	11	9	8	6	4	2
	SPEED(KM/H)	4	7	9	10	12	13	14	15	15	15	15	14	14	12	11	9	7	4

P5. INTERVAL

SPEED CHANGES		1	2	3	4	5	6	7	8	9	10	11	12	13	14	15	16	17	18
Level 1	SPEED(KM/H)	1	2	4	2	4	2	4	2	4	2	4	2	4	2	4	2	4	2
Level 2	SPEED(KM/H)	1	2	5	2	5	2	5	2	5	2	5	2	5	2	5	2	5	2
Level 3	SPEED(KM/H)	1	2	6	2	6	2	6	2	6	2	6	2	6	2	6	2	6	2
Level 4	SPEED(KM/H)	1	3	6	3	6	3	6	3	6	3	6	3	6	3	6	3	6	3
Level 5	SPEED(KM/H)	1	3	7	3	7	3	7	3	7	3	7	3	7	3	7	3	7	3
Level 6	SPEED(KM/H)	2	4	7	4	7	4	7	4	7	4	7	4	7	4	7	4	7	4
Level 7	SPEED(KM/H)	2	4	8	4	8	4	8	4	8	4	8	4	8	4	8	4	8	4
Level 8	SPEED(KM/H)	2	5	8	5	8	5	8	5	8	5	8	5	8	5	8	5	8	5

P6. ROLLING

SPEED CHANGES		1	2	3	4	5	6	7	8	9	10	11	12	13	14	15	16	17	18
Level 1	SPEED(KM/H)	1	2	3	2	1	2	3	2	1	2	3	2	1	2	3	2	1	1
Level 2	SPEED(KM/H)	2	3	4	3	2	3	4	3	2	3	4	3	2	3	4	3	2	2
Level 3	SPEED(KM/H)	2	3	4	5	4	3	4	5	4	3	4	5	4	3	4	5	4	3
Level 4	SPEED(KM/H)	2	4	5	6	5	4	5	6	5	4	5	6	5	4	5	6	5	3
Level 5	SPEED(KM/H)	2	5	6	7	6	5	6	7	6	5	6	7	5	6	7	6	5	3
Level 6	SPEED(KM/H)	3	6	7	8	7	6	7	8	7	6	7	8	7	6	7	8	7	4
Level 7	SPEED(KM/H)	3	7	8	9	8	7	8	9	8	7	8	9	8	7	8	9	8	4
Level 8	SPEED(KM/H)	3	8	9	10	9	8	9	10	9	8	9	10	9	8	9	10	8	4

P7. MOUNTAIN CLIMB

SPEED & INCLINE CHANGES		1	2	3	4	5	6	7	8	9	10	11	12	13	14	15	16	17	18
Level 1	ELEVATION	0	1	1	2	2	3	3	4	4	5	6	7	8	7	6	4	2	0
	SPEED(KM/H)	1	1	2	2	3	3	3	4	4	4	3	3	3	2	2	2	1	1
Level 2	ELEVATION	0	1	2	2	3	3	4	4	5	6	7	8	9	8	6	4	2	0
	SPEED(KM/H)	1	1	2	2	3	3	3	4	4	4	3	3	3	2	2	2	1	1
Level 3	ELEVATION	1	1	2	3	3	4	4	5	6	7	8	9	10	9	8	6	4	2
	SPEED(KM/H)	1	1	2	2	3	3	3	4	4	4	3	3	3	2	2	2	1	1
Level 4	ELEVATION	1	2	2	3	3	4	5	6	7	8	9	10	11	10	8	7	5	3
	SPEED(KM/H)	2	2	3	3	4	4	4	5	5	4	4	4	3	3	3	2	2	2
Level 5	ELEVATION	1	2	3	4	5	6	7	8	9	9	10	11	12	11	10	8	6	4
	SPEED(KM/H)	2	2	3	3	4	4	4	5	5	4	4	4	3	3	3	2	2	2
Level 6	ELEVATION	2	2	3	4	5	6	7	8	9	10	11	12	13	12	10	8	6	4
	SPEED(KM/H)	2	2	3	3	4	4	4	5	5	4	4	4	3	3	3	2	2	2
Level 7	ELEVATION	2	3	4	5	6	7	8	9	10	11	12	13	14	13	10	8	6	4
	SPEED(KM/H)	2	2	4	4	5	5	5	6	6	6	5	5	4	4	4	2	2	2
Level 8	ELEVATION	3	4	5	6	7	8	9	10	11	12	13	14	15	13	10	8	6	4
	SPEED(KM/H)	2	2	4	4	5	5	5	6	6	6	5	5	4	4	4	2	2	2

P8. HILL RUN

SPEED & INCLINE CHANGES		1	2	3	4	5	6	7	8	9	10	11	12	13	14	15	16	17	18
Level 1	ELEVATION	0	0	1	1	2	2	2	3	3	3	4	4	5	5	4	3	2	1
	SPEED(KM/H)	2	2	2	3	3	3	5	5	7	7	9	9	10	8	8	6	4	2
Level 2	ELEVATION	0	0	1	1	2	2	2	3	3	3	4	4	5	6	5	3	2	1
	SPEED(KM/H)	2	2	2	4	4	4	6	6	6	8	8	10	10	8	8	6	4	2
Level 3	ELEVATION	0	0	1	1	2	2	3	3	3	4	4	5	5	6	5	3	2	1
	SPEED(KM/H)	2	2	4	4	4	6	6	6	8	8	10	10	12	10	8	6	4	2
Level 4	ELEVATION	0	1	1	2	2	3	3	4	4	4	5	5	6	7	6	5	3	2
	SPEED(KM/H)	2	2	4	4	6	6	8	8	8	10	10	10	12	12	10	7	5	3
Level 5	ELEVATION	1	1	2	2	3	3	4	4	5	5	6	6	7	8	7	6	3	2
	SPEED(KM/H)	2	4	6	6	6	6	8	8	8	10	10	12	13	12	10	7	5	3
Level 6	ELEVATION	1	2	3	4	4	4	5	5	6	6	7	8	8	8	7	6	3	2
	SPEED(KM/H)	2	4	6	6	6	6	8	8	10	10	12	13	13	12	10	7	5	3
Level 7	ELEVATION	1	2	3	4	5	6	6	7	7	8	8	9	10	10	9	6	3	2
	SPEED(KM/H)	2	4	6	6	8	8	10	10	12	13	13	14	13	12	10	7	5	3
Level 8	ELEVATION	1	2	3	4	6	6	7	7	8	8	9	9	10	12	9	6	3	2
	SPEED(KM/H)	2	4	6	8	10	10	12	12	13	13	14	14	13	12	10	7	5	3

СГЪВАНЕ НА ПЪТЕКАТА

1. За да сгънете пътеката, първо изключете главния прекъсвач.
2. Уверете се, че уредът не е под наклон.
3. Повдигнете нагоре основната рамка до заемане на паралелно положение спрямо останалата част на уреда. Застопорете основата със специалния подпорен лост, както е показано на фигурата.
4. Уверете се, че основата се намира в правилно положение спрямо лоста.

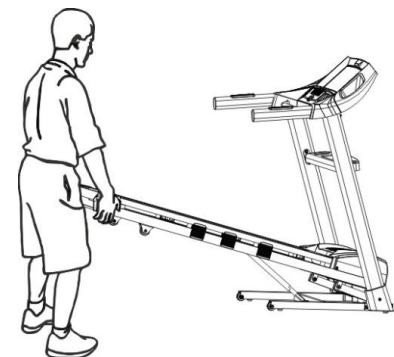
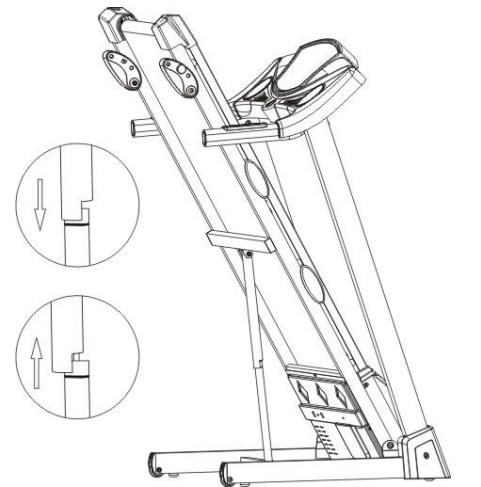
РАЗГЪВАНЕ НА ПЪТЕКАТА

1. Разгънете пътеката, като за целта осигурите около уреда достатъчно свободно място, приблизително един метър, нужно за правилното разположение и работа на уреда.
 2. Продължете разгъването, като с две ръце държите основната рамка на уреда, а с крак освободете пътеката, натискайки опорния амортизатор.
- След това с плавни движения притискайте уреда към пода, като основната рамка се спуска надолу автоматично, преди да достигне на разстояние един метър от пода. Трябва да сте осигурили поне един метър свободно място около уреда, за да се прибере до крайно положение, както е показано на фигурата.

КАК ДА ПРЕМЕСТВАТЕ БЯГАЩАТА ПЪТЕКА

- 1: Изключете главния прекъсвач.
- 2: Извадете щепсела от контакта.
- 3: Сгънете бягащата пътека.

След изпълнението на трите по-горе споменати основни стъпки, повдигнете уреда за ръкохватките под наклон 30-40 градуса до височината на гърдите и го преместете, както е показано на фигурата.



КАК ДА ПОСТАВИТЕ СМАЗОЧНО МАСЛО НА ОСНОВАТА ЗАБЯГАНЕ

1-ва СТЪПКА Поставете лентата за бягане, като обърнете шева отгоре, в центъра на основата.

2-ра СТЪПКА Повдигайки края на лентата за бягане, поставете накрайника на спрея, на разстояние приблизително 6 инча от предната част на пътеката. Разстелете силикона по дължината на основата. Повторете същите действия и от другата на лентата за бягане. Пръскайте в продължение на поне 4 секунди от всяка страна.

3-та СТЪПКА Оставете да попие за една минута преди да използвате пътеката.

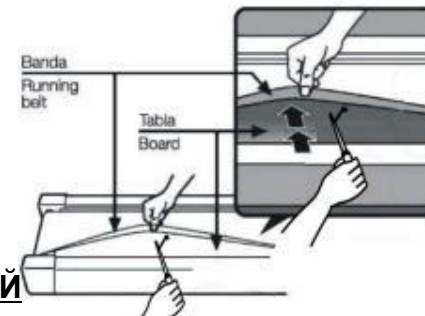
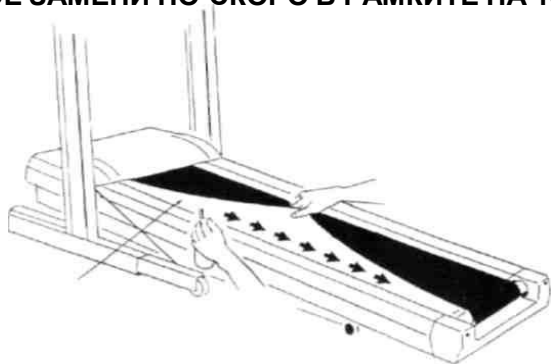
След това включете бягащата пътека като я поставите на скорост 3 км и я оставете да работи още 5 минути, без да се качвате на нея. Ще можете да използвате бягащата пътека след 1 час. Винаги да спазвате тази конкретна процедура, когато смазвате пода на бягащата пътека.

ВАЖНО ПРЕДУПРЕЖДЕНИЕ: Не напоявайте прекалено основа за бягане с масло. Излишното количество трябва да се отстрани с кърпа.

Също така е важно, първият път, когато бягащата пътека се сглобява след изваждане от нейната опаковка и преди да влезе в употреба, да смажете пода с вискозния силиконов лубрикант, включен в комплекта за монтаж. След 15 часа ежедневна употреба на бягащата пътека или след два месеца, ако не се използва ежедневно, първо трябва да почистите с кърпа стария лубрикант и след това да смажете пода със специалния силиконов лубрикант под формата на спрей, който можете да закупите само от магазини за фитнес оборудване.

Ремъците за бягане (настилка) на бягащата пътека е от материал, който може да се изхаби от триенето, а максималният му експлоатационен живот е 3 години. След това трябва да бъде заменен от оторизиран сервиз. Също така, когато бягащата пътека не се използва дълго време, настилка се разрушава, поради неизползване и отново се нуждае от подмяна, тъй като може да предизвика късо съединение в електрическите части на бягащата пътека.

ВНИМАНИЕ !!! АКО БЯГАЩАТА ПЪТЕКА СЕ ИЗПОЛЗВА ИНТЕНЗИВНО, ЕДИН РЕМЪК (НАСТИЛКА) МОЖЕ ДА СЕ НАЛОЖИ ДА СЕ ЗАМЕНИ ПО-СКОРО В РАМКИТЕ НА 18 ДО 24 МЕСЕЦА.



ПРЕДУПРЕЖДЕНИЕ ЗА СИЛИКОНОВИЯ СПРЕЙ **ПАЗЕТЕ ГО ДАЛЕЧ ОТ ДЕЦА!!!**

Ако погълнете или спрей попадне директно в лицето, потърсете лекарска помощ.

Този продукт може да предизвика увреждане или загуба, ако не се използва в съответствие с инструкциите за употреба.

Този продукт е предназначен за продажба само като смазочен материал и се използва с изричната отговорност на купувача.

Производителя и негови представители не носят никаква отговорност за този продукт.

Почистване

Отстранете праха от уреда с вакуум или с леко навлажнена кърпа.

За периодичното почистване на пътеката с вакуум, сгъвайте пътеката.

Това ще доведе до удължаване на живота на вашето оборудването.

Не използвайте разтворители при почистване на основата или лентата за бягане на уреда.

Използването на разтворители може да доведе до намаляване на нужното количество масло за поддръжка на основата и лентата за бягане.

Центриране на лентата за бягане

Когато използвате пътеката, при бягане или ходене, може да упражните различен товар с единия, отколкото с другия крак. Това води до промяна на положението и изместване на лентата за бягане от центъра. Оборудването е проектирано и произведено така, че да осигурява правилното движение на лентата, която е центрирана върху основата на уреда. Може да се наложи допълнително регулиране, така че лентата за бягане да е винаги в центъра. За да центрирате лентата използвайте приложения ключ Allen, за да регулирате позицията на задния барабан.

Процес на центриране на лентата за бягане.

- 1.) Не носете широки дрехи, вратовръзки или висящи бижута, когато извършвате регулацията.
- 2.) Никога не затягвайте болтовете повече от $\frac{1}{4}$ завъртане всеки път.
- 3.) Винаги затягвайте едната и разхлабете другата страна, за да предотвратите свръх затягане или разхлабване на лентата.
- 4.) Включете уреда. Регулирайте лентата, когато е в процес на работа (4 км/ч) и върху уреда няма трениращ.

След като извършите регулирането, вървете върху лентата за около 5 минути, за да извършите проверка. Ако се наложи да повторите действията, никога не затягвайте болтовете повече от $\frac{1}{4}$ завъртане всеки път. Прекомерното затягане може да доведе до значително намаляване на живота на лентата.

АКО ЛЕНТАТА Е ИЗМЕСТЕНА НА ЛЯВО:

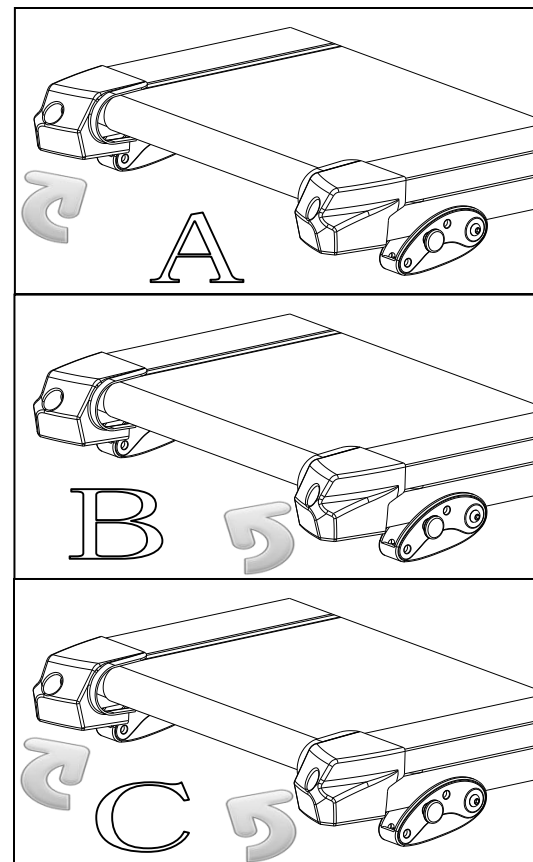
- Завийте болта на левия барабан с $\frac{1}{4}$ завъртане на дясно (затягане – опъване).
- Завийте болта на десния барабан с $\frac{1}{4}$ завъртане на ляво (разхлабване).

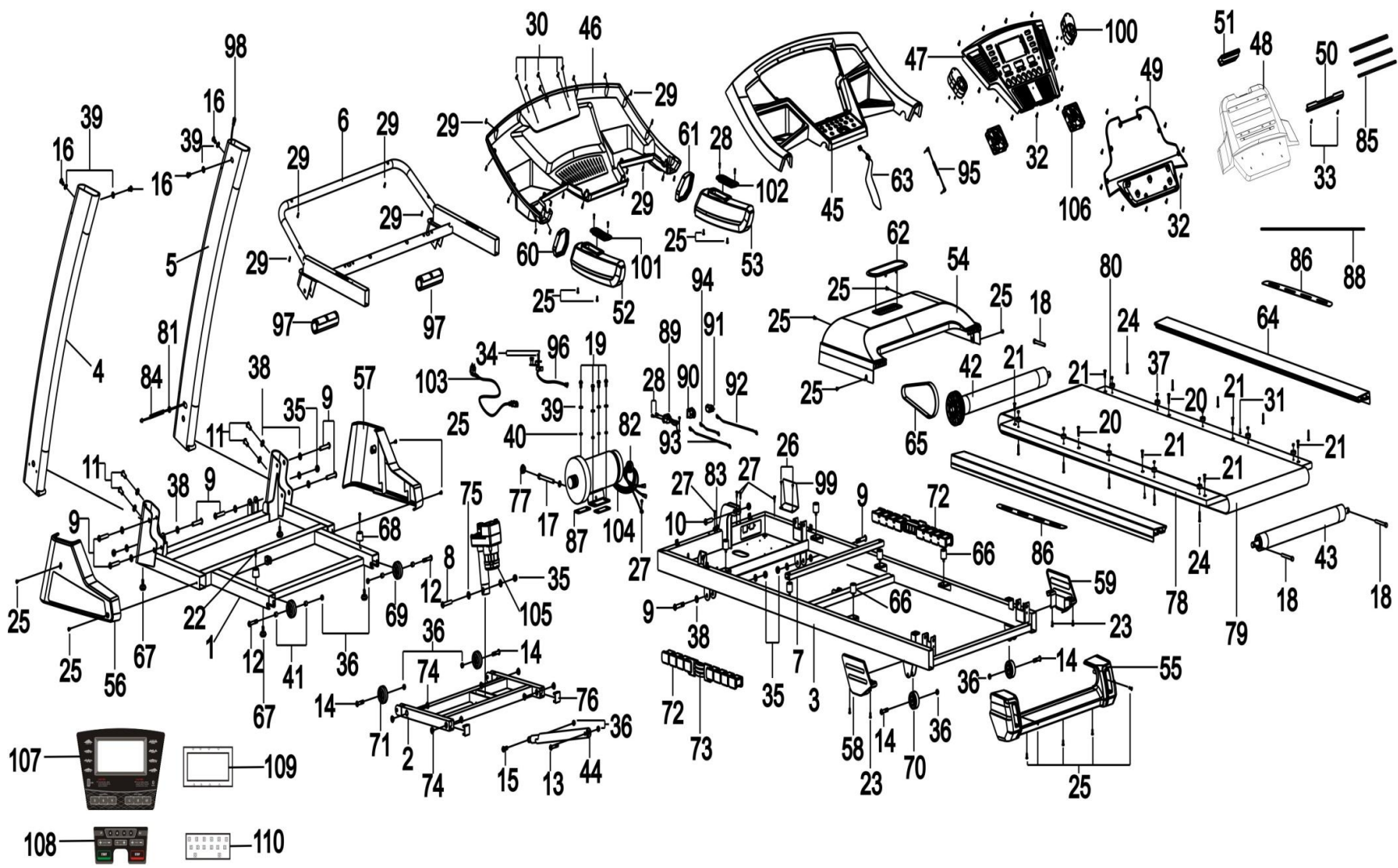
АКО ЛЕНТАТА Е ИЗМЕСТЕНА НА ДЯСНО:

- Завийте болта на десния барабан с $\frac{1}{4}$ завъртане на дясно (затягане – опъване).
- Завийте болта на левия барабан с $\frac{1}{4}$ завъртане на ляво (разхлабване).

РЕГУЛИРАНЕ НА ОПЪВАНЕТО НА ЛЕНТАТА ЗА БЯГАНЕ

Ако когато стъпите върху лентата за бягане тя се хлъзга, тогава лентата е станала еластична и се изплъзва от барабаните. Всички ленти с времето стават еластични, затова регулацията е една нормална и рутинна процедура. За да намалите плъзгането, завийте и двата болта Allen на задния барабан с $\frac{1}{4}$ завъртане, както е показано. Изпробвайте уреда отново, за да проверите дали се плъзга. Ако се наложи да повторите действията, никога не затягвайте болтовете повече от $\frac{1}{4}$ завъртане всеки





NO.	DESCRIPTION	Q'TY	NO.	DESCRIPTION	Q'TY
1	BASE	1	43	REAR ROLLER	
2	INCLINE RACK	1	44	AIR CYLINDER	
3	MAIN FRAME	1	45	CONSOLE PLASTIC HOUSING-UPPER	
4	LEFT UPRIGHT	1	46	CONSOLE PLASTIC HOUSING-BOTTOM	
5	RIGHT UPRIGHT	1	47	COMPUTER PLASTIC	
6	CONSOLE RACK	1	48	IPAD RACK-FRONT CASE	
7	CROSS BAR	1	49	IPAD RACK-BACK CASE	
8	BOLT M10*60	1	50	IPAD RACK	
9	BOLT M10*55	8	51	IPAD FIXED PLATE	
10	BOLT M10*40	1	52	HANDRAIL FOAM-L	
11	BOLT M10*25	4	53	HANDRAIL FOAM-R	
12	BOLT M8*50	2	54	MOTOR COVER	1
13	BOLT M8*45	1	55	REAR END CAP	1
14	BOLT M8*40	4	56	BASE COVER-L	1
15	BOLT M8*28	1	57	BASE COVER-R	1
16	BOLT M8*15	4	58	FRAME WHEEL COVER-L	1
17	BOLT M8*90	1	59	FRAME WHEEL COVER-R	1
18	BOLT M8*65	3	60	HANDRAIL PVC RING-L	1
19	BOLT M8*15	4	61	HANDRAIL PVC RING-R	1
20	BOLT M6*45	2	62	MOTOR COVER LOGO PLATE	1
21	BOLT M6*25	6	63	SAFETY KEY	1
22	BOLT M6*20	2	64	SIDE RAIL	2
23	BOLT M6*10	4	65	MOTOR BELT	1
24	BOLT M5*28	10	66	BASE CUSHION	6
25	BOLT M5*12	17	67	BASE FOOT PAD	4
26	SCREWS M4*15	2	68	BASE CUSHION	2
27	SCREWS M4*12	5	69	MOVING WHEEL	2
28	SCREWS M4*15	2	70	FRAME WHEEL	2
29	SCREWS M4*12	23	71	INCLINE MOVING WHEEL	2
30	SCREWS M4*15	5	72	AIR CUSHION	4
31	SCREWS M4*25	2	73	SPRING CUSHION	2
32	SCREWS M4*10	21	74	PLASTIC BUSHION(FOR INCLINE)	8
33	SCREWS M3*10	2	75	PLASTIC BUSHION FOR INCLINE MOTOR	2
34	SCREWS M3*6	13	76	BASE END CAP	2
35	NUT M10	6	77	END CAP FOR MOTOR	1
36	NUT M8	8	78	RUNNING DECK	1
37	NUT M5	10	79	RUNNING BELT	1
38	FLAT WASHER $\phi 20 \times \phi 10.5 \times T1.5$	14	80	SIDE RAIL FASTENER	10
39	FLAT WASHER $\phi 17 \times \phi 8.5 \times T1.5$	9	81	CABLE GROMMET	1
40	SPRING WASHER	4	82	MAGNETIC RING	1
41	BASE WHEEL SPACER	4	83	CABLE CLIP	1
42	FRONT ROLLER	1	84	WAVE PIPE	1
85	Silicon Pad	1	98	DATA CABLE	1
86	FOOT REST	2	99	CONTROLLER	1
87	RUBBER PAD	2	100	SPEAKER	2
88	ROPE	1	101	LEFT HANDRAIL BUTTON	1
89	POWER SWITCH	1	102	RIGHT HANDRAIL BUTTON	1
90	POWER CORD JACK	1	103	POWER CORD	1
91	CIRCUIT BREAKER	1	104	MOTOR	1
92	RED AC CABLE L=280mm	1	105	INCLINE MOTOR	1
93	BLACK AC CABLE L=280mm	1	106	FAN	2
94	BROWN CABLE L=100mm	1	107	Console Sticker	1
95	AUDIO CABLE	1	108	KEY Pad Sticker	1
96	SENSOR SET	1	109	Console PCB	1
97	HANDRAIL PULSE SET	2	110	KEY Pad	1

ГАРАНЦИОННИ УСЛОВИЯ ЗА БЯГАЩИ ЕЛЕКТРИЧЕСКИ ПЪТЕКИ

Гаранцията се прилага: за (2) години от датата на покупката на продукта до моторните и електронните части (бордова конзола). за една (1) година на работния колан и на пода, ако се поддържа правилно със силиконовия спрей.

Гаранцията важи за 2(две) години от датата на закупуване на продукта.

- Гаранцията покрива вероятен дефект при производството.
 - Решението дали да се извърши подмяна на част се взема от компетентните техници.
 - Разходите по сглобяване, проверка, настройка на постелката са за сметка на потребителя.
 - Посещение на техника след изтичането на 14 календарни дни от датата на покупката се заплащат от потребителя по установени от фирмата цени.
 - Извън рамките на Сервиза, ще се изпращат в централния Сервиз.
1. При повреда в рамките на 14 дена от датата на покупката, неизправното устройство ще се взема от дома/офиса на клиента от транспортна фирма. В този случай, разходите са за сметка на фирмата. (Ако са включени в описанието на уреда).
 2. При повреда извън рамките на 14 дневния срок от датата на покупката, неизправното устройство ще се доставя от клиента в транспортната фирма. Разходите за доставката от транспортната фирма до Сервиза и обратното са за сметка на фирмата. (Ако са включени в описанието на уреда).

- Гаранцията важи само за първия купувач на продукта.
- Гаранцията важи, само ако продуктът се използва в домашни условия (а не в гимнастически салони, спортни клубове, обществени помещения и др.)
- Отстраняването на каквато и да е повреда се извършва във възможно най-кратък срок.
- Предявяване на искове за обезщетение по причина на липса на резервни части или закъснение на предаване на продукта от ремонт, не се приемат.

Гаранцията не важи

- Когато повредата е причинена при неправилно ползване или лоша поддръжка.
- Също така, гаранцията не покрива консумативни материали, като пластмасови части, педали, трансформатори, ремъци, които са унищожени при неправилно ползване или друга причина.
- Гаранцията не покрива повреди, при ремонт, извършен от неоторизиран сервиз.
- Гаранцията не покрива повреди, които са причинени от неправилно сглобяване.
- Гаранцията е валидна само при представяне на оригинална фактура или касова бележка за покупката.

Във всички по-горе изброени случаи, разходите за ремонт и резервни части са за сметка на потребителя.

- Фирмата и фирмата вносител не носят никаква отговорност за грешки, допуснати при печат.
- Продуктът има разрешение за търговия в рамките на Европейската общност, СЕ.

**INTERSPORT Гърция
Genco Bulgaria Ltd.
София 1797, ул. "Околовръстен път" № 216**

**България
Тел.: +359 2 439 31 81
www.intersport.bg
<http://www.intersport.bg/bg/company/contact>**

**ENERGETICS
PR 11.0**



TURKISH MANUAL

Güvenliğiniz ve cihazın doğru kullanımı amacıyla aşağıdakiler dahil olmak üzere şu önlemler alınmalıdır:

Lütfen cihazı kullanmadan önce talimatları dikkatle okuyunuz.

Tehlike – Kısa devre tehlikesinden kaçınmak için:

1. Her zaman ana şalteri kapatın, cihazın her kullanımından sonra ve bakımını yapmadan önce kablosunu fişi/prizden çekin.

Uyarı – Yanık, yangın, kısa devre ve yaralanma risklerinden kaçınmak için:

1. Cihazı kullanmadığınız zamanlarda ve egzersizden sonra fişi prizden çıkarın.
2. Cihaz çocuklar veya engelli kişiler tarafından kullanıldığında yakın gözetim gereklidir.
3. Ürünün kablosu, fişi, hasarlıysa veya düzgün çalışmıyorsa, hasar görmüş veya üzerine bir sıvı dökülmüş ise asla kullanmayın. Cihazın bakımı ve onarımı için lütfen hemen teknik servis ile iletişime geçiniz.
4. Cihazı elektrik kablosundan tutarak asla taşımayın.
5. Kabloyu ısının yüksek olduğu yüzeylerden ve tozlu zeminlerden uzak tutun.
6. Cihazın havalandırma deliklerinin temiz olmasına ve toz, saç vb. şekilde tıkanmamasına dikkat edin.
7. Hava deliklerini içine bir şey atmayın.
8. Cihazı dış alanlarda kullanmayın ve depolamayın.
9. Cihazı sprey (böcek, sinek vb ilaçlar) püskürtülmüş yerlerde kullanmayın.
10. Cihazı kapatmadan önce, tüm tuşları off konumuna getirin ve sonrasında prizden çekiniz.
11. Koşu bandı katlanılabilir pozisyondaydı ve/veya kullanıcının cihazla işi bittiyse, eğim orijinal konumunda(sıfır) olmalıdır.
12. Cihaz kullanıldığı sırada katlanamaz.
13. Güvenliğiniz açısından 2x1 metrelik alanda, cihazın çevresinde bir şey bulunmamalıdır.
14. Bu cihaz sadece evde kullanılmak üzere tasarlanmıştır.
15. Katlama fonksiyonu ve elektrikli eğim olan koşu bantlarında, katlama işleminden önce eğimin 0 konumunda olduğundan emin olunuz.
16. Eğer baygınlık hali, baş dönmesi ve nefes darlığı hissediyorsanız cihaz kullanımını hemen durdurunuz.
17. Egzersiz için uygun elbise ve ayakkabı giyiniz. Koşu bandına takılmayacak, dar giysileri tercih ediniz. Cihazı ayakkabısız, sandalet vb. ile değil her zaman spor/koşu ayakkabılarıyla kullanınız.
18. Koşu bandını yalnızca üretici tarafından beyan edilen ve tasarlanan amaç için (evde kullanım) kullanın. Azami sürekli çalışma süresi 50 dakikadır & maksimum 150 kg'a kadar kullanıcı ağırlığı için uygundur.

Lütfen cihazı/koşu bandını kullanmadan önce kılavuzdaki ayrıntıları dikkatli bir şekilde okuyunuz.

TOPRAKLAMA TALİMATLARI

Cihazın öncelikle topraklanması gerekmektedir. İşlev bozukluğu veya arıza ortaya çıkması durumunda, topraklama, elektrik çarpması riskini azaltmak amacıyla elektrik için asgari bir direnç koridoru sunar.

Koşu bandı iletken ve topraklama fişli bir kablo ile donatılmıştır. Fişin, yerel standartlar ve yönetmeliklere uygun şekilde takılmış ve topraklanmış elektrik panosu sigortasından 16 AMPER (AMP) akım şiddetinde uygun prize bağlanması gerekmektedir.

TEHLİKE – Ekipman topraklamasının yanlış bağlanması elektrik çarpması riskini ortaya çıkarabilir.

Cihazın doğru şekilde topraklandığından emin değilseniz uzman bir elektrikçiye danışın.

Ürünle verilen fişin evinizdeki prize uymaması durumunda, fişi değiştirmeye çalışmayın.

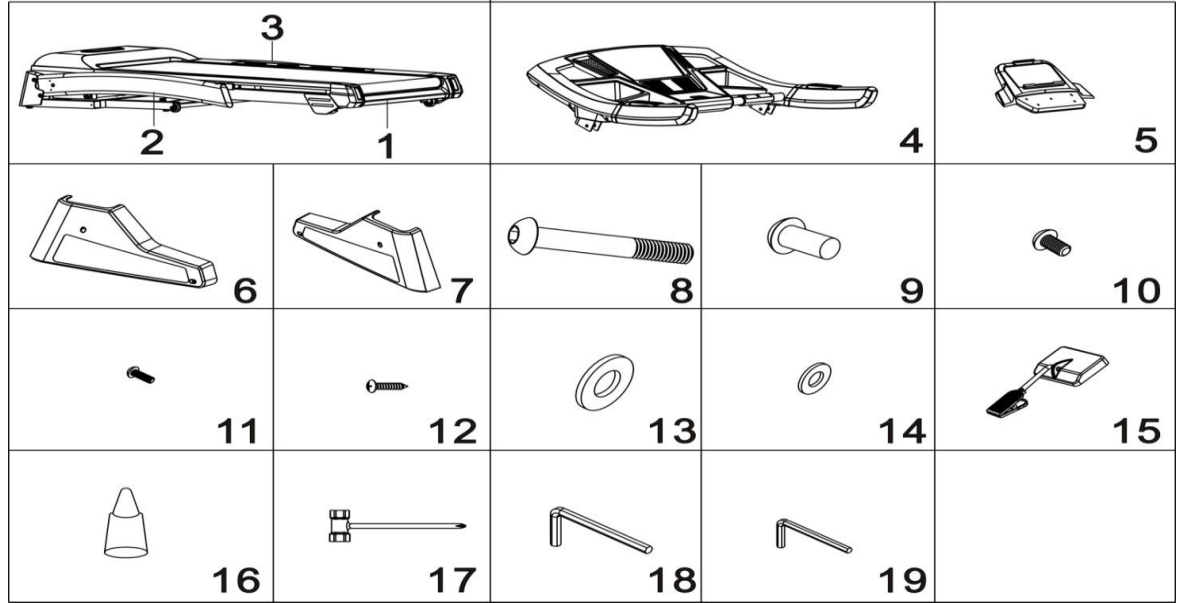
Uzman bir elektrikçiden destek alarak uygun prizi monte edin.

220-240 volt gerilimde kullanım için olan, şekilde gösterilen sokete benzeyen bir topraklama fişine ve fiş çıkışında aynı yapılandırmaya sahip cihazlarda herhangi bir adaptör kullanmaya gerek yoktur.



-- FİŞİN TOPRAKLANMASI---

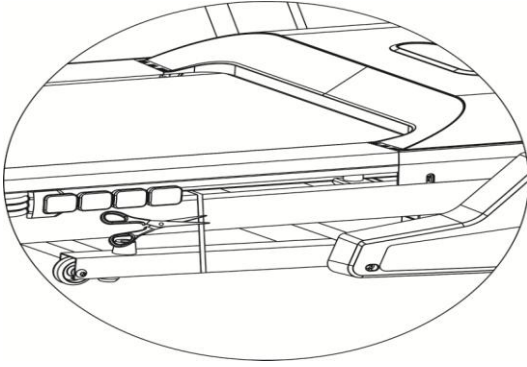
KOLİYİ AÇTIĞINIZDA BULACAĞINIZ PARÇALAR



PARÇA LİSTESİ

No.	Tanım	Adet	No.	Tanım	Adet
1	Main Frame	1	11	Screw M5*12	4
2	Left upright	1	12	Screw M4*15	4
3	Right upright	1	13	Flat washer M10	6
4	Console	1	14	Flat washer M8	4
5	IPAD rack	1	15	Safety key	1
6	Base cover-Right	1	16	Silicon oil	1
7	Base cover-Left	1	17	Screw Driver	1
8	Bolt M10*55	2	18	Allen wrench 6mm	1
9	Bolt M10*20	4	19	Allen wrench 5mm	1
10	Bolt M8*15	4			

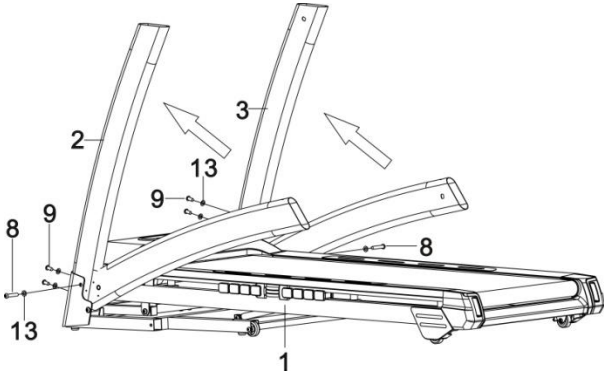
AŞAMA 1



1. Cihazın kurulumu için en az 2 kişi gerekmektedir.
2. Kutuyu açarak, paketlenme (köpük vb.) malzemelerini çıkartın.
3. Fotoğrafta gösterildiği gibi, bant tabanını kutudan çıkartıp düz bir yere yerleştirdikten sonra plastik emniyet kemerini kesin.

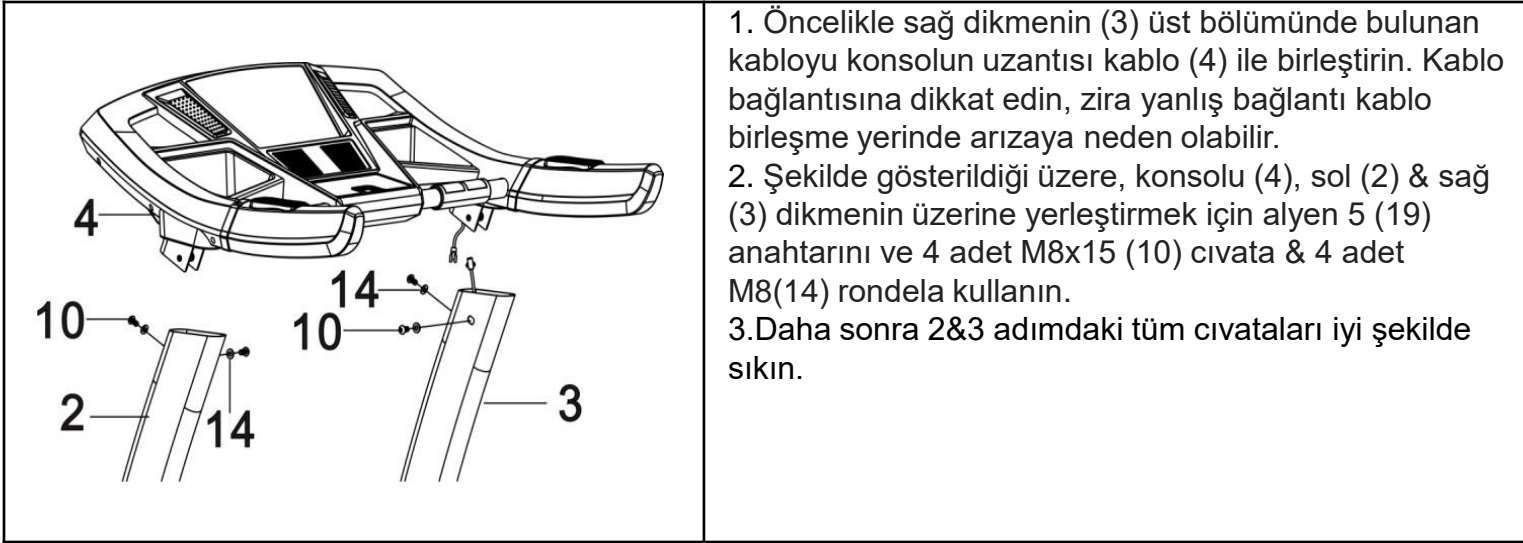
Uyarı: Cihazın konsolu ayrı bir koliye paketlenmiş halde bant tabanının altında bulunmaktadır. Lütfen bant tabanının ambalajını açarken dikkat ediniz.

AŞAMA 2

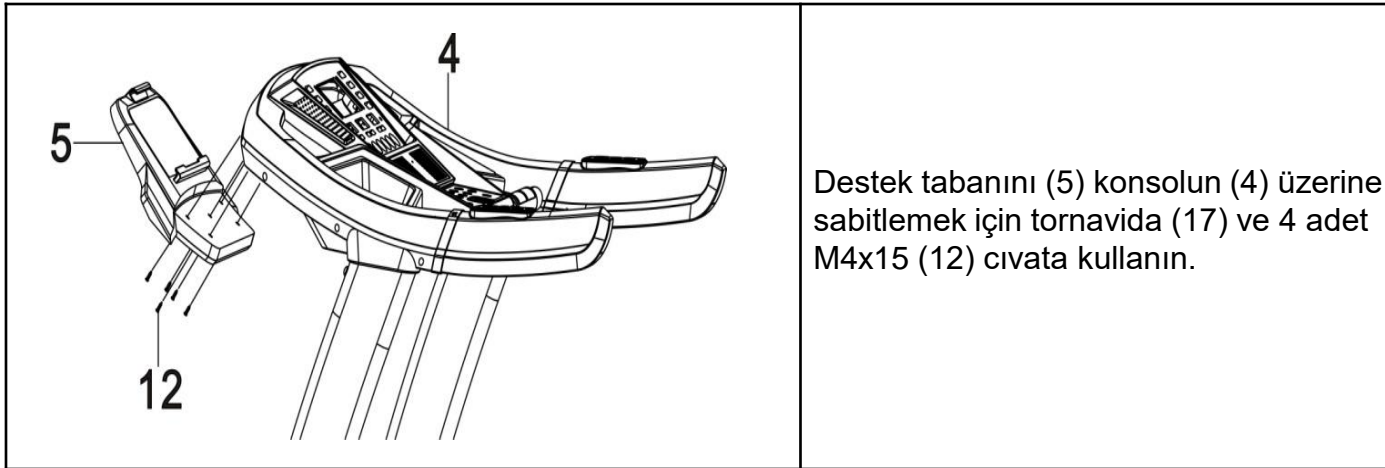


1. Sol dikmeyi (2) ve sağ dikmeyi (3) kaldırın & ana şasiye sabitleyin (1). Ailen 6 (18) anahtarını kullanın & her bir yana 1 adet M10x55 (8) cıvata, 2 adet M10x20 (9) cıvata & 3 adet M10 (13) rondela yerleştirin. Dikmeleri ana şasiye yerleştirirken kabloya zarar vermemeye özen gösterin.
2. Bu adımda cıvata & cıvataları sıkmayın.

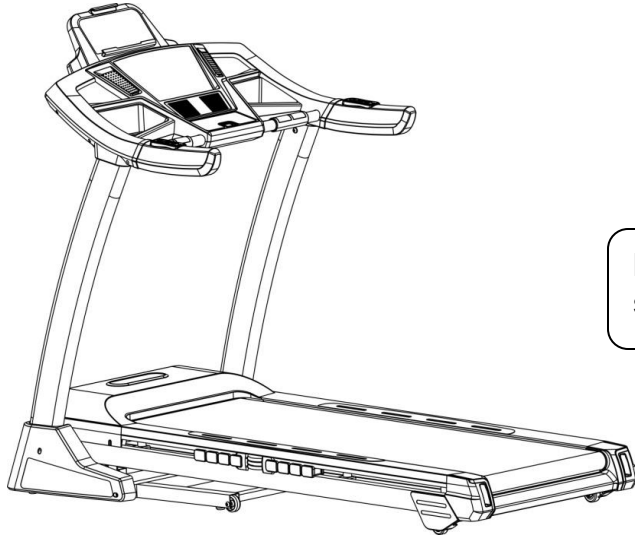
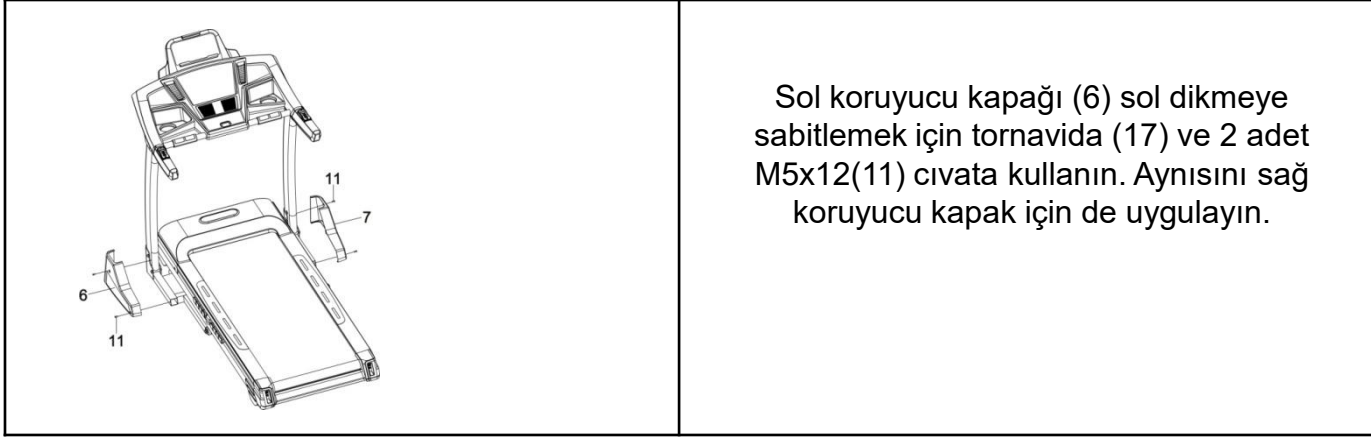
AŞAMA 3



AŞAMA 4



AŞAMA 5



NOT: Güvenliğiniz ve konforunuz için, montajı tamamladıktan sonra vidaları doğru şekilde sıkıp sıkmadığınızı kontrol edin!

GÜVENLİĞİNİZ İÇİN GENEL UYARILAR

- A. Antrenmanınıza başlamadan önce, koşu bandının kullanımını iyi bildiğinizden emin olmak için kılavuzdaki talimatları okumak siz kullanıcının kendi bireysel sorumluluğundadır.
- B. Güvenlik anahtarını konsolun üzerine yerleştirin (koşu bandı güvenlik anahtarı olmadan çalışmayacaktır). Anahtarın klipsli diğer ucunu, kullanıcının doğru şekilde kullanmaması durumunda koşu bandının duracağını garanti etmek için kıyafetinize bağlayın.
- C. Kullanıcının koşu bandından düşmesi durumunda güvenlik anahtarı yerinden çıkacak ve koşu bandı herhangi bir yaralanmanın kaçınılması için hemen duracaktır.
- D. Koşu bandı hareket edene kadar daima cihazın gövdesinin yan taraflarında bulunan plastik ayak koyma yerlerinde durunuz
- E. Start düğmesine basıldığında koşu bandı 3,2,1,0 şeklinde geri sayım gerçekleştirir ve 1.0 km/saat hızla düşük hızda çalışmaya başlar. Koşu bandı kullanımında tecrübeniz yoksa alışınca kadar düşük hızda kalın ve tutma kollarına sıkı şekilde tutun.

HIZLI KULLANIM KILAVUZU



KONTROL PANELİ FONKSİYONU

ZAMAN: Toplam egzersiz süresini 0:00 ile 99:00 dakika arasında hesaplar.

NABIZ: Nabzınızı ölçmek için hem sağ hem sol tutacakta bulunan her iki metal nabız sensörlerini tutmalısınız. Nabzınızın dakikada 50-200 arası olan geçerli değerini ekranda görebilirsiniz.

HIZ: Koşu bandının 1km/h ile 20km/h arasındaki geçerli hızı ekranda görünür.

KALORİ: Egzersiz esnasında toplam kalori tüketimini hesaplar. Maksimum kalori değeri 990'dır.

MESAFE: Kat edilen toplam mesafeyi kilometre cinsinden 0 dan 99,9 kadar hem ileriye hem de geriye doğru hesaplar.

Eğim: Ekran %1 ile %15 arasında başlayarak cihazın eğimini gösterir

BAŞLAMAK İÇİN

NOT:

1. Cihazın hareketini hiç bir şeyin engellemediğinden emin olunuz.
2. Güç kablosunu bağlayın ve cihazı çalıştırınız.
3. Sağ ve sol tarafta bulunan plastiğin üzerinde pozisyon alınınız.
4. Güvenlik anahtarındaki clips'i giysinizin üzerine takınız.
5. Güvenlik anahtarını konsoldaki girişe yerleştirin, sonrasında cihaz başlamaya hazır olacak.
6. Her iki tutacağıın üzerinde, sağ tarafta + ve – hız, sol tarafta ise + ve – eğim tuşları yer almaktadır. Aynı fonksiyonlara cihazın ana ekranında da erişim bulunmaktadır.
7. STOP düğmesine bastığınızda, herhangi bir mod'da egzersiz gerçekleştiriyor olsanız bile cihaz duracaktır. Egzersizinize devam etmek istiyorsanız, START tuşuna basmanız halinde önceki tüm veriler aynı şekilde kalır ve cihaz 4 saniye sonra hareket etmeye başlar. Cihazın beklemede olmasını istiyorsanız, bandı duraklattıktan sonra bir kez daha STOP düğmesine basınız.
8. Egzersizinizi başlatmanız için iki seçeneğiniz vardır:

A.QUICK START

Egzersize başlamak için sadece START tuşuna basın.

B.SELECT A PROGRAM (Bir program seçin).MODE (Seçenek) düğmesine basarak sonra PROGRAM düğmesi ile ayarlanmış 64 hazır programdan birini seçin ve ardından START 'a basın.

ÇALIŞMA HIZLI BAŞLANGIÇ

ADIM 1: Güvenlik anahtarını bilgisayara bağlayın. Koşu bandı bekleme modundadır.

ADIM 2: START tuşuna basın. 5 saniyelik geri sayımın ardından koşu bandı harekete geçecektir. Bilgisayardan dilediğiniz zaman istediğiniz hızı ayarlamak için SPEED +/- veya hız kısa yol tuşlarını kullanın. Hız, aynı zamanda sağ tutma kolundaki tuşlardan da ayarlanabilir. Bilgisayardan dilediğiniz zaman istediğiniz yatma değerini ayarlamak için INCLINE +/- veya ı yatma kısa yol tuşlarını kullanın. Yatma değeri, aynı zamanda sol tutma kolundaki tuşlardan da ayarlanabilir.

ADIM 3: Nabız ölçümü için tutma kollarındaki sensörleri sıkı şekilde kavrayın. Ekranda kesin ölçümü görebilmeniz birkaç saniye alabilir. Nabız sayısı PULSE penceresinde görünecektir.

ADIM 4: Antrenmanınızı sonlandırmak için STOP tuşuna basın veya koşu bandının çalışmasını durdurmak için güvenlik anahtarını yerinden çekin. STOP tuşuna bastığınızda program duracaktır. Eğer antrenmanınıza devam etmek isterseniz, START tuşuna basabilirsiniz. Önceki tüm veriler kaldığınız yerden saymaya devam edecektir. Koşu bandı 4 saniye geri sayımın ardından çalışmaya başlayacaktır.

ADIM 5: Hızlı başlatma sırasında zaman, kalori ve mesafe işlevleri yukarı doğru sayım gerçekleştirir.

NOT: MANUEL PROGRAM SEÇİMİ

Bir programın çalışması kapsamında, mesafe, kalori veya süre seçmiş olmanız durumunda, ilgili program daima geriye doğru sayım gerçekleştirir.

Antrenmanınız süresince program sonlandığında, koşu bandı otomatik olarak duracaktır. Devam etmek isterseniz START tuşuna basın. Koşu bandı 5 saniye sonra aktif hale geçecektir.

ADIM 1: Güvenlik anahtarını ekran üzerine yerleştirin. Koşu bandı çalışmaya hazır konumdadır.

ADIM 2: MODE seçim tuşuna bastığınızda ekranda, süreyi gösteren pencerede 30:00 göstergesi belirir. Ardından sürenin 8:00 ila 99:00 dakika arasında geri sayımını ayarlamak için SPEED +/- tuşlarına basın.

Şayet sürenin geri saymasını arzu etmiyorsanız farklı bir uygulama seçebilirsiniz. SPEED +/- tuşlarına basmayın, ancak derhal MODE tuşuna basın. Ekranda kalori/mesafe hesaplayan pencerece 1.0 göstergesi belirir. O zaman, 1.0 km ila 99.0 km arasında mesafe ölçümü ayarlamak için SPEED +/- tuşlarına basabilirsiniz.

Şayet mesafenin ölçülmesini arzu etmiyorsanız farklı bir uygulama seçebilirsiniz. SPEED +/- tuşlarına basmayın, ancak derhal MODE tuşuna tekrar basın. Ekranda kalori/mesafe hesaplayan pencerece 20 göstergesi belirir. O zaman, 20 kcal ila 990 kcal arasında kalori ölçümü ayarlamak için SPEED +/- tuşlarına basabilirsiniz.

ADIM 3: Manuel program seçimini gerçekleştirdikten sonra START tuşuna basınız. Koşu bandı 4 saniye sonra aktif hale geçecektir.

ADIM 4: Program süresince hız seviyesini ekrandaki SPEED +/- tuşuna & yatma değerini INCLINE +/- tuşuna basarak ayarlayabilirsiniz. Hız seviyesi & yatma değeri ayrıca tutma kollarında yer alan düğmelerden de ayarlanabilir.

ADIM 5: Antrenmanınızı sonlandırmak STOP tuşuna basın veya panodan güvenlik anahtarını çekin. Koşu bandı derhal duracaktır. STOP tuşuna basın ve program derhal duracaktır. Devam etmek isterseniz START tuşuna basın. Koşu bandı 4 saniye sonra aktif hale geçecek ve kaldığınız yerden devam edecektir. Koşu bandını duraklattıktan sonra koşu bandının bekleme modunda kalmasını istiyorsanız STOP tuşuna basın.

NOT: HAZIR PROGRAMLAR

Tüm hazır programlar on sekiz temel bölüme ayrılmıştır ve hız her bölüm için önceden ayarlanmıştır. Her programdaki 18 bölüm arasında geçen zaman, seçtiğiniz süreye göre otomatik olarak ayarlanır.

8 farklı egzersiz hedefi için 8 önceden ayarlanmış program ve her egzersiz hedefi için 8 farklı yoğunluk seviyesi bulunmaktadır.

ADIM 1: Güvenlik anahtarını ekran üzerine yerleştirin. Koşu bandı çalışmaya hazır konumdadır.

ADIM 2: Önceden ayarlanmış sekiz antrenman programı arasında gezinmek ve birini seçmek için PROGRAM tuşuna ve ardından BODYFAT seçeneğine basınız. PROGRAM tuşuna her bastığınızda bir antrenman programı seçersiniz. Programın zorluk derecesini belirledikten sonra, zaman aralığını ayarlamak için speed +/- tuşuna basınız. Her program için varsayılan süre 30:00 dakikadır ve bu süre 8:00 ila 99:00 dakika arasında ayarlanabilir.

ADIM 3: Zaman değerini ayarladıktan sonra, antrenmana başlamak için START tuşuna basın.

ADIM 4: Bir program süresince hız seviyesini ekrandaki SPEED +/- tuşuna veya sağ tutma kolundaki düğmelere basarak ayarlayabilirsiniz. Hız değeri, çalıştığınız bölümdeki zamana karşılık gelir ve bölüm sona erdiğinde hız varsayılan değerlere döner.

ADIM 5: Antrenmanınızı sonlandırmak STOP tuşuna basın veya panodan güvenlik anahtarını çekin. Koşu bandı derhal duracaktır.

NABIZ ÖLÇÜMÜ

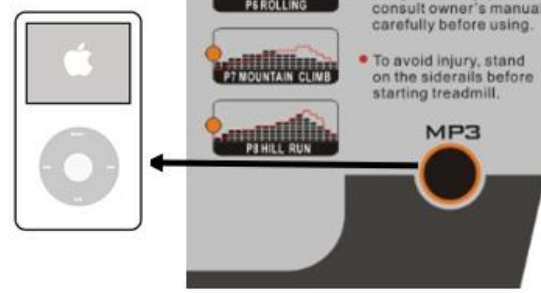
Cihazın ekranında, Pulse penceresinde nabız göstergesi, tutacaklarda bulunan iki sensör eş zamanlı çalışmaktadır. Nabzınızı görmek istediğinizde :

1. İki elinizi de her iki sensöre sabit olacak şekilde yerleştirin. Doğru ölçüm için her iki sensörde tutmanız gerekir.
2. Pulse penceresinde nabzınızı görmek için geçen yaklaşık süre, elinizle sensörleri tutmanızın ardından, 5 saniyedir.
3. Değerler yaklaşık değerlerdir ve kalp nabzının doğru şekilde izlenmesine gerek duyan sağlık sorunu olan kişiler, sunulan değerleri dikkate almamaları gerekir.

SES FONKSİYONLARININ KULLANIMI

Şekilde gösterildiği üzere kablonun bir ucunu bilgisayarın ses girişine, diğer ucunu ise müzik oynatıcı cihazınıza bağladığınızda bilgisayarın hoparlörlerinden müzik sesi gelmeye başlayacaktır.

Not: Ses seviyesi sadece müzik oynatıcı cihazınızdan ayarlanabilir.



MP3 PLAYER GİRİŞİ

Koşu bandı bilgisayarı MP3 ile çalışacak şekilde ayarlanmıştır. Aşağıdaki seçenekler takip edilerek kullanılabilir. Koşu bandı güç anahtarını açın, cihazın mavi ekranının aktif hale gelmesi için güvenlik anahtarını yerleştirin ve ardından ilgili USB bellek aygıtını konsolun USB bağlantı noktasına takın.

İlgili tuşa basarak sonraki müzik arşivi seçilir.



İlgili tuşa basarak önceki müzik arşivi seçilir.



İlgili tuşa basarak cihazın hoparlörlerinde ses seviyesini yükselteceksiniz.



İlgili tuşa basarak cihazın hoparlörlerinde ses seviyesini alçaltacaksınız.



AKILLI (SMART) CİHAZLA BAĞLANTI

ADIM 1: Akıllı cihazınızın Bluetooth özelliğini aktif hale getirin & cihazı arayın. Ardından cihazınızın bağlanması & RUN MUSIC seçeneği belirdiğinde eşleştirmenin gerçekleşmesi için (ok) tuşuna tıklayın.

ADIM 2:Bağlantı kurduktan sonra, akıllı cihazınızdan gelen ses, koşu bandının hoparlörleri tarafından çalınacaktır.

Haritalar, gerçek rotalar, interaktif antrenman videoları ve antrenman verilerinizin bir dosyasına sahip olan **i Console+** uygulamasını içermektedir.

Android için Google Play'den ve IOS için APP Store'dan **i Console +** uygulamasını akıllı telefonunuza veya tabletinize indirin



iConsole Global



Kinomap uygulaması ile uyumludur (abone olman gereklidir). **Kinomap** uygulamasını akıllı telefonunuza veya tabletinize indirin (Android için Google Play & IOS için APP Store).

İnteraktif videolar ve rotalarla antrenman yap ve koşu bandı otomatik olarak seçtiğin rotaya göre eğimini ayarlayacaktır.

Bütün dünyayı keşfet, performansını izle, tüm Kinomap topluluğuyla deneyimini paylaş.

Kinomap uygulamasının diğer kullanıcılarını davet edin ve onlarla rekabet edin veya hatta önceki performanslarınızdan herhangi birini aşarak kendi başınıza da antrenman yapabilirsiniz!



YAĞ ORANI ÖLÇÜMÜ GÖSTERGESİ

1 Adım: Bu fonksiyon vücudunuzun yağ oranını, vücut durumunuzun temel bilgilerine göre değerlendirir.

Bunlar yaklaşık değerlerdir ve tıbbi tedavi gören veya vücuttaki yağ oranının doğru şekilde izlenmesine gerek duyan sağlık sorunu olan kişiler, sunulan değerleri dikkate almamaları gerekir.

2. Adım: PROGRAM tuşuna art arda basın, dokuzuncu basışınızda ekrandaki TIME penceresinde FAT göstergesi görünecektir. İlgili parametreleri düzenlemek için MODE tuşuna basarak, cinsiyet, yaş, boy ve kilonuzu giriniz.

3 Adım: Vücut yağı fonksiyonuna girdikten sonra, SPEED penceresinde F1 rakamı görünür, PULSE penceresinde 1 rakamı görünür ve cinsiyeti temsil eder. SPEED +/- tuşuna basarak (1-2) cinsiyeti ayarlayınız. 1 erkek, 2 kadın cinsiyetini temsil eder. Ardından bir sonraki adıma geçmek için MODE tuşuna basınız.

4. Adım: MODE tuşuna bastıktan sonra, SPEED penceresinde F2 görünür, PULSE penceresinde ise 25 görünür ve yaşı temsil eder. SPEED +/- tuşuna basarak 1-99 arasında yaşınızı ayarlayınız. Ardından bir sonraki adıma geçmek için MODE tuşuna basınız.

5. Adım: MODE tuşuna bastıktan sonra, SPEED penceresinde F3 görünür, PULSE penceresinde 170 görünür ve boyu temsil eder. SPEED +/- tuşuna basarak boyunuzu 100cm-199cm arasında ayarlayınız. Sonrasında bir sonraki adıma geçmek için MODE tuşuna basın.

6. Adım: MODE tuşuna bastıktan sonra , SPEED penceresinde 4 görünür, PULSE penceresinde 70 görünür ve kiloyu temsil eder. SPEED +/- tuşuna basarak kilonuzu 20kg-150kg arasında ayarlayınız. Sonrasında bir sonraki adıma geçmek için MODE tuşuna basın.

7. Adım: Vücudunuzun durumu hakkında girilen tüm veriler tamamlandıktan sonra, MODE tuşuna basınca SPEED penceresinde "5" görünecektir, PULSE penceresinde ,"000" görünecektir. Bu durum hesaplanmanın başlangıcı anlamına gelir. Hemen tutacaklarda bulunan nabız sensörlerini tutun ve 8 saniye sonra PULSE penceresinde vücut yağ oranı göstergesi belirmelidir.

VÜCUTAKI YAĞ ORANI İÇİN TABLO

Aşağıdaki tabloda vücut yağı için verilen sonuçlar vücut durumunun bir göstergesidir. Koşu bandından aldığınız sonuçlara ve soldaki grafiğe göre, vücudunuzun durumunu kontrol ediniz.

Vücut durumu	Sonuç
Obez	BMI > 30
Kilolu	26 < BMI < 30
Formda	19 < BMI < 25
Zayıf	BMI < 19

BELİRLENMİŞ PROGRAMLAR P1. WEIGHT LOST

SPEED CHANGES		1	2	3	4	5	6	7	8	9	10	11	12	13	14	15	16	17	18
Level 1	SPEED(KM/H)	1	2	2	3	3	3	4	5	6	6	7	6	5	4	4	3	2	2
Level 2	SPEED(KM/H)	1	2	2	3	4	4	5	6	8	8	10	8	8	5	5	3	2	2
Level 3	SPEED(KM/H)	1	2	3	4	5	5	6	8	9	10	12	10	8	7	6	4	3	2
Level 4	SPEED(KM/H)	1	2	3	4	6	7	8	10	11	12	13	11	10	8	7	5	4	2
Level 5	SPEED(KM/H)	2	3	4	5	7	7	8	10	12	14	14	13	12	10	9	6	4	2
Level 6	SPEED(KM/H)	2	3	4	5	7	9	10	12	13	14	14	13	12	10	9	6	5	3
Level 7	SPEED(KM/H)	2	3	5	6	8	9	10	12	13	14	15	13	12	10	9	6	6	3
Level 8	SPEED(KM/H)	2	3	5	6	8	10	12	14	14	15	15	14	13	11	9	7	6	3

P2. CARDIO TRAIN

SPEED & INCLINE CHANGES		1	2	3	4	5	6	7	8	9	10	11	12	13	14	15	16	17	18
Level 1	ELEVATION	1	1	2	3	4	5	6	7	7	8	8	7	7	5	4	2	1	1
	SPEED(KM/H)	1	1	2	2	3	4	5	6	6	7	7	6	6	4	3	2	1	1
Level 2	ELEVATION	1	2	3	4	5	6	7	8	8	9	9	8	8	6	5	3	2	1
	SPEED(KM/H)	1	2	2	3	4	5	6	7	7	8	8	7	7	5	4	2	2	1
Level 3	ELEVATION	1	2	4	5	6	7	8	9	9	10	10	9	9	7	6	4	2	1
	SPEED(KM/H)	1	2	3	4	5	6	7	8	8	9	9	8	8	6	5	3	2	1
Level 4	ELEVATION	2	3	5	6	7	8	9	10	10	11	11	10	10	8	7	5	3	2
	SPEED(KM/H)	2	2	4	5	6	7	8	9	9	10	10	9	9	7	6	4	2	2
Level 5	ELEVATION	2	4	6	7	8	9	10	11	11	12	12	11	11	9	8	6	4	2
	SPEED(KM/H)	2	3	5	6	7	8	9	10	10	11	11	10	10	8	7	5	3	2
Level 6	ELEVATION	3	5	7	8	9	10	11	12	12	13	13	12	12	10	9	7	5	3
	SPEED(KM/H)	2	4	6	7	8	9	10	11	11	12	12	11	11	9	8	6	4	2
Level 7	ELEVATION	4	6	8	9	10	11	12	13	13	14	14	13	13	11	10	8	6	4
	SPEED(KM/H)	3	5	7	8	9	10	11	12	12	13	13	12	12	10	9	7	5	3
Level 8	ELEVATION	5	7	9	10	11	12	13	14	14	15	15	14	14	12	11	9	7	5
	SPEED(KM/H)	4	6	8	9	10	11	12	13	13	14	14	13	13	11	10	8	6	4

P3. FAT BURN

SPEED CHANGES		1	2	3	4	5	6	7	8	9	10	11	12	13	14	15	16	17	18
Level 1	SPEED(KM/H)	1	1	2	2	3	3	4	4	4	4	4	4	3	2	2	2	1	1
Level 2	SPEED(KM/H)	1	2	2	2	3	3	4	4	5	4	4	4	3	3	2	2	1	1
Level 3	SPEED(KM/H)	1	2	2	3	3	4	4	5	5	5	4	4	4	3	3	2	1	1
Level 4	SPEED(KM/H)	1	2	3	3	3	4	4	5	6	6	5	4	4	4	3	2	2	1
Level 5	SPEED(KM/H)	1	2	3	4	4	5	5	5	6	6	6	5	4	4	4	3	2	1
Level 6	SPEED(KM/H)	1	2	3	4	5	5	6	6	6	6	6	5	5	4	4	3	2	1
Level 7	SPEED(KM/H)	1	2	3	4	5	6	6	7	7	6	6	6	5	5	4	3	2	1
Level 8	SPEED(KM/H)	1	2	3	4	5	6	7	7	7	7	6	6	6	5	5	4	2	1

P4. POWER WALK

SPEED & INCLINE CHANGES		1	2	3	4	5	6	7	8	9	10	11	12	13	14	15	16	17	18
Level 1	ELEVATION	1	1	2	2	3	3	4	5	5	5	5	4	4	3	2	2	1	1
	SPEED(KM/H)	1	2	3	3	5	6	7	8	8	8	8	7	7	5	4	3	2	1
Level 2	ELEVATION	1	1	2	2	3	4	5	6	6	6	6	5	5	4	3	2	1	1
	SPEED(KM/H)	1	2	3	4	6	7	8	9	9	9	9	8	8	6	5	3	2	1
Level 3	ELEVATION	1	1	2	3	4	5	6	7	7	7	7	6	6	4	3	2	1	1
	SPEED(KM/H)	1	2	4	5	7	8	9	10	10	10	10	9	9	7	6	4	2	1
Level 4	ELEVATION	1	2	3	4	5	6	7	8	8	8	8	7	7	5	4	3	2	1
	SPEED(KM/H)	2	3	5	6	8	9	10	11	11	11	11	10	10	8	7	5	3	2
Level 5	ELEVATION	1	2	3	4	6	7	8	9	9	9	9	8	8	6	5	3	2	1
	SPEED(KM/H)	2	4	6	7	9	10	11	12	12	12	12	11	11	9	8	6	4	2
Level 6	ELEVATION	2	3	4	5	7	8	9	10	10	10	10	9	9	7	6	4	3	2
	SPEED(KM/H)	3	5	7	8	10	11	12	13	13	13	13	12	12	10	9	7	5	3
Level 7	ELEVATION	2	3	5	6	8	9	10	11	11	11	11	10	10	8	7	5	3	2
	SPEED(KM/H)	4	6	8	9	11	12	13	14	14	14	14	13	13	11	10	8	6	4
Level 8	ELEVATION	2	4	6	7	9	10	11	12	12	12	12	11	11	9	8	6	4	2
	SPEED(KM/H)	4	7	9	10	12	13	14	15	15	15	15	14	14	12	11	9	7	4

P5. INTERVAL

SPEED CHANGES		1	2	3	4	5	6	7	8	9	10	11	12	13	14	15	16	17	18
Level 1	SPEED(KM/H)	1	2	4	2	4	2	4	2	4	2	4	2	4	2	4	2	4	2
Level 2	SPEED(KM/H)	1	2	5	2	5	2	5	2	5	2	5	2	5	2	5	2	5	2
Level 3	SPEED(KM/H)	1	2	6	2	6	2	6	2	6	2	6	2	6	2	6	2	6	2
Level 4	SPEED(KM/H)	1	3	6	3	6	3	6	3	6	3	6	3	6	3	6	3	6	3
Level 5	SPEED(KM/H)	1	3	7	3	7	3	7	3	7	3	7	3	7	3	7	3	7	3
Level 6	SPEED(KM/H)	2	4	7	4	7	4	7	4	7	4	7	4	7	4	7	4	7	4
Level 7	SPEED(KM/H)	2	4	8	4	8	4	8	4	8	4	8	4	8	4	8	4	8	4
Level 8	SPEED(KM/H)	2	5	8	5	8	5	8	5	8	5	8	5	8	5	8	5	8	5

P6. ROLLING

SPEED CHANGES		1	2	3	4	5	6	7	8	9	10	11	12	13	14	15	16	17	18
Level 1	SPEED(KM/H)	1	2	3	2	1	2	3	2	1	2	3	2	1	2	3	2	1	1
Level 2	SPEED(KM/H)	2	3	4	3	2	3	4	3	2	3	4	3	2	3	4	3	2	2
Level 3	SPEED(KM/H)	2	3	4	5	4	3	4	5	4	3	4	5	4	3	4	5	4	3
Level 4	SPEED(KM/H)	2	4	5	6	5	4	5	6	5	4	5	6	5	4	5	6	5	3
Level 5	SPEED(KM/H)	2	5	6	7	6	5	6	7	6	5	6	7	5	6	7	6	5	3
Level 6	SPEED(KM/H)	3	6	7	8	7	6	7	8	7	6	7	8	7	6	7	8	7	4
Level 7	SPEED(KM/H)	3	7	8	9	8	7	8	9	8	7	8	9	8	7	8	9	8	4
Level 8	SPEED(KM/H)	3	8	9	10	9	8	9	10	9	8	9	10	9	8	9	10	8	4

P7. MOUNTAIN CLIMB

SPEED & INCLINE CHANGES		1	2	3	4	5	6	7	8	9	10	11	12	13	14	15	16	17	18
Level 1	ELEVATION	0	1	1	2	2	3	3	4	4	5	6	7	8	7	6	4	2	0
	SPEED(KM/H)	1	1	2	2	3	3	3	4	4	4	3	3	3	2	2	2	1	1
Level 2	ELEVATION	0	1	2	2	3	3	4	4	5	6	7	8	9	8	6	4	2	0
	SPEED(KM/H)	1	1	2	2	3	3	3	4	4	4	3	3	3	2	2	2	1	1
Level 3	ELEVATION	1	1	2	3	3	4	4	5	6	7	8	9	10	9	8	6	4	2
	SPEED(KM/H)	1	1	2	2	3	3	3	4	4	4	3	3	3	2	2	2	1	1
Level 4	ELEVATION	1	2	2	3	3	4	5	6	7	8	9	10	11	10	8	7	5	3
	SPEED(KM/H)	2	2	3	3	4	4	4	5	5	4	4	4	3	3	3	2	2	2
Level 5	ELEVATION	1	2	3	4	5	6	7	8	9	9	10	11	12	11	10	8	6	4
	SPEED(KM/H)	2	2	3	3	4	4	4	5	5	4	4	4	3	3	3	2	2	2
Level 6	ELEVATION	2	2	3	4	5	6	7	8	9	10	11	12	13	12	10	8	6	4
	SPEED(KM/H)	2	2	3	3	4	4	4	5	5	4	4	4	3	3	3	2	2	2
Level 7	ELEVATION	2	3	4	5	6	7	8	9	10	11	12	13	14	13	10	8	6	4
	SPEED(KM/H)	2	2	4	4	5	5	5	6	6	6	5	5	4	4	4	2	2	2
Level 8	ELEVATION	3	4	5	6	7	8	9	10	11	12	13	14	15	13	10	8	6	4
	SPEED(KM/H)	2	2	4	4	5	5	5	6	6	6	5	5	4	4	4	2	2	2

P8. HILL RUN

SPEED & INCLINE CHANGES		1	2	3	4	5	6	7	8	9	10	11	12	13	14	15	16	17	18
Level 1	ELEVATION	0	0	1	1	2	2	2	3	3	3	4	4	5	5	4	3	2	1
	SPEED(KM/H)	2	2	2	3	3	3	5	5	7	7	9	9	10	8	8	6	4	2
Level 2	ELEVATION	0	0	1	1	2	2	2	3	3	3	4	4	5	6	5	3	2	1
	SPEED(KM/H)	2	2	2	4	4	4	6	6	6	8	8	10	10	8	8	6	4	2
Level 3	ELEVATION	0	0	1	1	2	2	3	3	3	4	4	5	5	6	5	3	2	1
	SPEED(KM/H)	2	2	4	4	4	6	6	6	8	8	10	10	12	10	8	6	4	2
Level 4	ELEVATION	0	1	1	2	2	3	3	4	4	4	5	5	6	7	6	5	3	2
	SPEED(KM/H)	2	2	4	4	6	6	8	8	8	10	10	10	12	12	10	7	5	3
Level 5	ELEVATION	1	1	2	2	3	3	4	4	5	5	6	6	7	8	7	6	3	2
	SPEED(KM/H)	2	4	6	6	6	6	8	8	8	10	10	12	13	12	10	7	5	3
Level 6	ELEVATION	1	2	3	4	4	4	5	5	6	6	7	8	8	8	7	6	3	2
	SPEED(KM/H)	2	4	6	6	6	6	8	8	10	10	12	13	13	12	10	7	5	3
Level 7	ELEVATION	1	2	3	4	5	6	6	7	7	8	8	9	10	10	9	6	3	2
	SPEED(KM/H)	2	4	6	6	8	8	10	10	12	13	13	14	13	12	10	7	5	3
Level 8	ELEVATION	1	2	3	4	6	6	7	7	8	8	9	9	10	12	9	6	3	2
	SPEED(KM/H)	2	4	6	8	10	10	12	12	13	13	14	14	13	12	10	7	5	3

KOŞU BANDININ KATLANMASI

1. Cihazı katlamak istediğinizde öncelikle şalterini kapatmalısınız.
2. Kapatmadan önce cihazda herhangi bir eğim olmadığından emin olunuz.
3. Hizalamak için bant tabanını yukarıya doğru kaldırın ve cihazın geri kalanı ile paralel bir pozisyona getiriniz. Resimde gösterildiği gibi özel destek borusu ile cihazın platformunu sabitleyin.
4. Platformun destek borusu ile doğru konumda olduğundan emin olun.

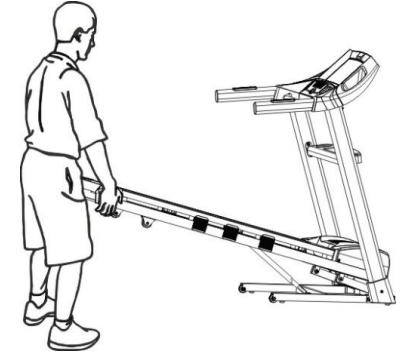
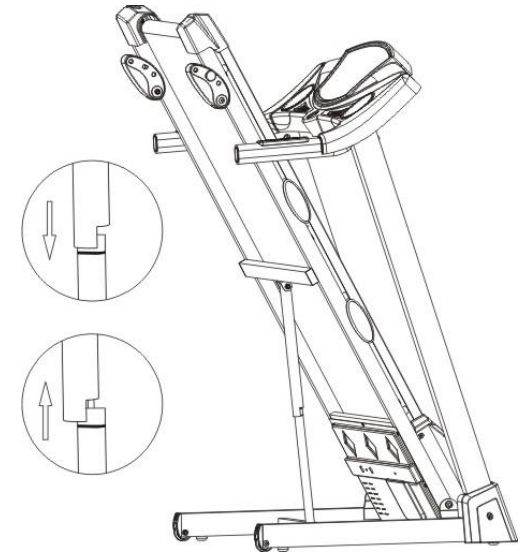
CİHAZIN KATLANMASI

1. Cihazı doğru şekilde katlamak için yeterli alanınız olduğundan emin olunuz. Cihazın düzgün şekilde çalışması ve yerleştirilmesi için cihazın çevresinde bir metre kadar boşluk bırakarak, alanda engelleyecek cisimler olmamasına dikkat ediniz.
2. Sonra cihazı iki elinizle bant tabanından tutarak, emniyetinin açılması amacıyla ayağınızla destek amortisörüne dokununuz ve sonrada sakın şekilde yere doğru itiniz. Ardından bant tabanı otomatik şekilde aşağıya doğru inecektir. Zeminden bir metrelik mesafeye ulaşmadan önce resimde de gösterildiği gibi uygun pozisyona gelmesi için cihazdan bir metrelik mesafe bırakmalısınız.

CİHAZI NASIL TAŞIMALISINIZ

- 1: Şalteri kapatınız.
- 2: Fişi prizden çekiniz.
- 3: Cihazı katlayın.

Ardından ,yukarıda belirtilen 3 temel adımı uyguladıktan sonra, tutacaklardan tutarak yaklaşık 30-40 derece göğüs hizasına kadar kaldırınız. Fotoğraftaki resimde gösterildiği gibi taşıyabilirsiniz.



KOŞU BANDI VE PLATFORMU YAĞLAMA TALİMATLARI

1 ADIM Koşu bandını, dikeyleri yukarı gelecek ve merkezde olacak şekilde yerleştiriniz.

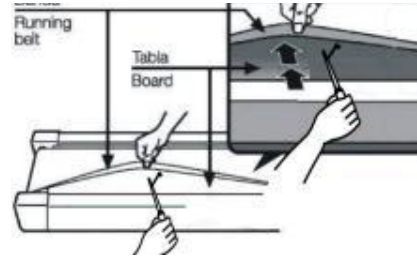
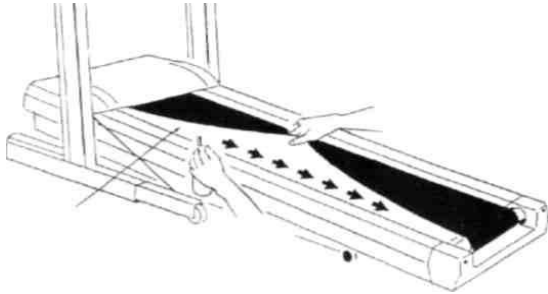
2 ADIM Koşu bandının kenarını kaldırdığınızda, yağlama spreynin ucunu koşu bandı ve tabanı arasına, cihazın 6 (inches) kadar ön kısmına yerleştirin. Silikon spreyi, koşu bandının önünden başlayıp arkaya doğru inerek yayınız. Aynı işlemi koşu bandının diğer tarafı için de tekrarlayınız. Spreyi bandın her iki tarafına da yaklaşık 4 saniye sıkınız.

3 ADIM Koşu bandını kullanmadan önce, spreynin taban üzerinde yayılması için 10 dakika bekleyiniz. Ardından koşu bandını çalıştırın & hızı 3 km'ye ayarlayın & 5 dakika boyunca üzerine kimse çıkmadan çalışır vaziyette bırakın. Koşu bandını 1 saat sonra kullanabilirsiniz. Koşu bandının döşemesini yağlamak zorunda kaldığınız her seferde bu belirli prosedürü uygulamanız gerekmektedir.

ÖNEMLİ UYARI: Koşu bandını aşırı yağlamaktan kaçınınız. Fazla yağ, bir havluyla silinerek temizlenmelidir. Öte yandan, koşu bandı kutusundan çıkartılıp ilk kez monte edildiğinde, kullanılmadan önce, montaj seti içinde yer alan silikon bazlı ağır yağ ile tabanın yağlanması çok önemlidir. Koşu bandının 20 saat seri veya iki ay kullanımından sonra tabanın, sadece spor aletlerinin satıldığı dükkanlardan temin edeceğiniz spreynin şeklindeki silikon bazlı özel yağ ile yağlamanız gerekecek.

Koşu bandının döşemesi sürtünmeli sarf malzemesidir & sağlıklı kullanım için azami ömrü 3 yıldır. Bu süre dolduğunda yetkili servis tarafından değiştirilmesi gerekmektedir. Ayrıca koşu bandı uzun süre kullanılmadığında, döşeme kullanım dışı kaldığından kurur & koşu bandının elektrikli kısımlarında kısa devre oluşturabileceğinden yine değiştirilmesi gerekir.

DİKKAT!!! KOŞU BANDININ YOĞUN KULLANILDIĞI DURUMLARDA DÖŞEMENİN 18 İLE 24 AYLIK ZAMAN ARALIĞINDA DEĞİŞTİRİLMESİ GEREKEBİLİR.



SİLİKON SPREYİ İÇİN UYARI

ÇOCUKLARDAN UZAK TUTUNUZ !!!

Kişi tarafından yutulur veya doğrudan yüze püskürtülürse hemen doktora başvurunuz.

Bu ürün, kullanım talimatlarına uygun şekilde kullanılmadığı takdirde hasara neden olabilir.

Bu ürün yalnızca yağlama amacıyla ve alıcının sorumluluğu altında kullanılması koşulu ile satılmakta olup imalatçıların ve temsilcilerin bu ürünle alakalı hiçbir sorumluluğu bulunmamaktadır.

Temizleme

Cihazdaki tozları elektrikli süpürge veya nemli bir bez ile temizleyiniz. Bant tabanını kaldırarak zemini düzenli olarak temizleyin. Bu cihazın ömrünün uzamasına yardımcı olacaktır.

Bant tabanında veya koşu bandında asla deterjan kullanmayınız.

Deterjan kullanımı bant tabanı ve koşu bandı için gerekli yağlamayı azaltabilir.

Koşu bandını merkezde tutma

Koşuyorken veya yürüyorken, bir ayağınızdan ile diğer ayağınızdan daha fazla güç alabilirsiniz. Bu da bandın merkezden kaymasına neden olur. Bu koşu bandı, bandın her zaman bant tabanı üzerinde ortalanmış ve doğru şekilde hareket etmeye planlanıp tasarlanmıştır.

Bazen bandı merkezde tutmak için ekstra ayarlama gerekebilir.

Bandı ortalamak için, arka silindirin konumunu ayarlamak üzere Allen anahtarını kullanınız.

Koşu bandını ortalama işlemi :

- 1.) Bu işlemi yaparken bol giysiler, kravat veya uzun takılar giymeyiniz.
- 2.) Cıvataları hiç bir zaman tek seferde, bir çeyrekten ($\frac{1}{4}$) fazla çevirmeyiniz.
- 3.) Koşu bandının aşırı şekilde sıkılmasından veya gevşemesinden kaçınmak için her zaman bir tarafı sıkarken diğer tarafı gevşetiniz.
- 4.) Cihazı çalıştırın. Koşu bandının üzerinde kimse olmadan saatte 4 km/h hız ile çalıştırarak ayarını yapınız.

Ayarınızı yaptıktan sonra, kontrol etmek için koşu bandının üzerinde yaklaşık 5 dakika boyunca yürüyünüz. Gerektiği taktirde prosedürü tekrarlayın ancak cıvataları bir çeyrekten fazla asla çevirmeyiniz. Koşu bandının aşırı sıkılması, ömrünü ciddi şekilde azaltabilir.

EĞER BANT ÇOK SOLA KAYMIŞSA:

- Sol silindirin cıvatasını bir çeyrek sağ tarafa doğru çevirin. (sıkma-germe).
- Sağ silindirin cıvatasını bir çeyrek sol tarafa doğru çevirin (gevşetme).

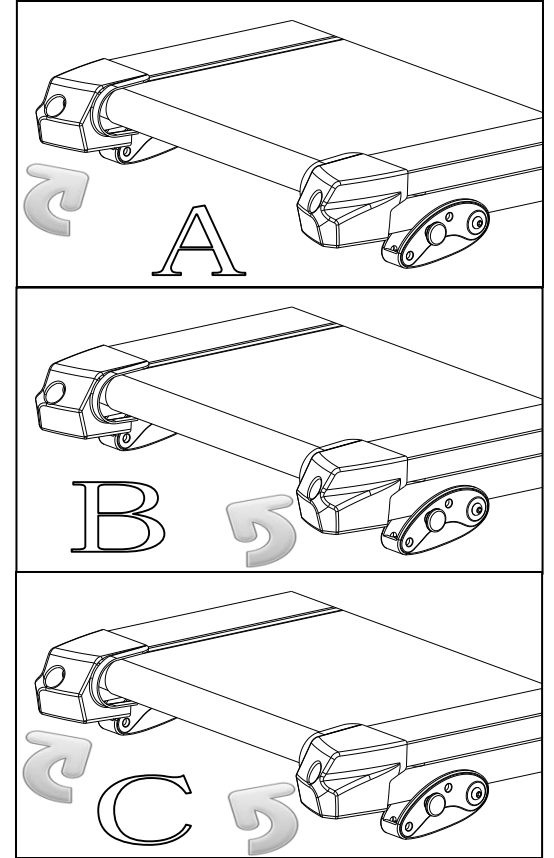
EĞER BANT ÇOK SAĞA KAYMIŞSA:

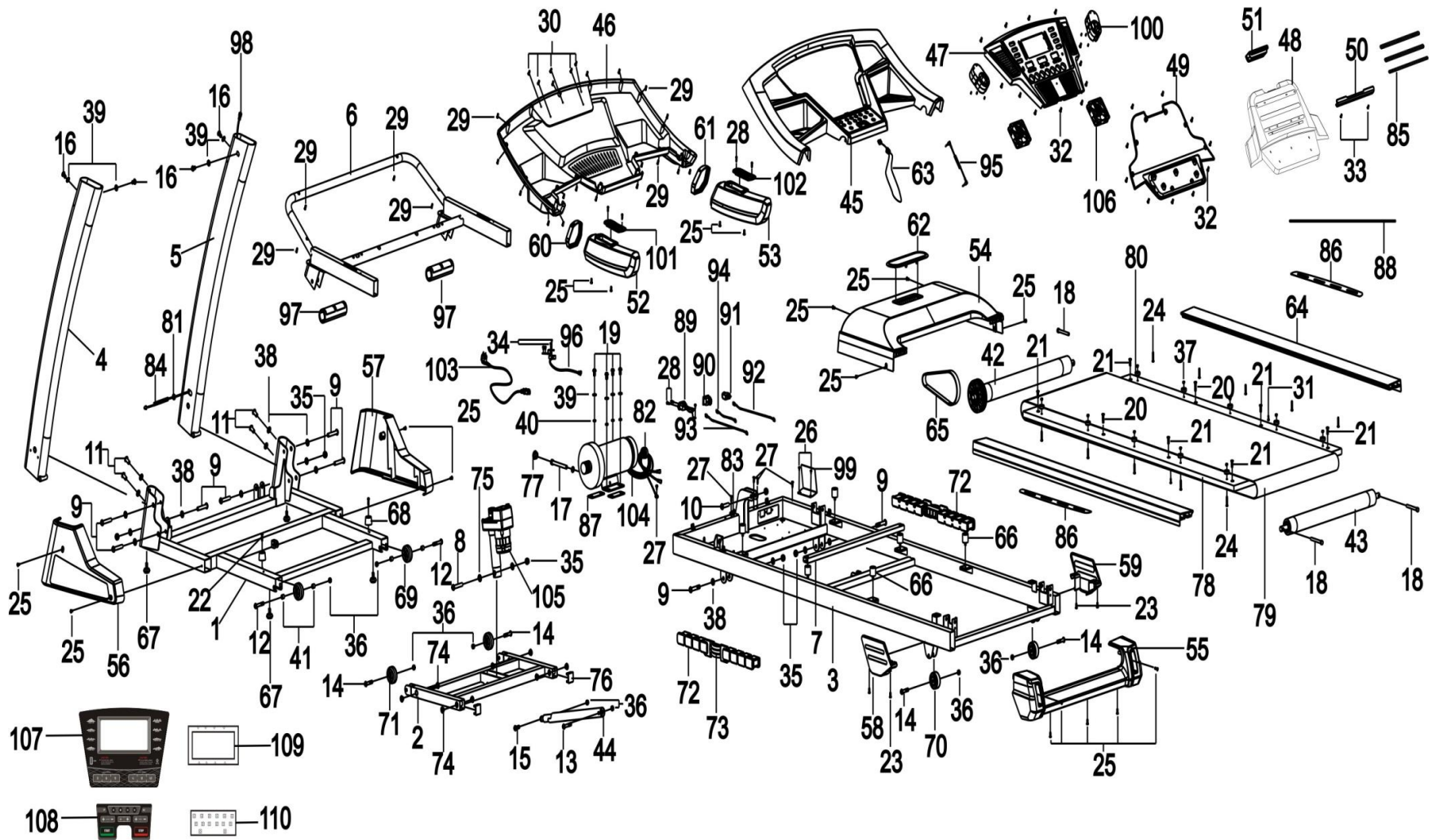
- Sağ silindirin cıvatasını bir çeyrek sağ tarafa doğru çevirin (sıkma-germe).
- Sol silindirin cıvatasını bir çeyrek sol tarafa doğru çevirin (gevşetme).

KOŞU BANDININ GERGİNLİK AYARI

Eğer ayağınızı koşu bandının üzerine koyduğunuzda, kaydığını hissediyorsanız, bu bandın esnediği ve silindirlere kaydığı anlamına gelmektedir. Tüm koşu bantları zamanla esner.

Bu her koşu bandında normal ve alışılmalı bir ayardır. Kaymayı azaltmak için, arka silindirin 2 Allen cıvatasını resimde gösterildiği gibi bir çeyrek çevirin. Cihazın kayıp kaymadığını kontrol etmek için tekrar deneyin. Gerekirse tekrarlayın ancak silindirin cıvatalarını bir çeyrekten fazla çevirmeyin.





NO.	DESCRIPTION	Q'TY	NO.	DESCRIPTION	Q'TY
1	BASE	1	43	REAR ROLLER	
2	INCLINE RACK	1	44	AIR CYLINDER	
3	MAIN FRAME	1	45	CONSOLE PLASTIC HOUSING-UPPER	
4	LEFT UPRIGHT	1	46	CONSOLE PLASTIC HOUSING-BOTTOM	
5	RIGHT UPRIGHT	1	47	COMPUTER PLASTIC	
6	CONSOLE RACK	1	48	IPAD RACK-FRONT CASE	
7	CROSS BAR	1	49	IPAD RACK-BACK CASE	
8	BOLT M10*60	1	50	IPAD RACK	
9	BOLT M10*55	8	51	IPAD FIXED PLATE	
10	BOLT M10*40	1	52	HANDRAIL FOAM-L	
11	BOLT M10*25	4	53	HANDRAIL FOAM-R	
12	BOLT M8*50	2	54	MOTOR COVER	1
13	BOLT M8*45	1	55	REAR END CAP	1
14	BOLT M8*40	4	56	BASE COVER-L	1
15	BOLT M8*28	1	57	BASE COVER-R	1
16	BOLT M8*15	4	58	FRAME WHEEL COVER-L	1
17	BOLT M8*90	1	59	FRAME WHEEL COVER-R	1
18	BOLT M8*65	3	60	HANDRAIL PVC RING-L	1
19	BOLT M8*15	4	61	HANDRAIL PVC RING-R	1
20	BOLT M6*45	2	62	MOTOR COVER LOGO PLATE	1
21	BOLT M6*25	6	63	SAFETY KEY	1
22	BOLT M6*20	2	64	SIDE RAIL	2
23	BOLT M6*10	4	65	MOTOR BELT	1
24	BOLT M5*28	10	66	BASE CUSHION	6
25	BOLT M5*12	17	67	BASE FOOT PAD	4
26	SCREWS M4*15	2	68	BASE CUSHION	2
27	SCREWS M4*12	5	69	MOVING WHEEL	2
28	SCREWS M4*15	2	70	FRAME WHEEL	2
29	SCREWS M4*12	23	71	INCLINE MOVING WHEEL	2
30	SCREWS M4*15	5	72	AIR CUSHION	4
31	SCREWS M4*25	2	73	SPRING CUSHION	2
32	SCREWS M4*10	21	74	PLASTIC BUSHION(FOR INCLINE)	8
33	SCREWS M3*10	2	75	PLASTIC BUSHION FOR INCLINE MOTOR	2
34	SCREWS M3*6	13	76	BASE END CAP	2
35	NUT M10	6	77	END CAP FOR MOTOR	1
36	NUT M8	8	78	RUNNING DECK	1
37	NUT M5	10	79	RUNNING BELT	1
38	FLAT WASHER $\phi 20 \times \phi 10.5 \times T1.5$	14	80	SIDE RAIL FASTENER	10
39	FLAT WASHER $\phi 17 \times \phi 8.5 \times T1.5$	9	81	CABLE GROMMET	1
40	SPRING WASHER	4	82	MAGNETIC RING	1
41	BASE WHEEL SPACER	4	83	CABLE CLIP	1
42	FRONT ROLLER	1	84	WAVE PIPE	1
85	Silicon Pad	1	98	DATA CABLE	1
86	FOOT REST	2	99	CONTROLLER	1
87	RUBBER PAD	2	100	SPEAKER	2
88	ROPE	1	101	LEFT HANDRAIL BUTTON	1
89	POWER SWITCH	1	102	RIGHT HANDRAIL BUTTON	1
90	POWER CORD JACK	1	103	POWER CORD	1
91	CIRCUIT BREAKER	1	104	MOTOR	1
92	RED AC CABLE L=280mm	1	105	INCLINE MOTOR	1
93	BLACK AC CABLE L=280mm	1	106	FAN	2
94	BROWN CABLE L=100mm	1	107	Console Sticker	1
95	AUDIO CABLE	1	108	KEY Pad Sticker	1
96	SENSOR SET	1	109	Console PCB	1
97	HANDRAIL PULSE SET	2	110	KEY Pad	1

ELEKTRİKLİ KOŞU BANDI GARANTİ BELGESİ

Garanti:

Ürünün motor ve elektronik parçaların (Pano-Konsol) satın alındığı tarihten (2) yıl boyunca, Koşu bandı ve tabanının bakımı özel silikon bazlı sprey ile doğru şekilde gerçekleştirilirse (1) yıl boyunca geçerlidir.

Garanti herhangi bir üretim hatasını kapsar.

- Yedek parçanın değiştirilmesi teknisyenlerin takdirine bağlıdır.
- Montaj, kontrol, bandın ayarının ücreti tüketici tarafından karşılanır.
- Ürünün satın alındığı tarihten 14 gün sonra teknisyen tarafından bakımı için şirket tarafından gösterilecek ücret, tüketici tarafından karşılanır. 1 Ürün satın alındığı tarihinden itibaren 14 gün içinde gerçekleşen bir hasarda müşterinin evinden kargo ile teslim alınacaktır. Bu durumda kargo maliyetleri şirket tarafından karşılanır..

(Cihaz kaynaklı bir arıza ise).

2. Ürünün satın alındığı tarih üzerinden 14 gün geçmesi durumunda yaşanan bir hasarda, ürün kargo şirketine müşteri tarafından ulaştırılacaktır. Ürünün kargo şirketinden servis merkezine gönderilme masrafları şirket tarafından karşılanacaktır.

(Cihaz kaynaklı bir arıza ise).

- Garanti yalnızca ürünün ilk alıcısı için geçerlidir.
- Garanti sadece ürünün (spor salonlarında, kulüplerde, ortak alanlarda değil) ev ürünü olarak kullanılması durumunda geçerlidir.
- Hasar mümkün olan en kısa süre içinde onarılır.
- Gerek yedek parça eksikliği gerekse onarımda yaşanan gecikmeyle ilgili olarak müşteri hiçbir tazminat talebinde bulunamaz.

GARANTİ, GEÇERLİ DEĞİLDİR

- Elektrik hatlarının aşırı yüklenmesinde veya dalgalanmasında.
- Hasarın (düşürmek, su, ateş, yıldırım) kötü kullanım veya yetersiz bakım kaynaklı olması durumunda, geçerli değildir.
- Garanti, kablo, sensör, plastik parça, bant gibi sarf malzemelerin kötü kullanımdan veya başka bir nedenden dolayı zarar görmelerini kapsamaz.
- Garanti, üründe öngörülen ağırlık üzerindeki kişiler tarafından kullanılmasıyla veya diğer faktörlerden dolayı motorda oluşan hasarı kapsamaz.
- Garanti, üründe motorda veya elektronik parçalarda veya mekanik parçalarda, koşu bandının aşırı gerginliğinden veya diğer faktörlerden (koşu bandı ve bant tabanında hasar) dolayı oluşan hasarı kapsamaz.
- Garanti cihazın yetkisiz kişiler tarafından onarımını veya bakımını sırasında verdiği hasarı kapsamaz.
- Garanti kötü montajdan oluşan hasarı kapsamaz.
- Garantinin geçerli olması için ürüne alışveriş fişinin/faturasının da eşlik etmesi gerekir.

Yukarıdaki tüm durumlarda, teknik servisin ziyaretinin ve yedek parça masraflarının maliyeti kullanıcıya aittir.

•Şirket ve ithalatçı yazım hatalarından sorumlu değildir.

•Ürün, Avrupa Topluluğu'nda,(CE) pazarlama onayına sahiptir.

* Bölgenizde elektrik hatlarında sorun varsa, gerekli teçhizatın kullanımı için ürünün servisiyle irtibata geçiniz.

INTERSPORT TURKISH
Kozyatağı Mahallesi, Değirmen Sk.
No:18/19B, Nida Kule İş Merkezi KAT:24
TEL. : + 902166551000